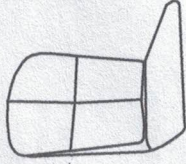
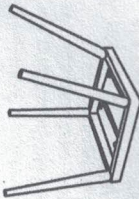

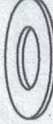
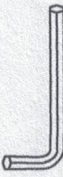
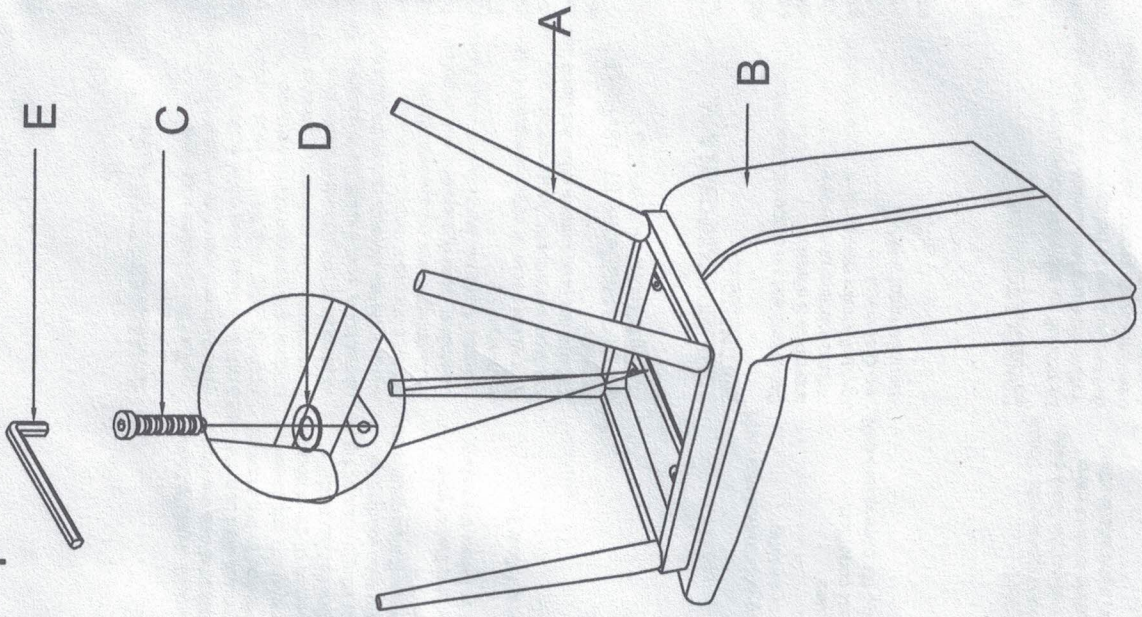


CY-1904S

| | | |
|---|--|---|
| A |  | 1 |
| B |  | 1 |
| C |  10*50mm | 4 |
| D |  10*27mm | 4 |
| E |  M5 | 1 |

step 1



step 2

