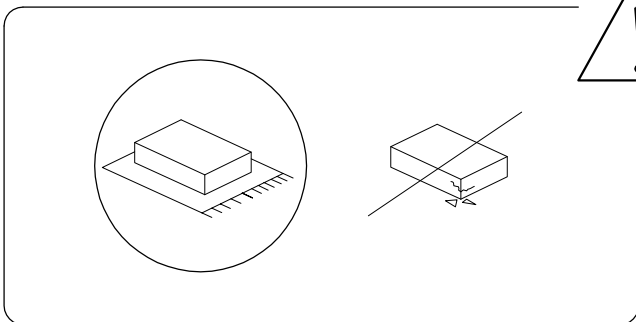
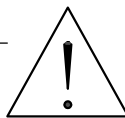


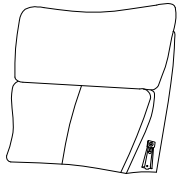
15'



1

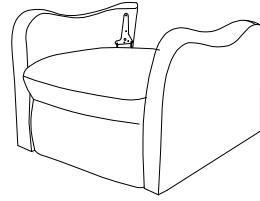
1/4

A

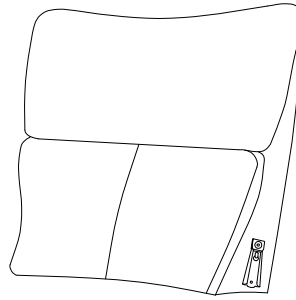


x 1

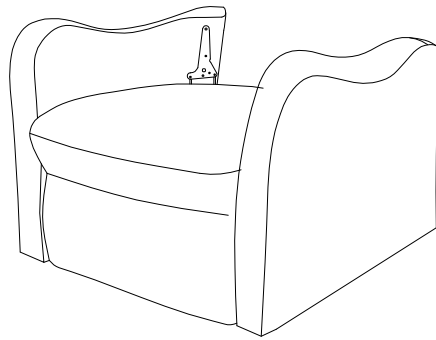
B



x 1



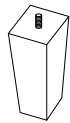
A



B



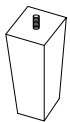
D x 2



C x 2



C



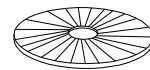
x 2

D



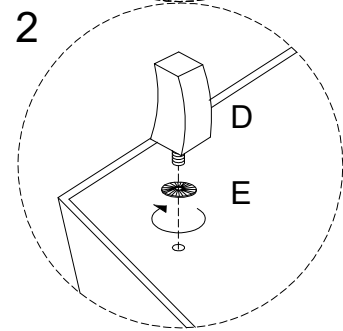
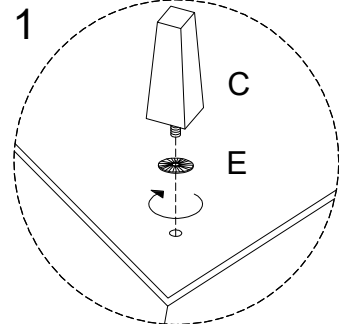
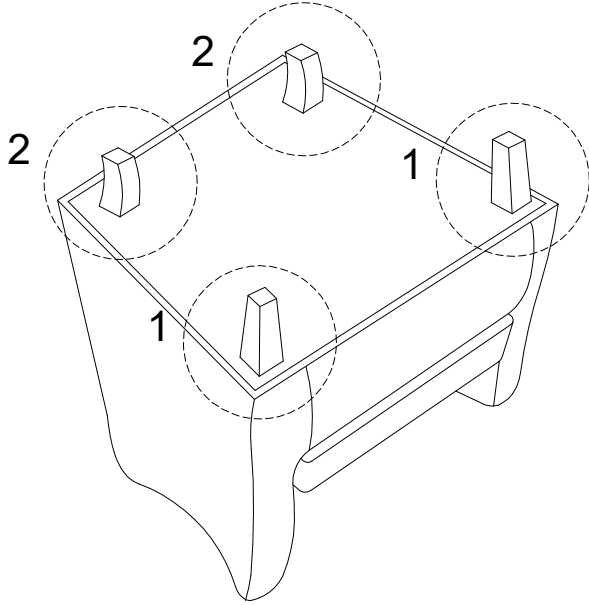
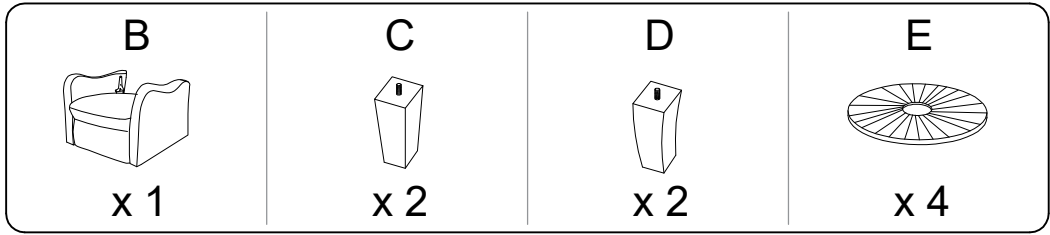
x 2

E

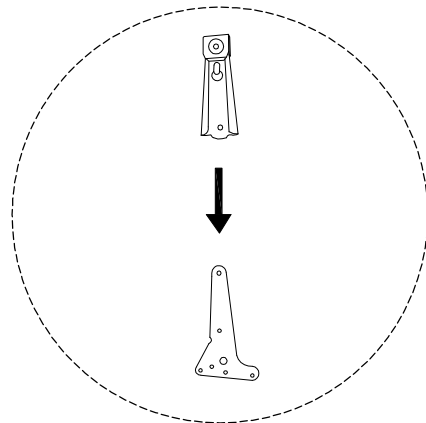
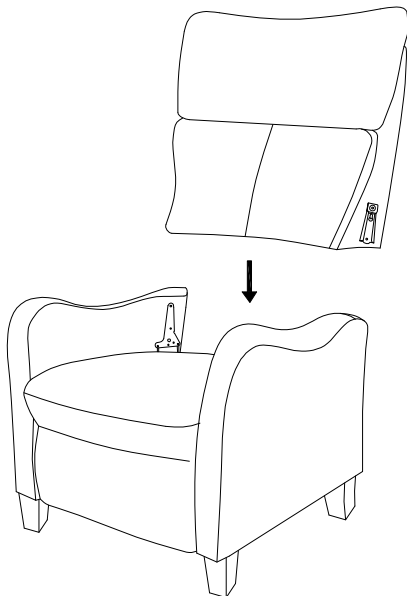
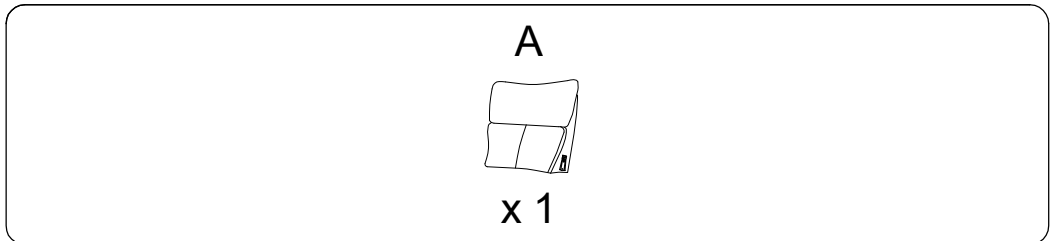


x 4

1



2



!

