




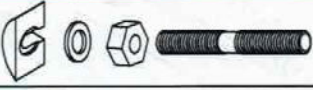

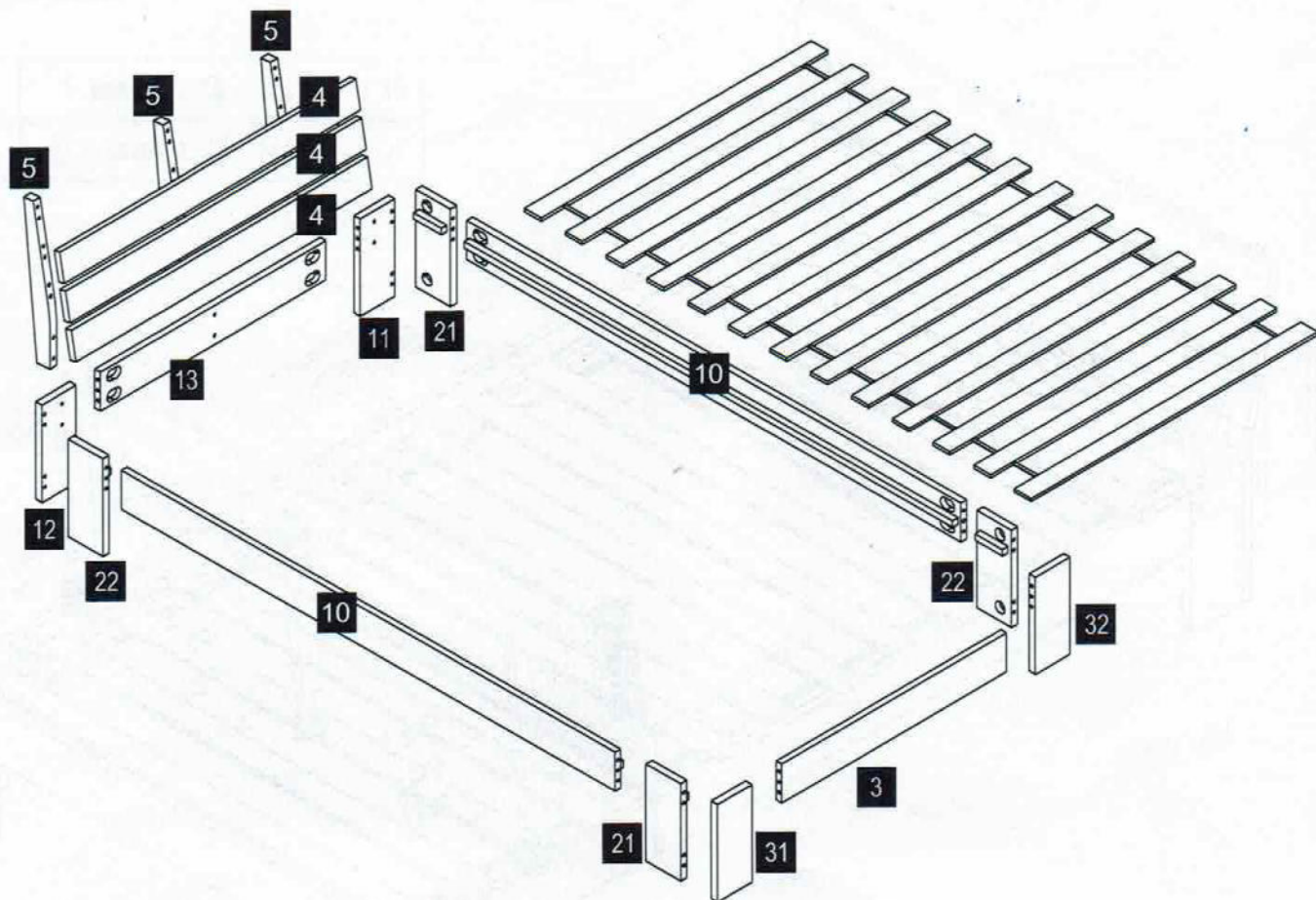
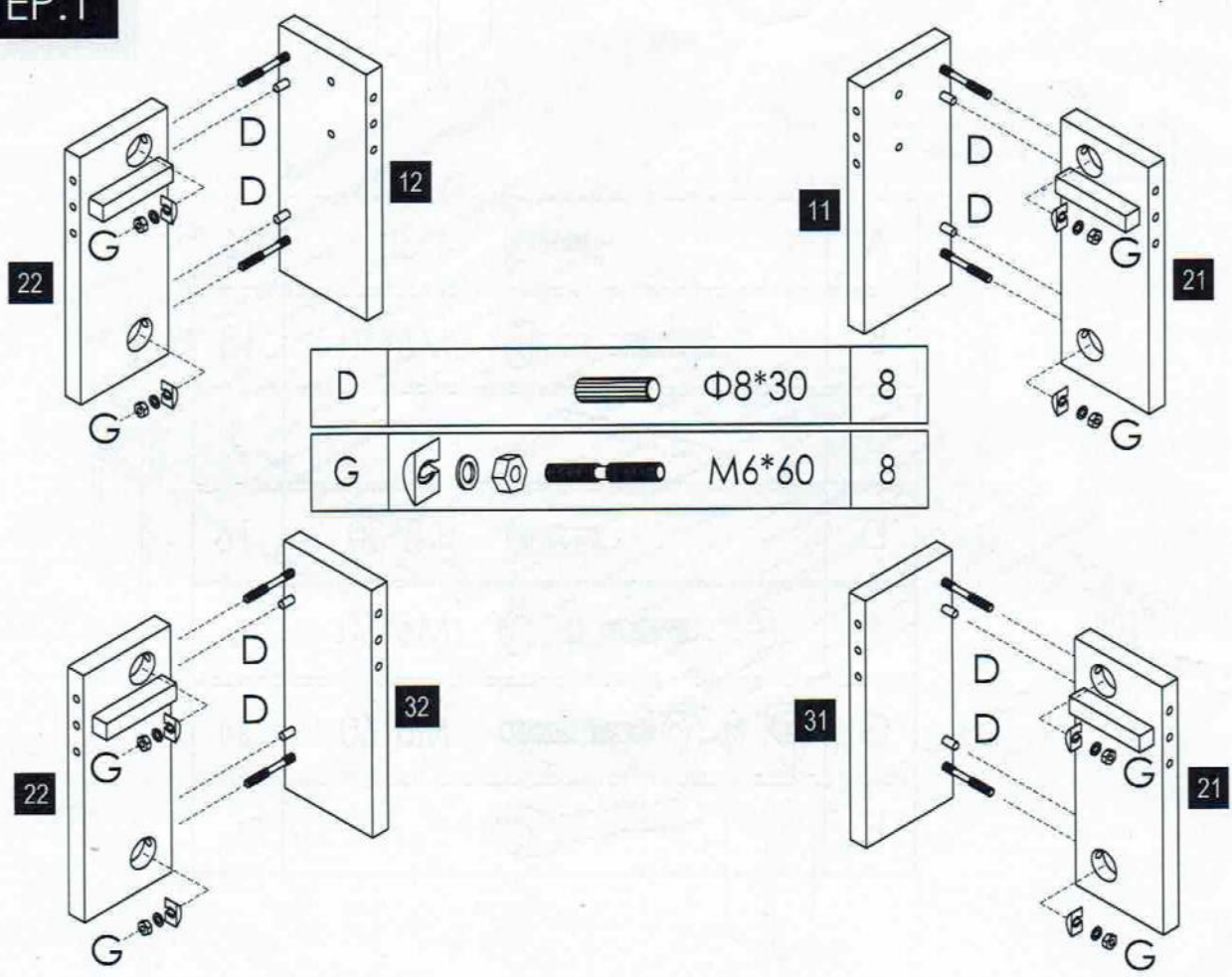




A		4*30	26
B		M6*40	18
C			2
D		Φ8*30	16
F		M6*60	6
G		M6*60	24
H			1

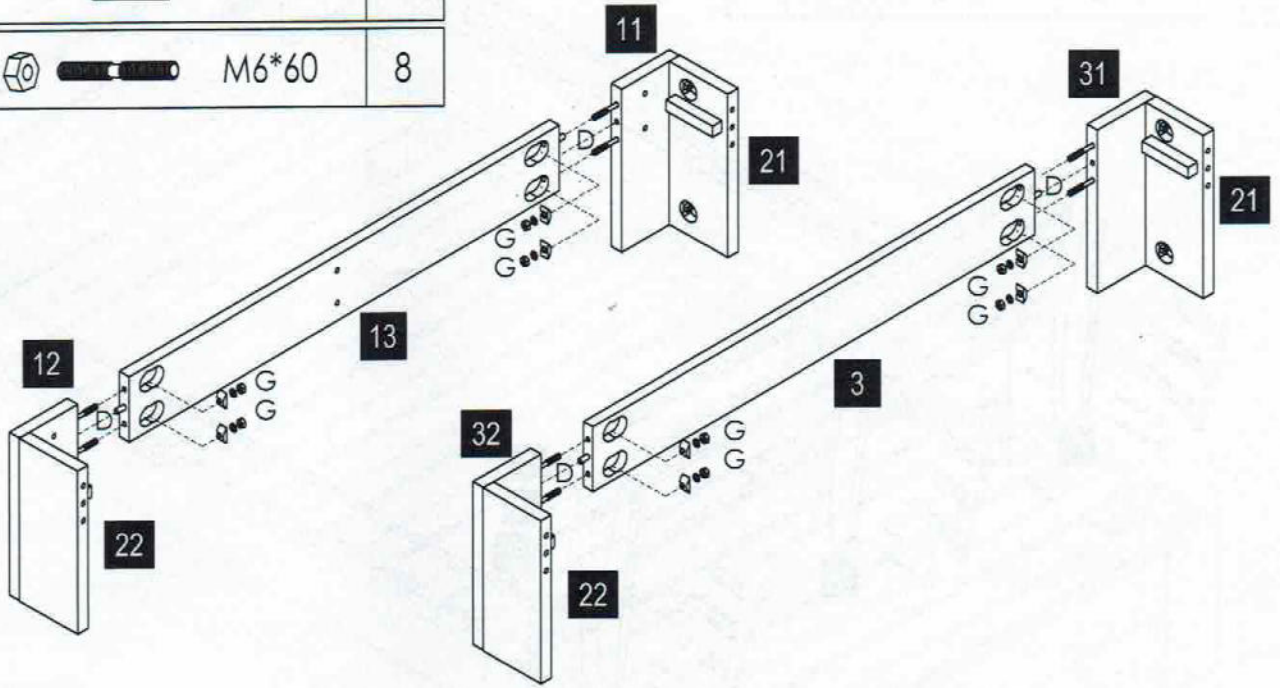


STEP:1





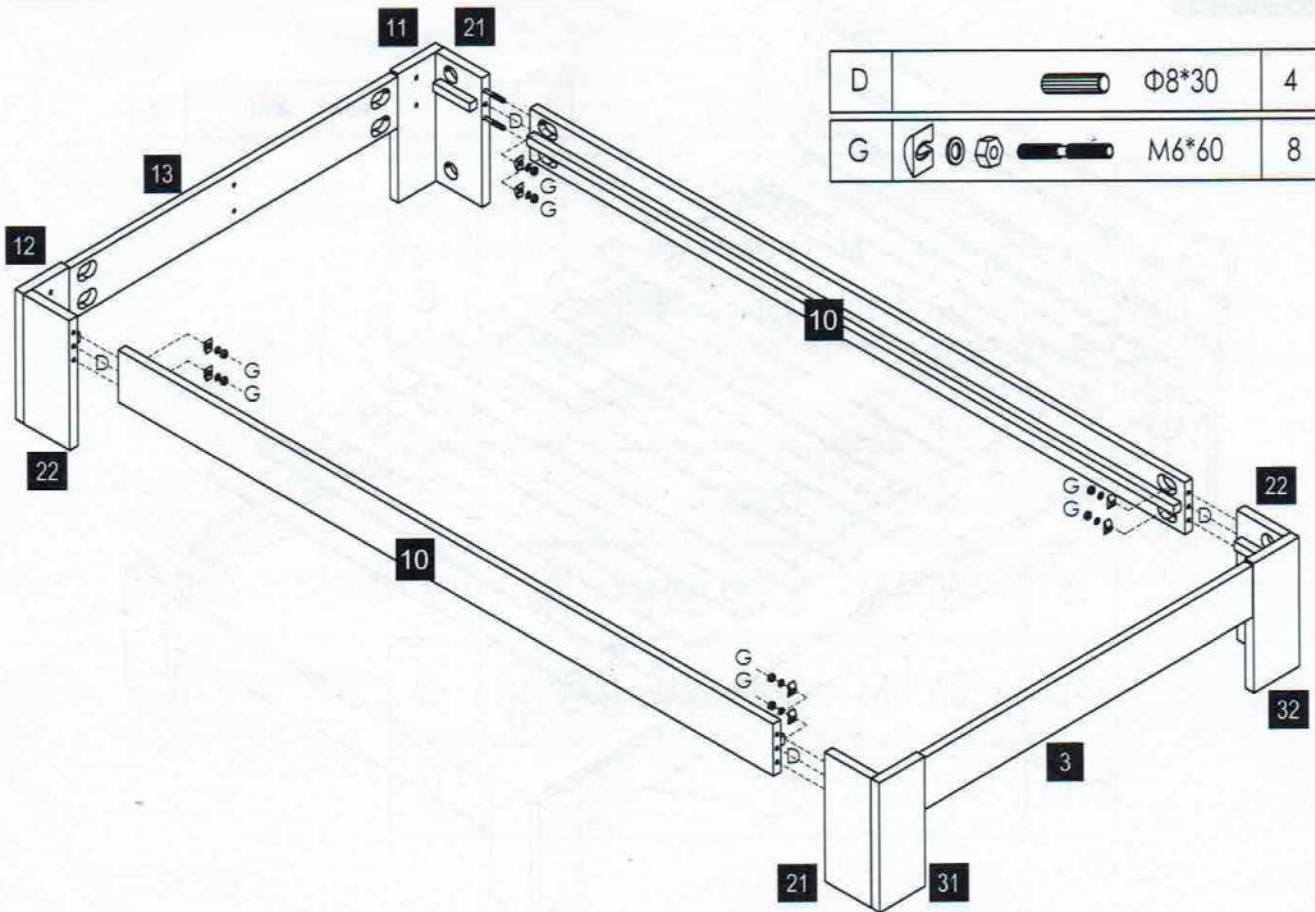
STEP:2

D		Φ8*30	4
G		M6*60	8





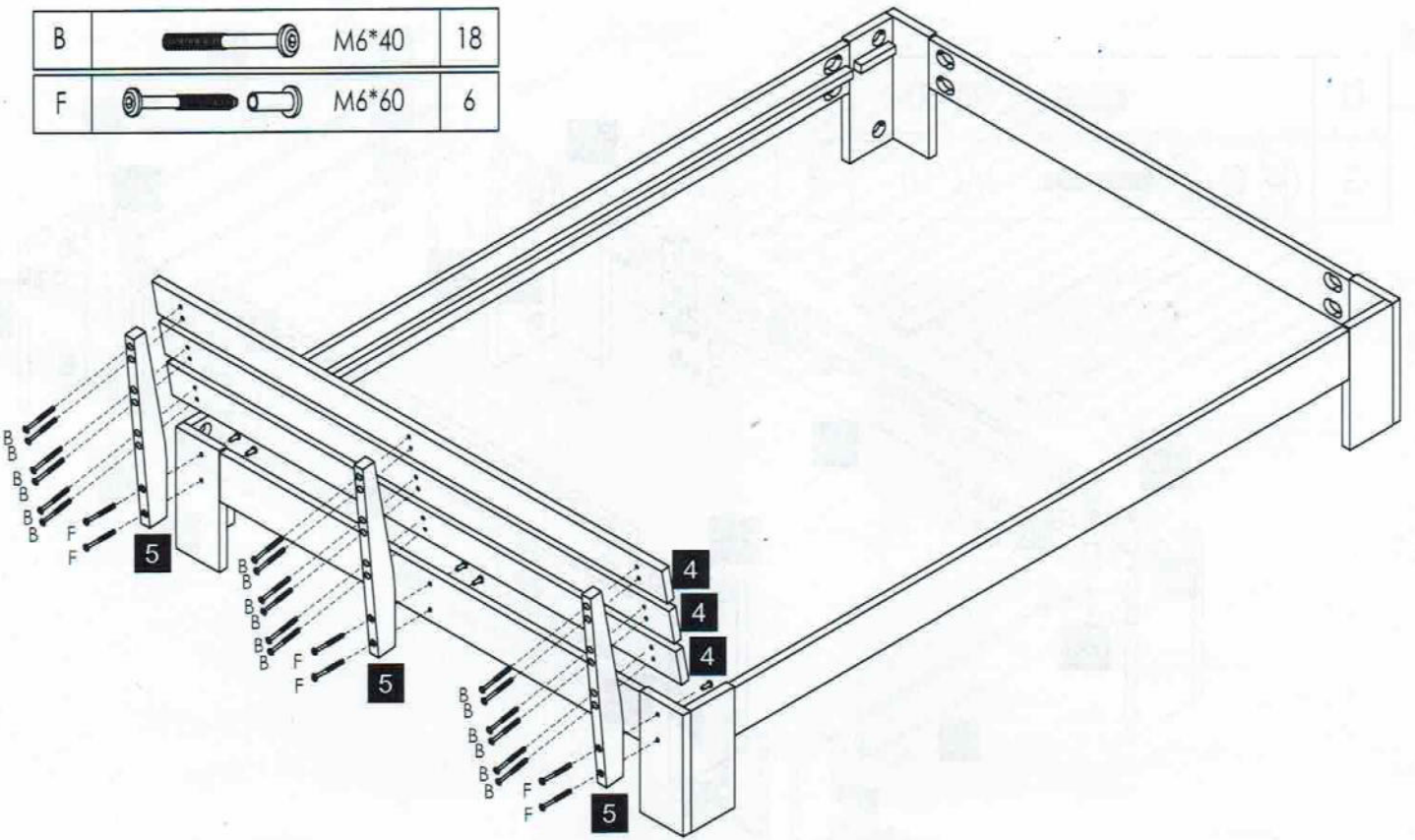
STEP:3

D		Φ8*30	4
G		M6*60	8



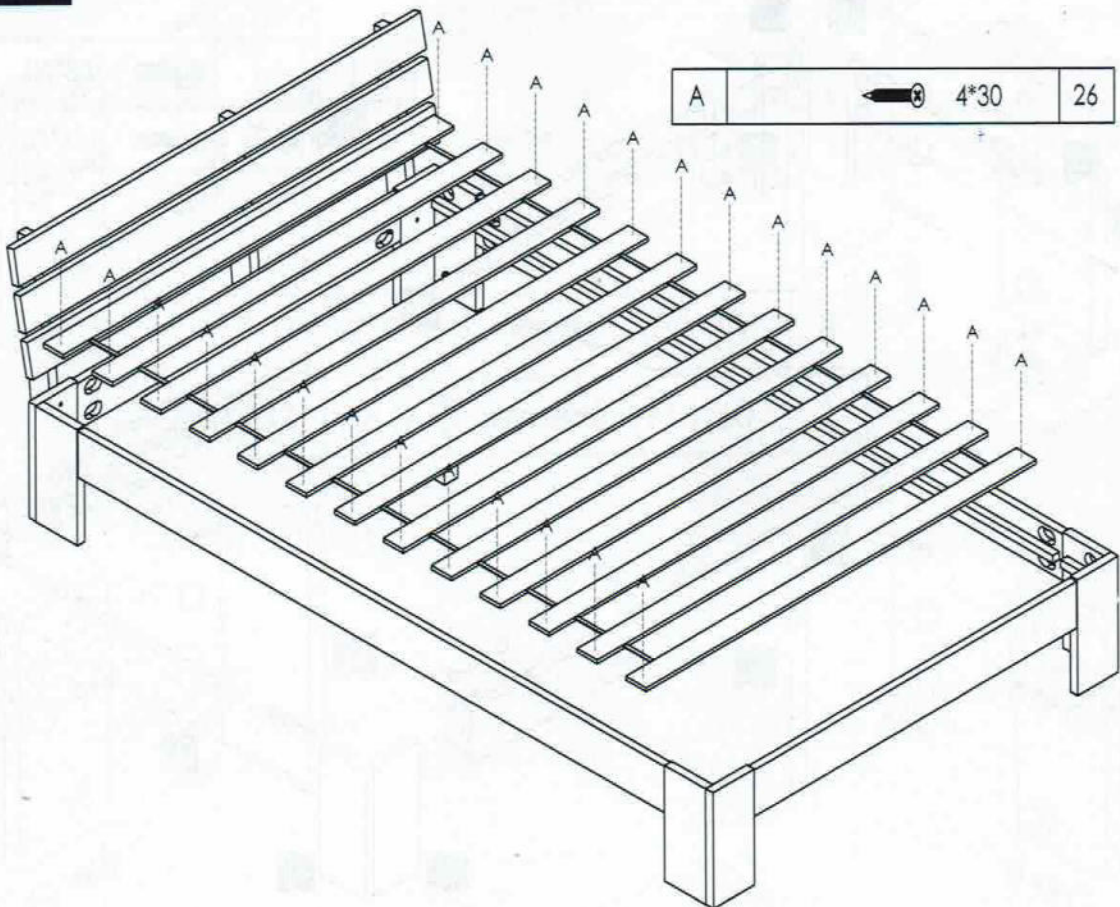
STEP:4

B		M6*40	18
F		M6*60	6

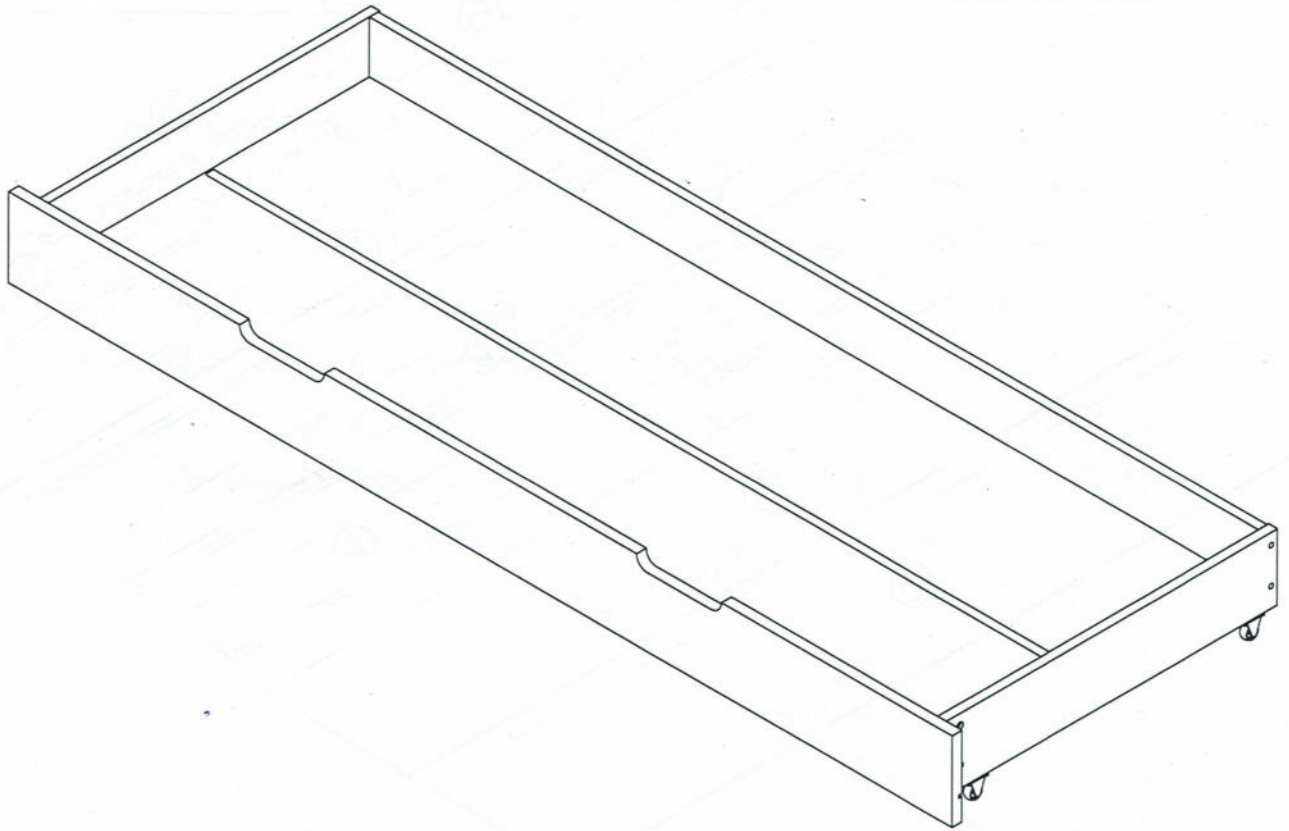


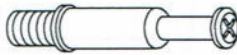







STEP:5

A		4*30	26
---	---	------	----

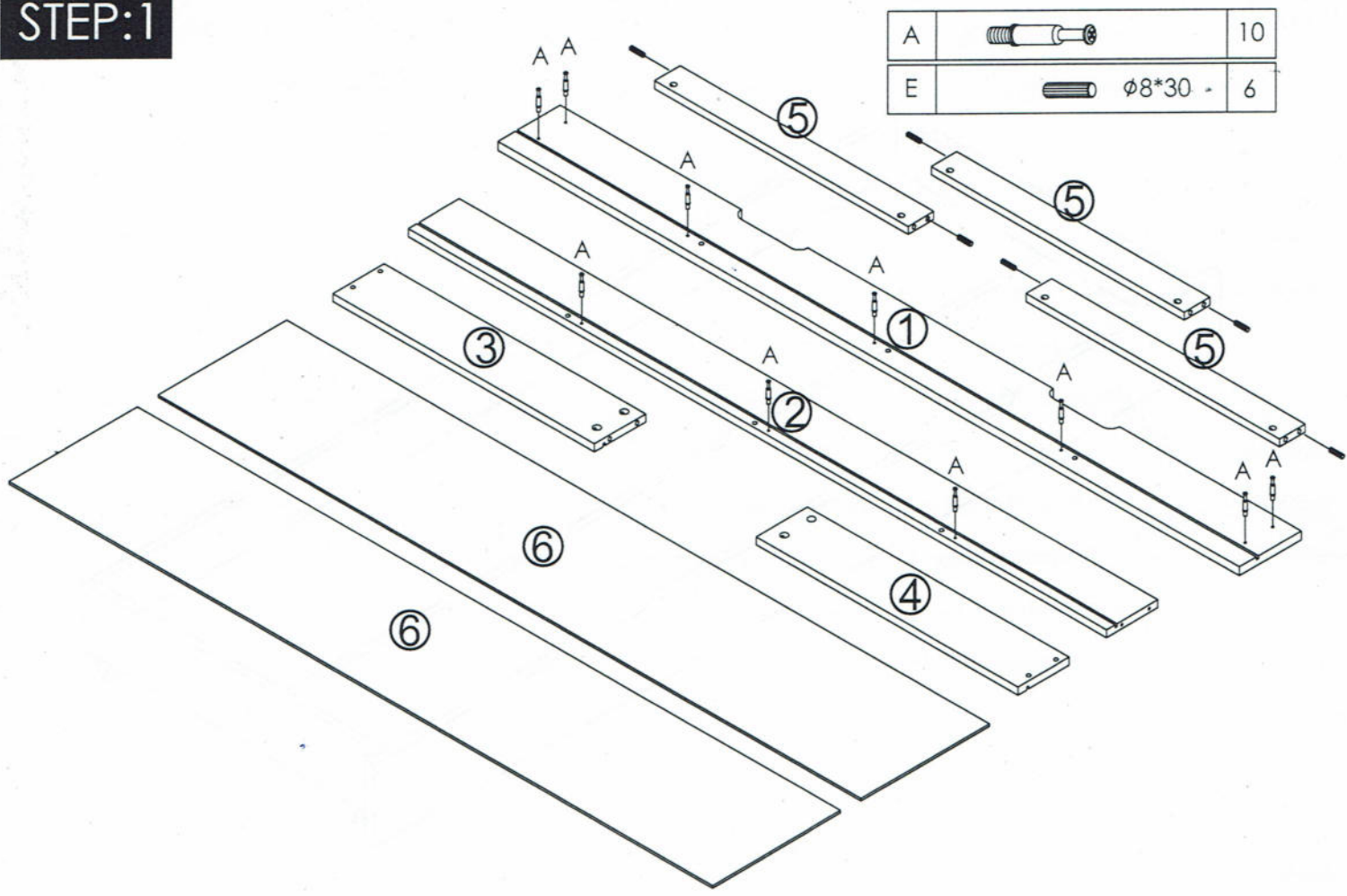


1910

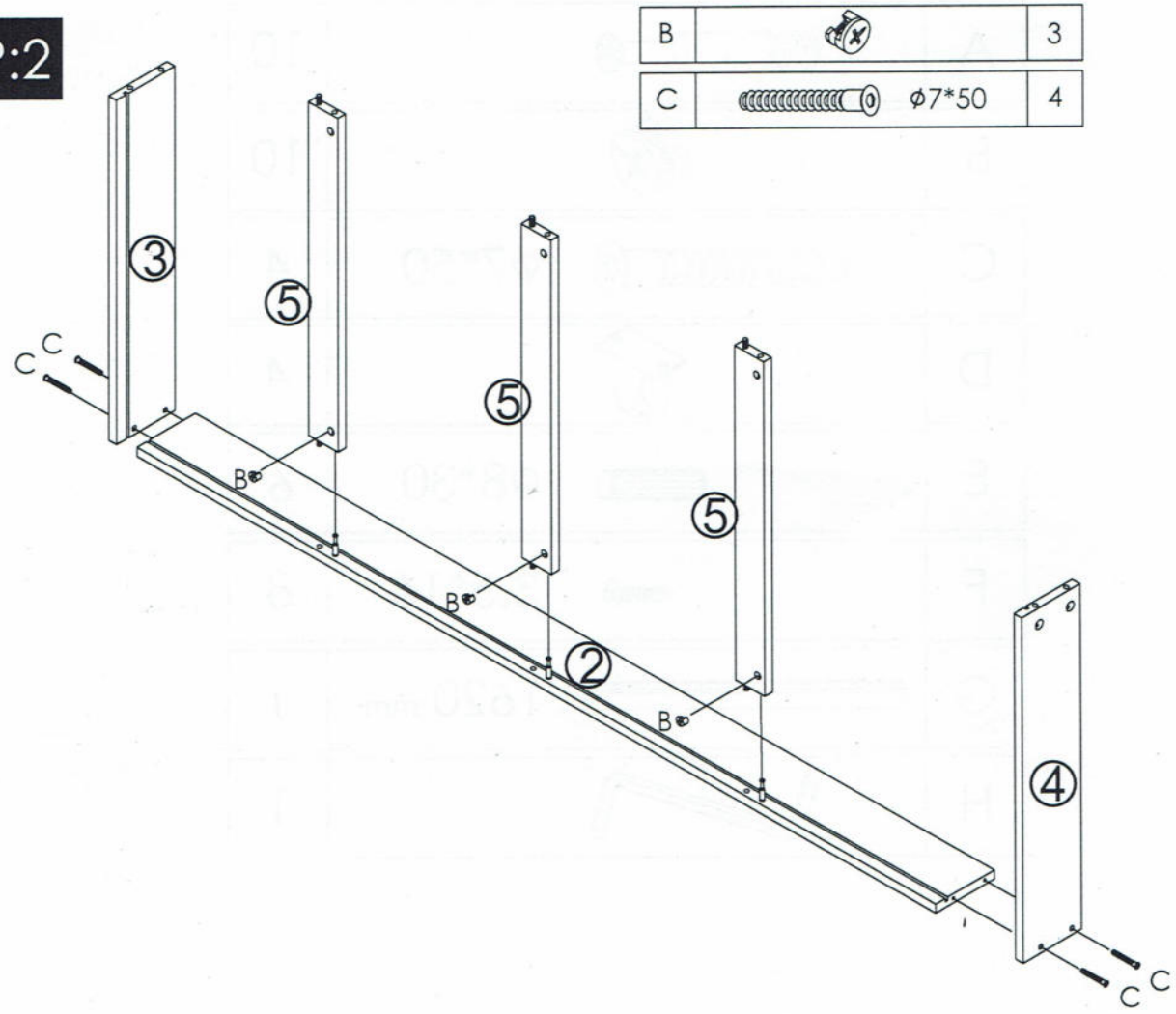


A			10
B			10
C		$\phi 7*50$	4
D			4
E		$\phi 8*30$	6
F		$3.5*16$	8
G		1620 mm	1
H			1

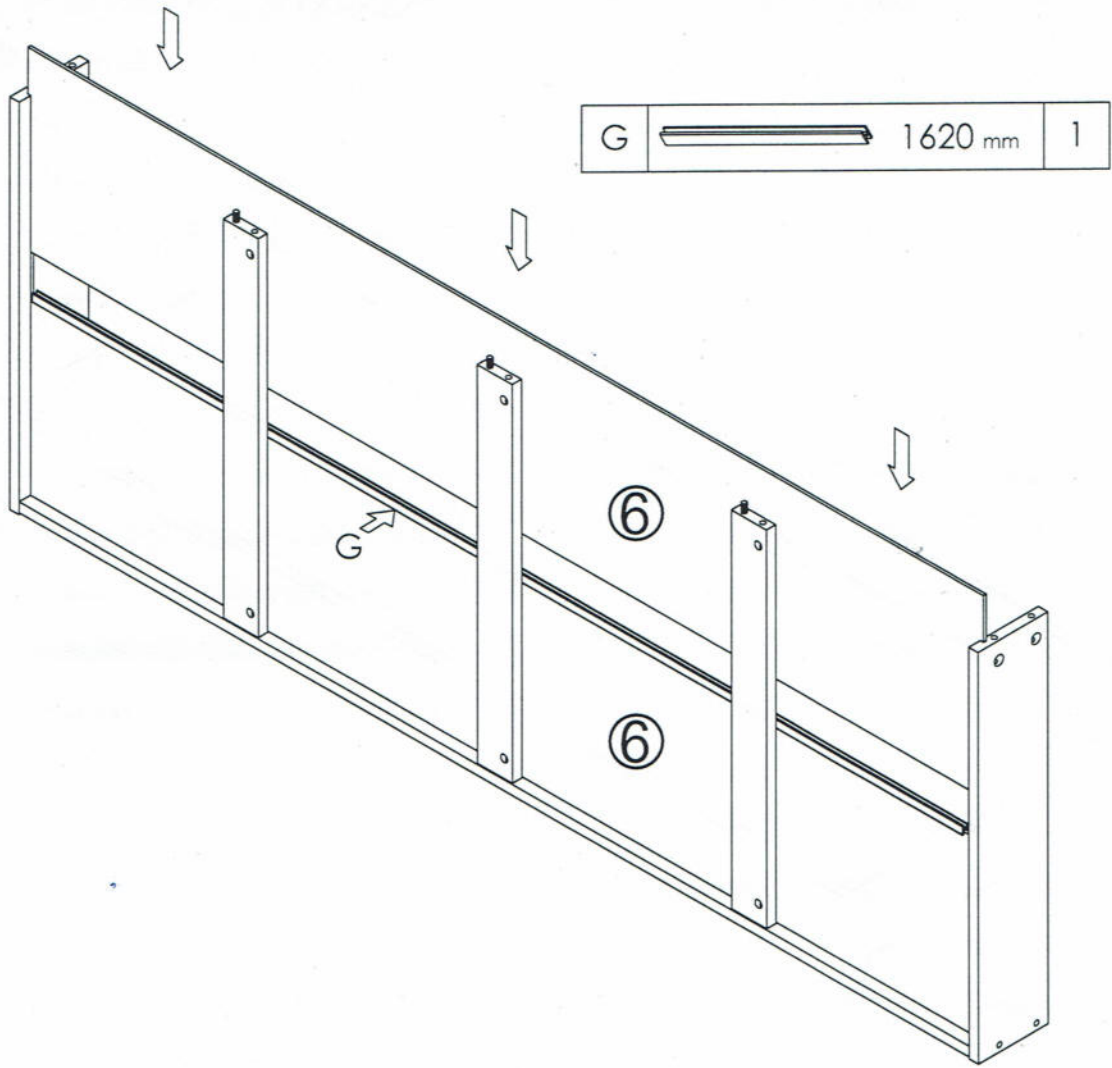
STEP:1



STEP:2



STEP:3



STEP:4

