
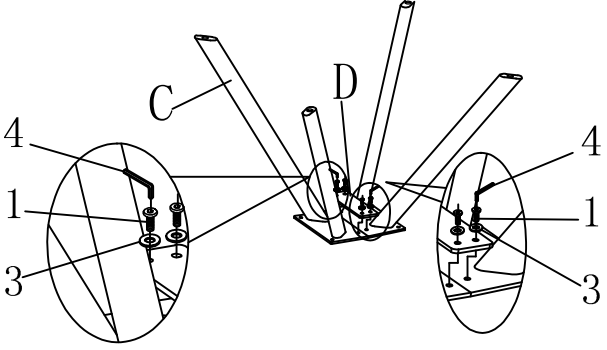
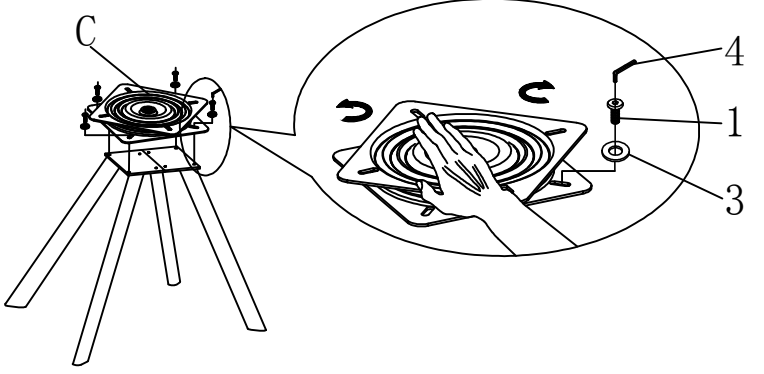

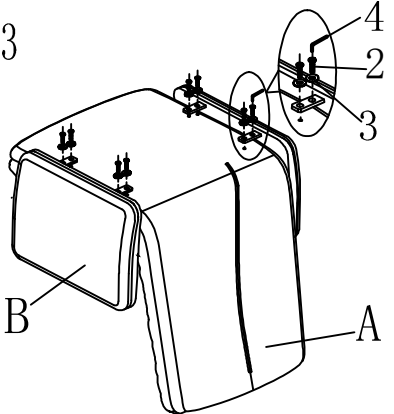
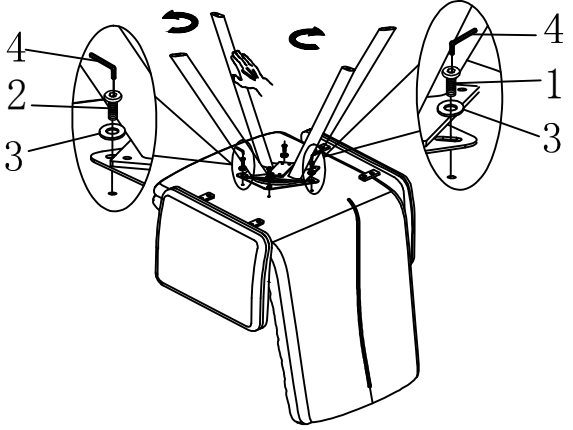


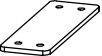


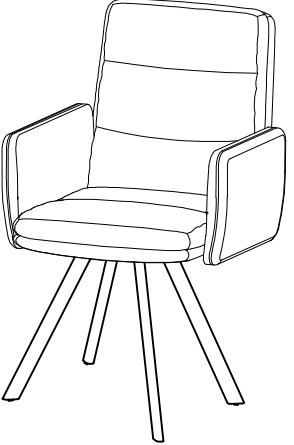

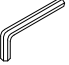


A	 680×500×550mm	1	<div style="display: flex; justify-content: space-around;"> <div style="text-align: center;"> <p>step 1</p>  </div> <div style="text-align: center;"> <p>step 2</p>  </div> </div>	
B	 500×270×50mm	1	<div style="display: flex; justify-content: space-around;"> <div style="text-align: center;"> <p>step 3</p>  </div> <div style="text-align: center;"> <p>step 4</p>  </div> </div>	
C	 175×175×25mm	1		
D	 510×510×350mm	1		
E	 135×45×5mm	1		
1	 M6×12	10		
2	 M6×20	10	<div style="text-align: center;"> <p>step 5</p>  </div>	
3	 $\phi 16/\phi 6$	20		
4	 4#	1		
			<div style="border: 1px solid black; padding: 5px; display: inline-block;"> item No: #71849 </div>	