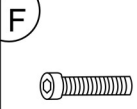
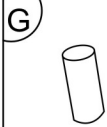


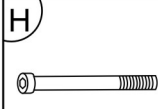
ASSEMBLY INSTRUCTION



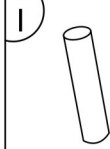
M8x50 x4



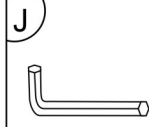
x4



M8x130 x4



x4



M8 x1

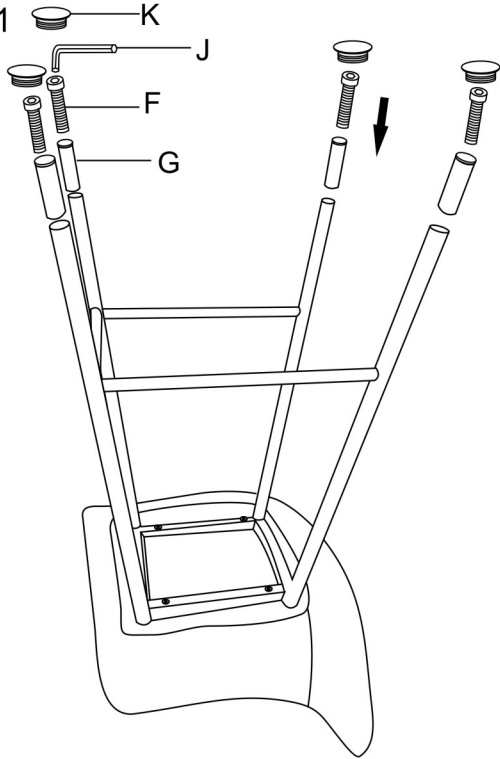


x8

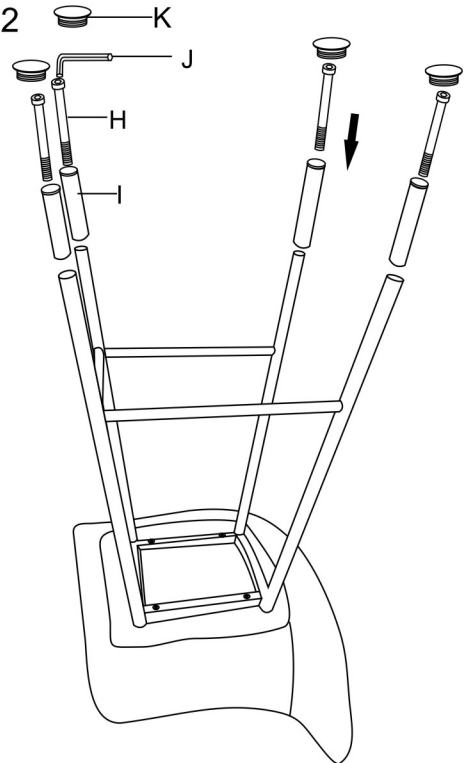


x2

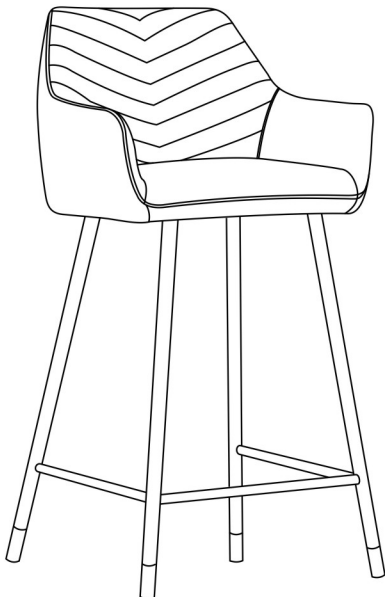
STEP 1



STEP 2



STEP 3



Or

