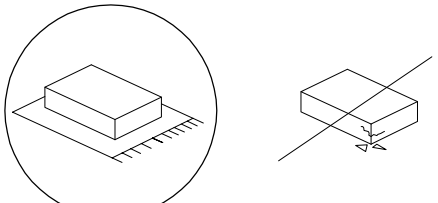


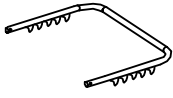
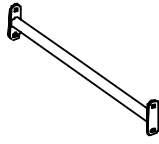

		30'
		
		1

E



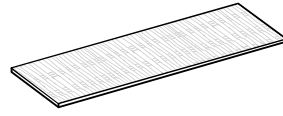
x 1

F



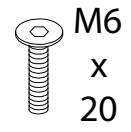
x 1

G



x 1

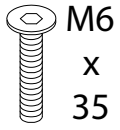
H



M6
x
20

x 6

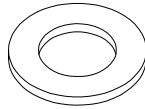
I



M6
x
35

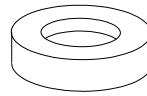
x 18

J



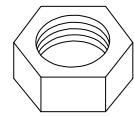
x 26

K



x 2

L



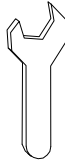
x 2

M



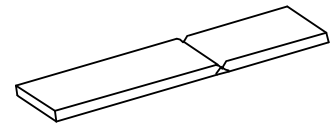
x 1

N



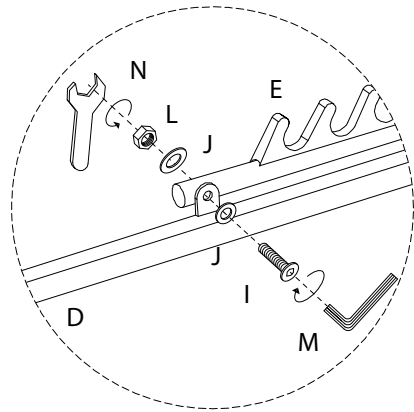
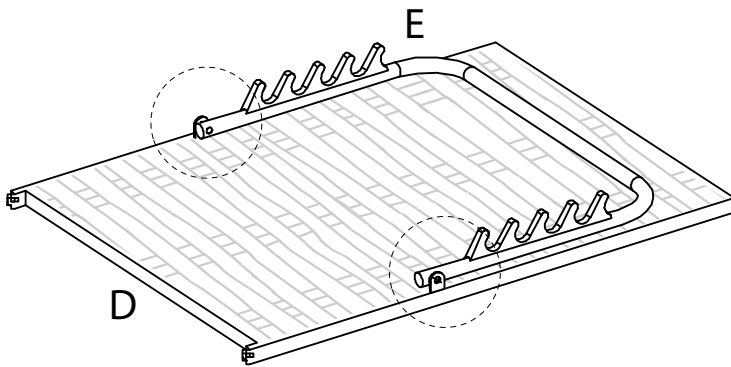
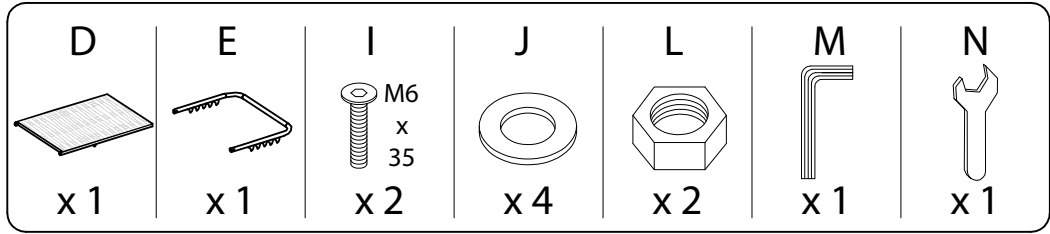
x 1

O

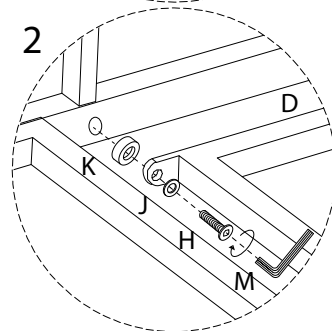
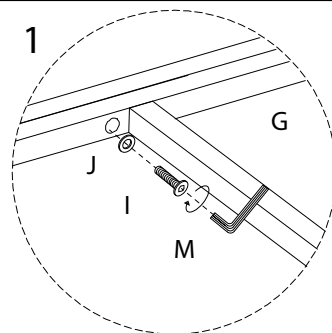
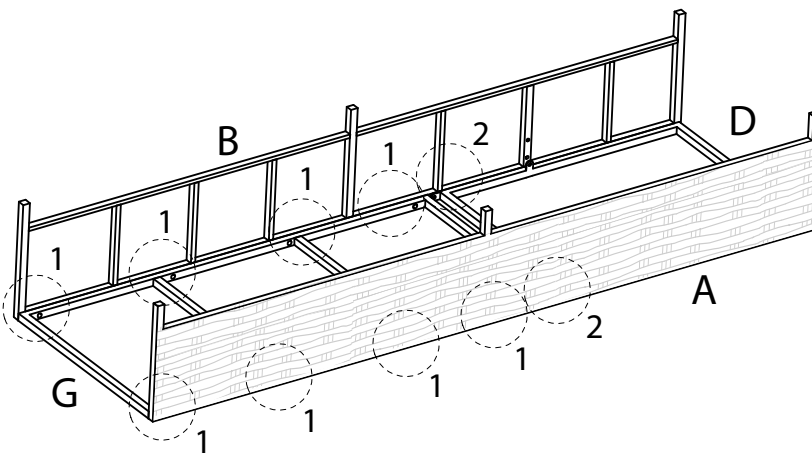
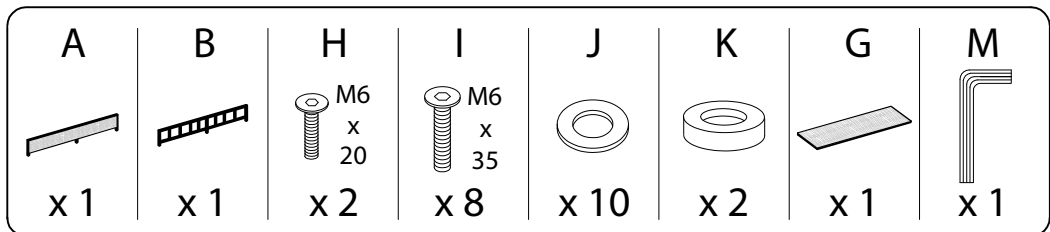


x 1

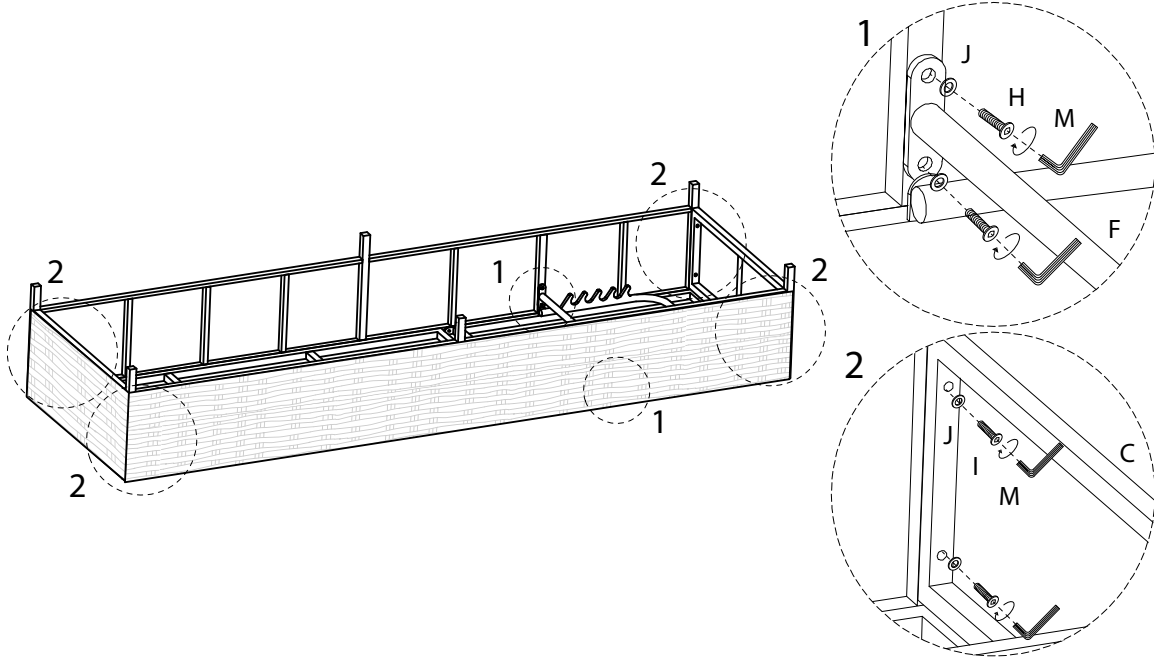
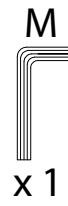
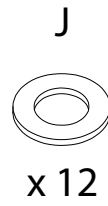
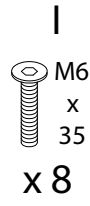
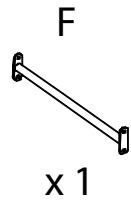
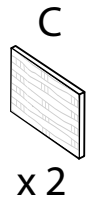
1



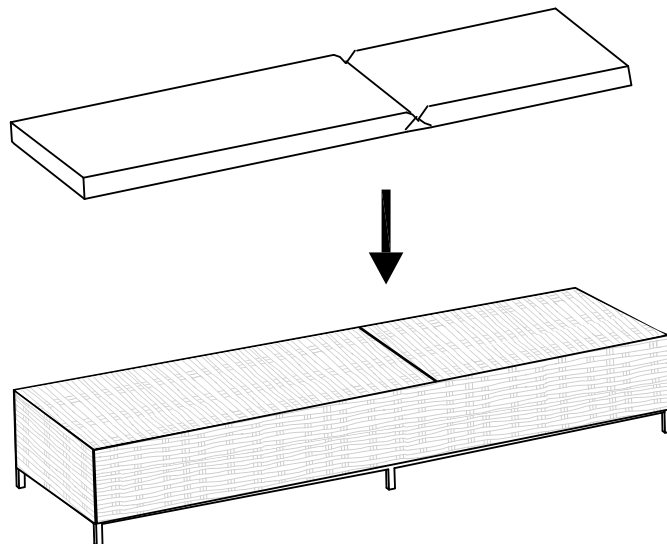
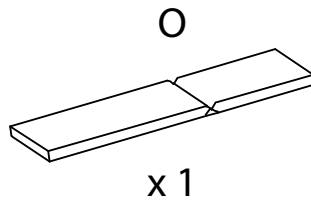
2



3



4



5

