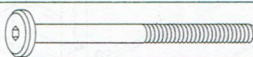

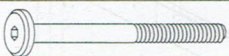



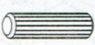

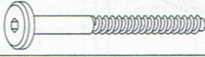

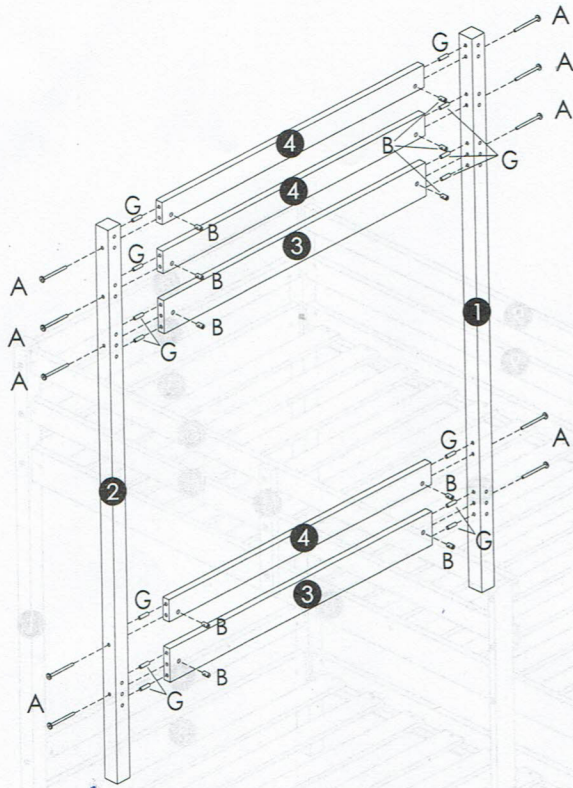





| | | | |
|---|-------------------------------------------------------------------------------------|-------|----|
| A |  | M6x80 | 42 |
| B |  | | 42 |
| C |  | M6x70 | 6 |
| D |  | M6x25 | 6 |
| E |  | Φ8x20 | 12 |

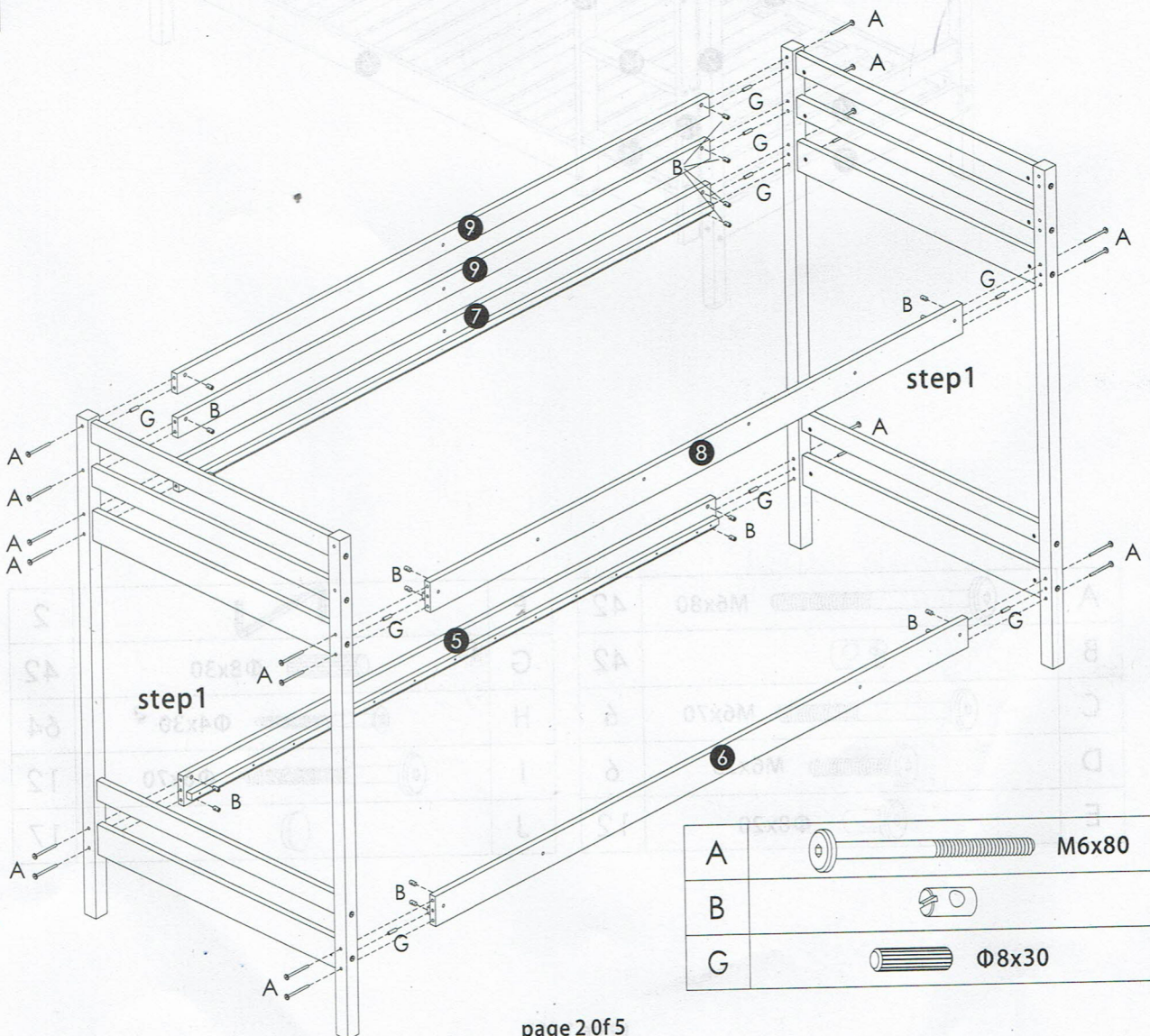
| | | | |
|---|---------------------------------------------------------------------------------------|-------|----|
| F |  | | 2 |
| G |  | Φ8x30 | 42 |
| H |  | Φ4x30 | 64 |
| I |  | Φ6x70 | 12 |
| J |  | | 17 |




step1 x2



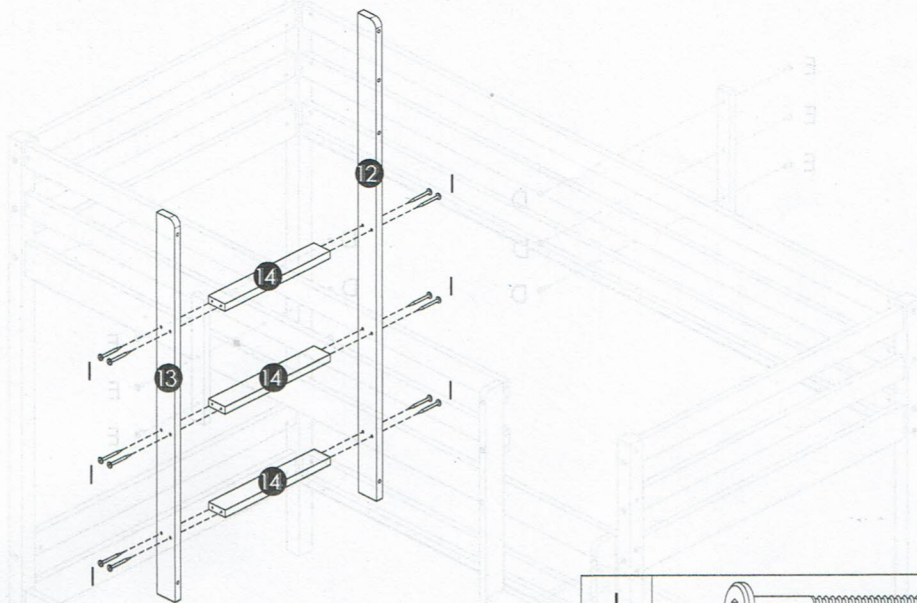
| | | |
|---|-------------------------------------------------------------------------------------------|----|
| A |  M6x80 | 10 |
| B |  | 10 |
| G |  Ø8x30 | 14 |


step2



| | | |
|---|---------------------------------------------------------------------------------------------|----|
| A |  M6x80 | 20 |
| B |  | 20 |
| G |  Ø8x30 | 12 |

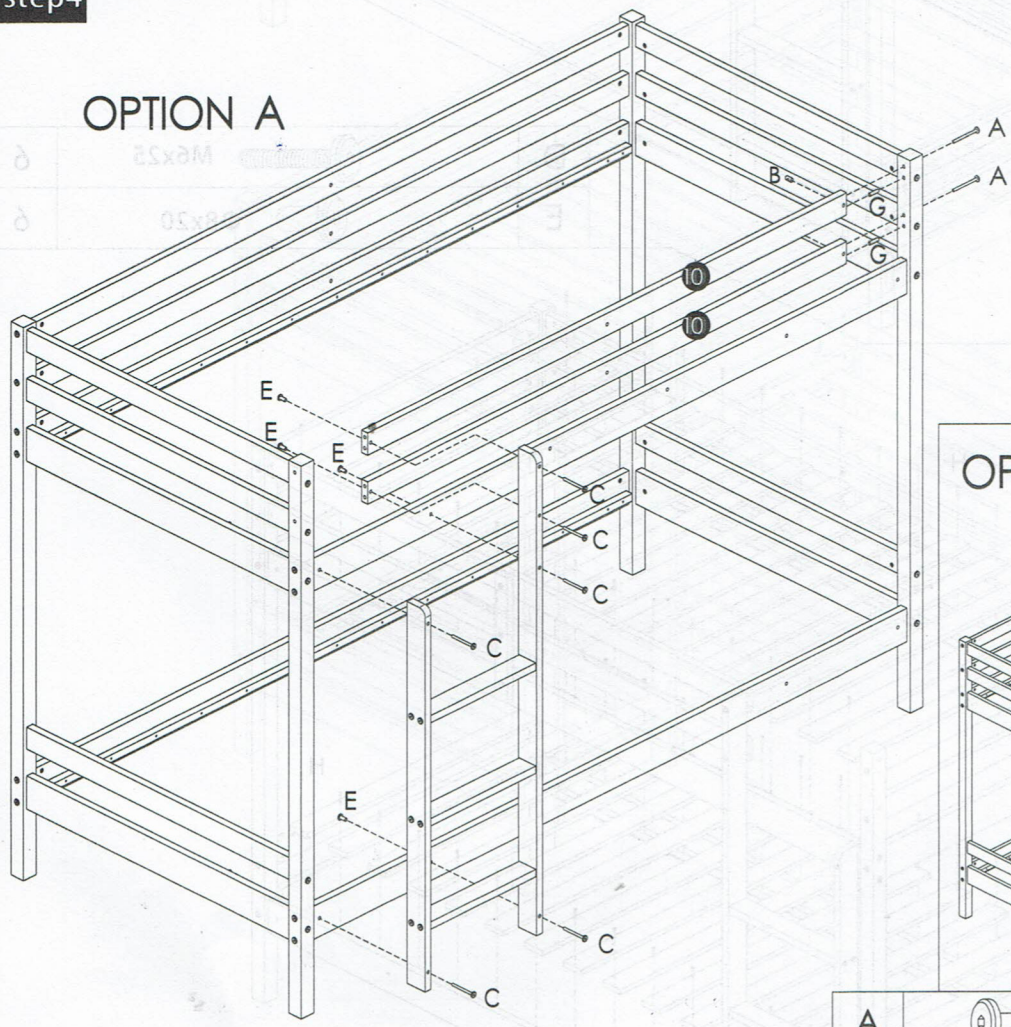
step3



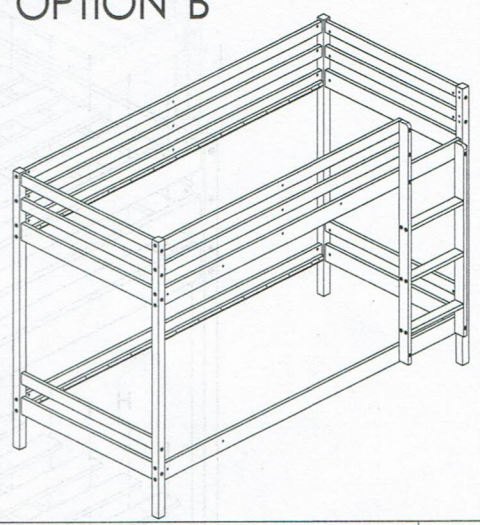
| | | | |
|---|-------------------------------------------------------------------------------------|-------|----|
| I |  | Φ6x70 | 12 |
|---|-------------------------------------------------------------------------------------|-------|----|




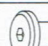

step4

OPTION A

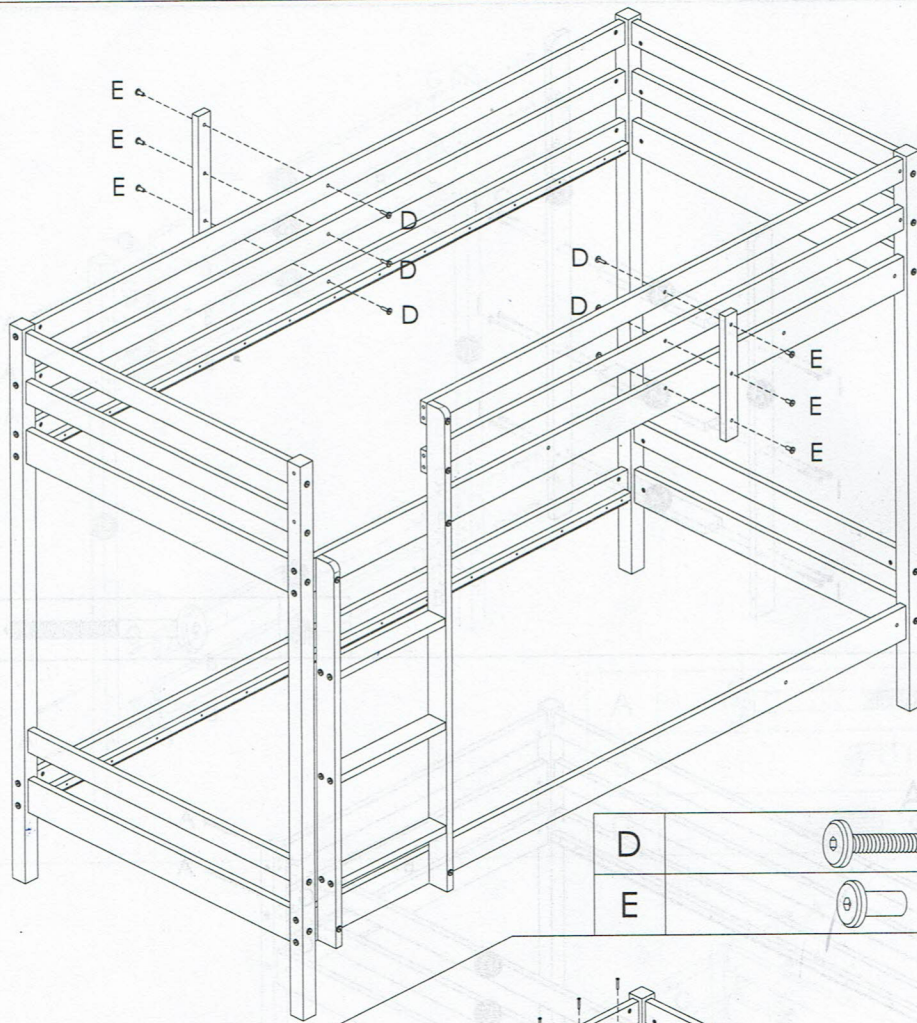



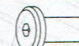
OPTION B



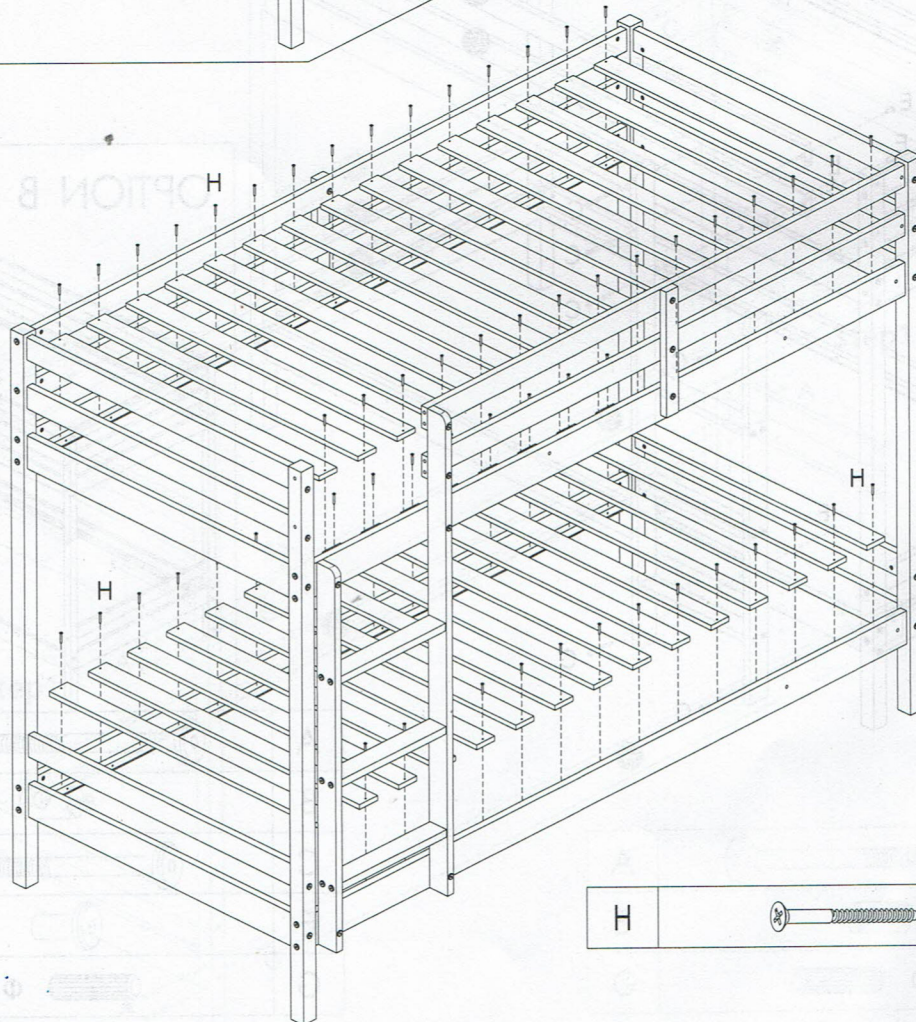
| | | | |
|---|---------------------------------------------------------------------------------------|-------|---|
| A |  | M6x80 | 2 |
| B |  | | 2 |
| C |  | M6x70 | 6 |
| E |  | Φ8x20 | 6 |
| G |  | Φ8x30 | 2 |

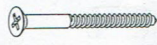
step5

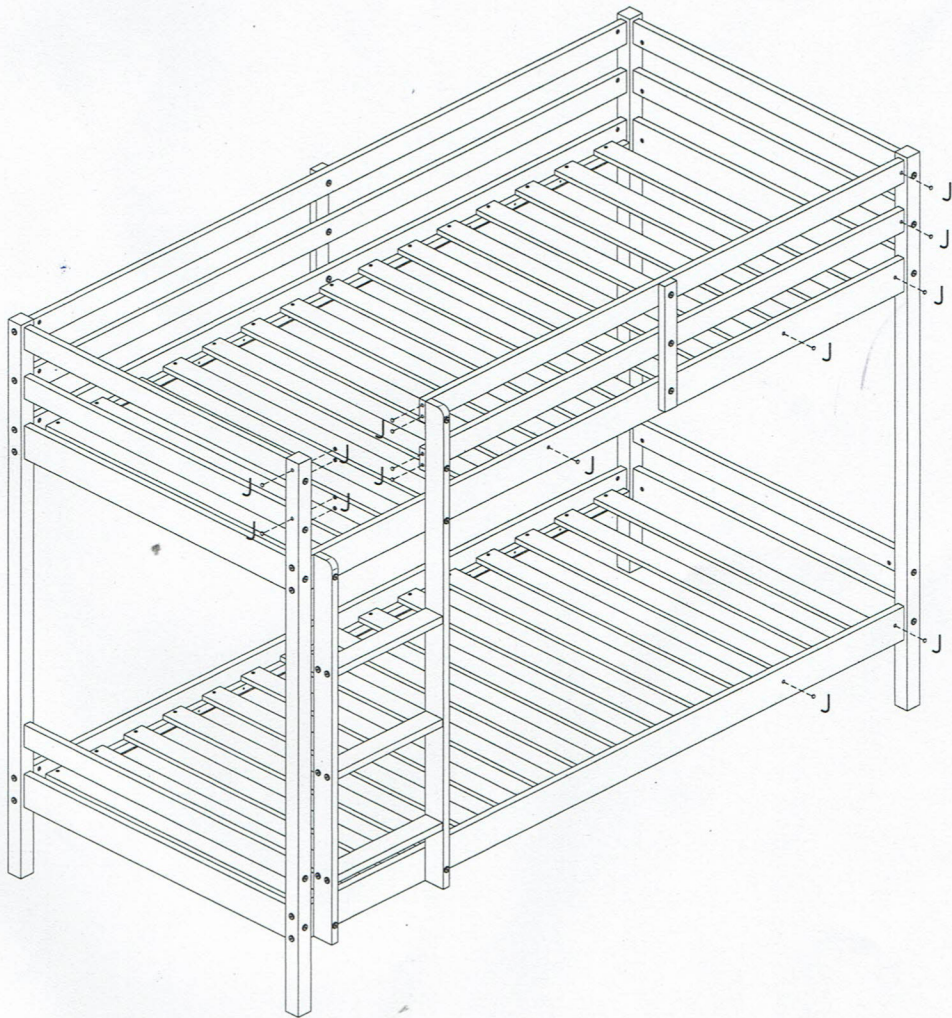


| | | | |
|---|--------------------------------------------------------------------------------------|-------|---|
| D |  | M6x25 | 6 |
| E |  | Φ8x20 | 6 |

step6



| | | | |
|---|---------------------------------------------------------------------------------------|-------|----|
| H |  | Φ4x30 | 64 |
|---|---------------------------------------------------------------------------------------|-------|----|



| | | |
|---|--|----|
| J | | 17 |
|---|--|----|