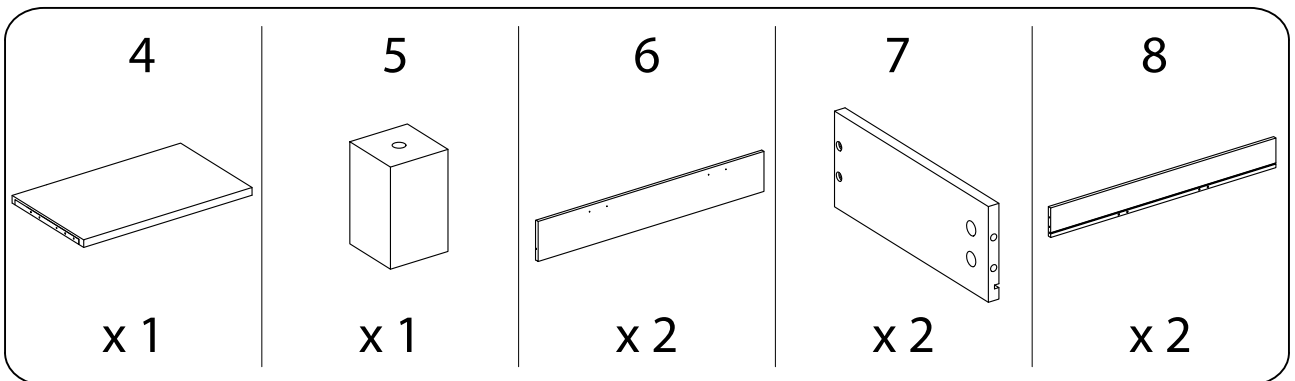
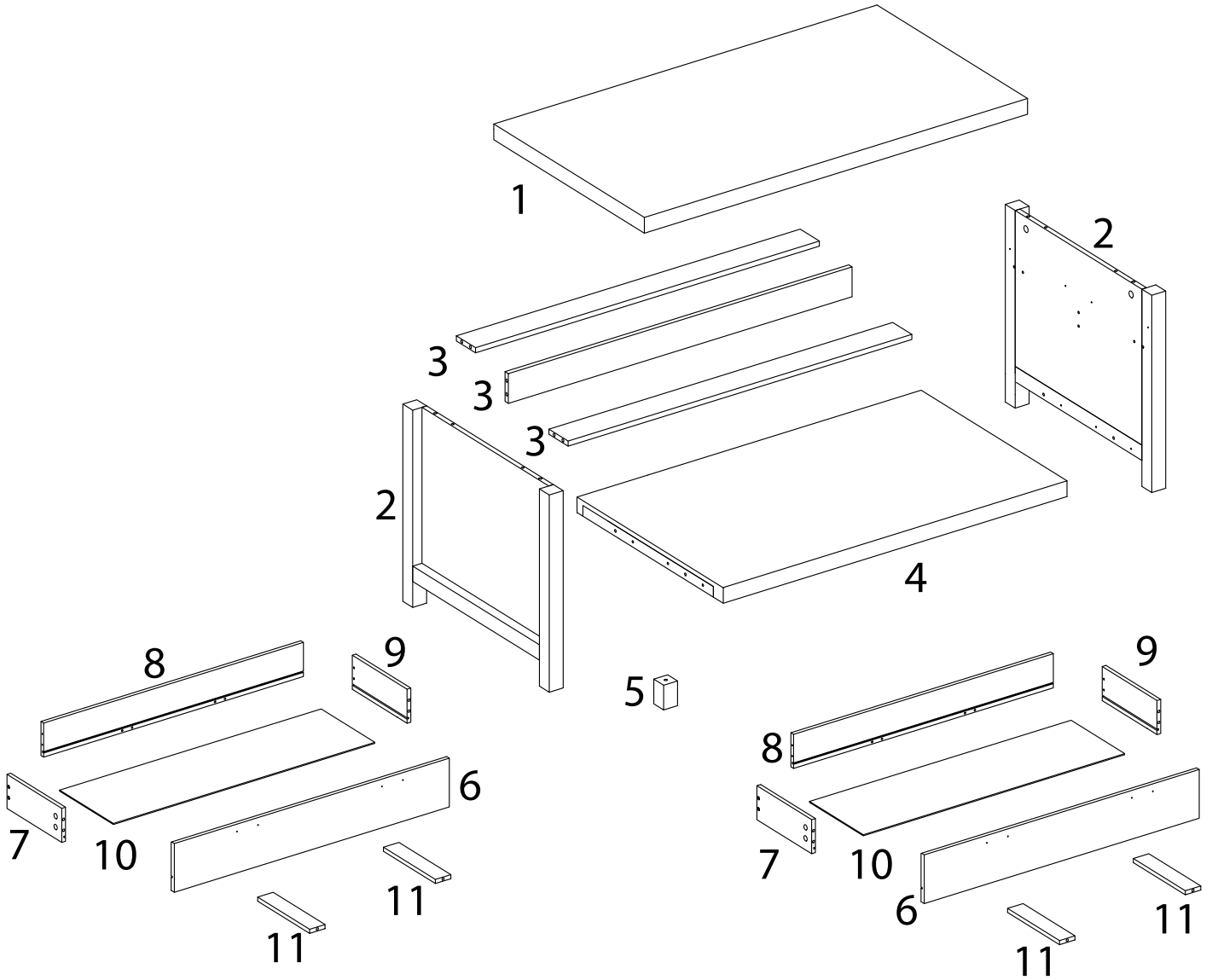
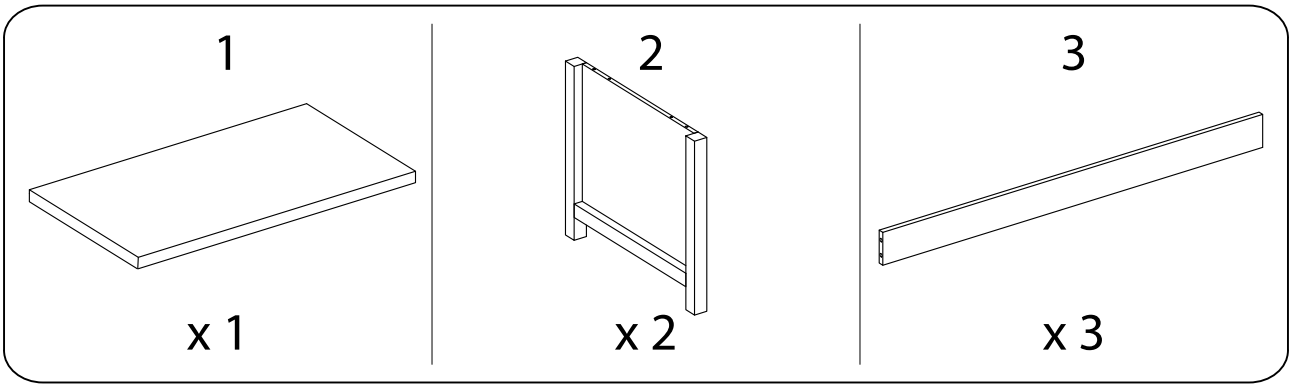
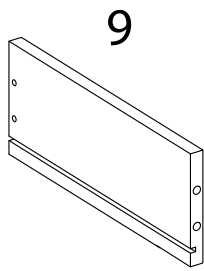


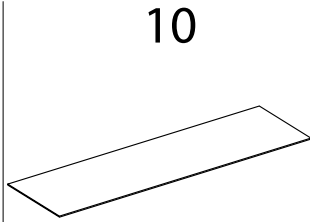
Assembly instructions for step 1/13:

- Tools:** A circle containing a screwdriver and an L-shaped hex key. A power drill is shown with a diagonal line through it, indicating it is not to be used.
- Warning:** A triangle with an exclamation mark.
- Time:** A clock icon with the text "60'" below it, indicating a 60-minute assembly time.
- Personnel:** A stick figure icon with the number "2" below it, indicating that two people are required for assembly.

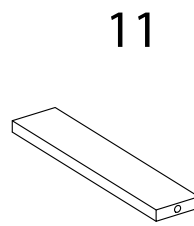




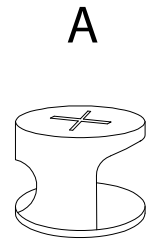
x 2



x 2



x 4



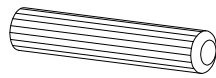
x 28

B



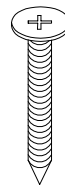
x 28

C



x 8

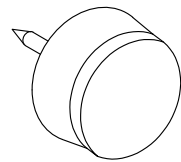
D



M4
x
35

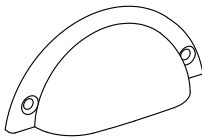
x 16

E



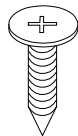
x 5

F



x 4

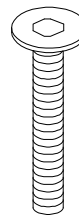
G



M3
x
14

x 8

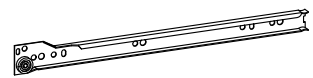
H



M8
x
60

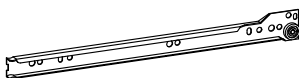
x 8

I



x 2

J



x 2

K



x 2

L



x 2

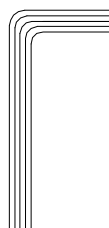
M



M3
x
12

x 24

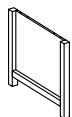
N



x 1

1 x 2

2



x 1

I



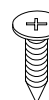
x 1

J



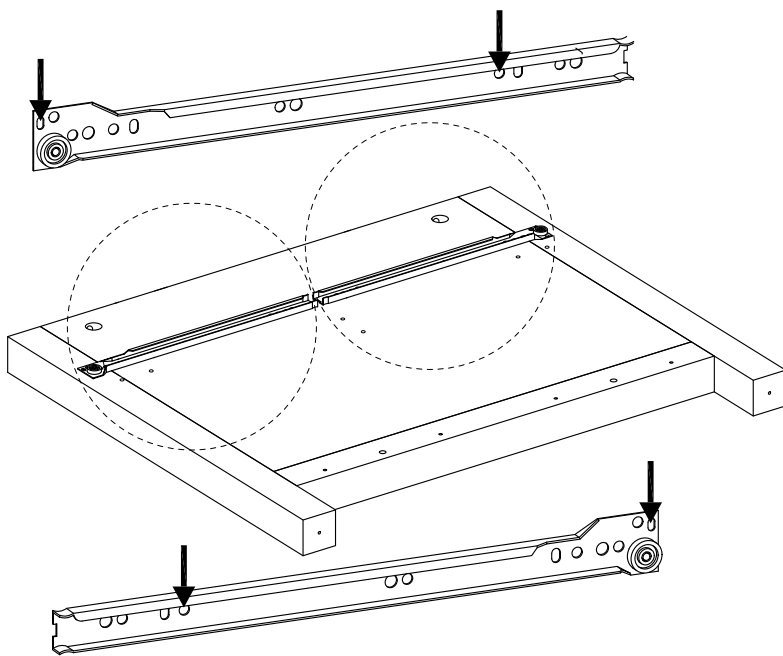
x 1

M



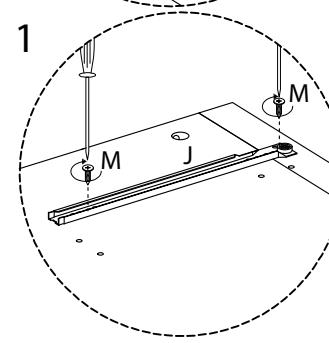
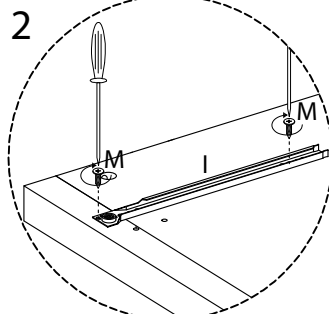
M3
x 12

x 4



2

1

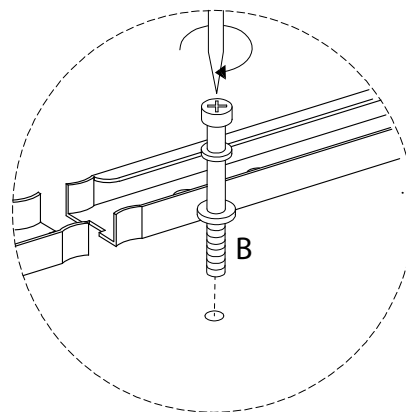
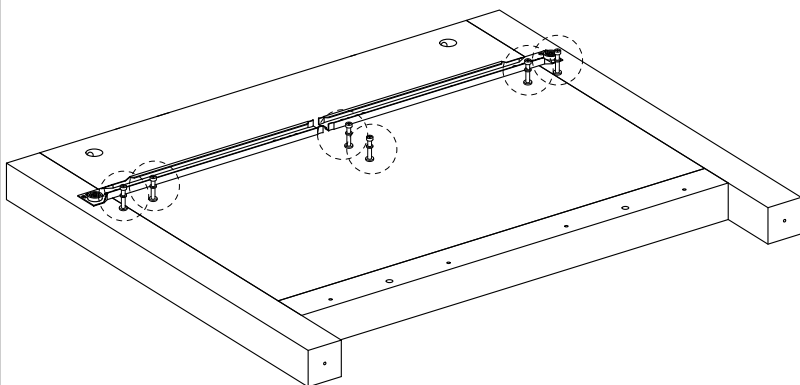


2 x 2

B

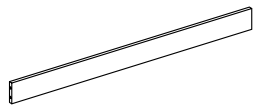


x 6



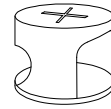
3

3

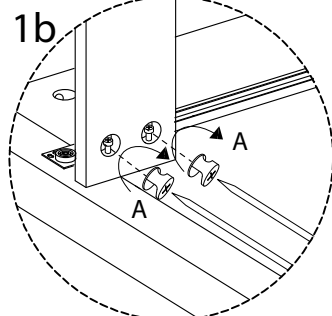
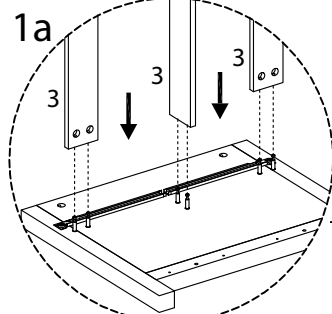
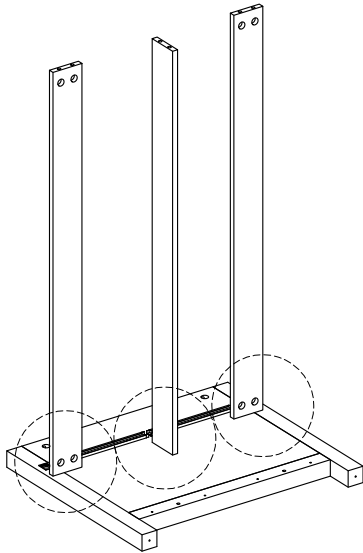


x 1

A

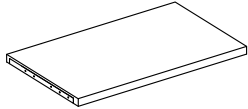


x 6



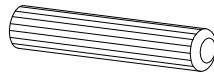
4

4



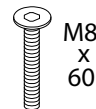
x 1

C



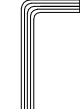
x 2

H

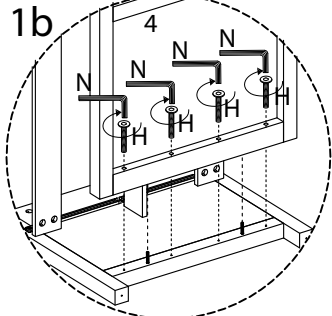
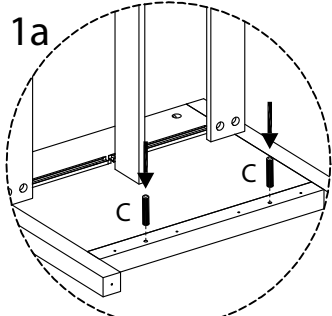
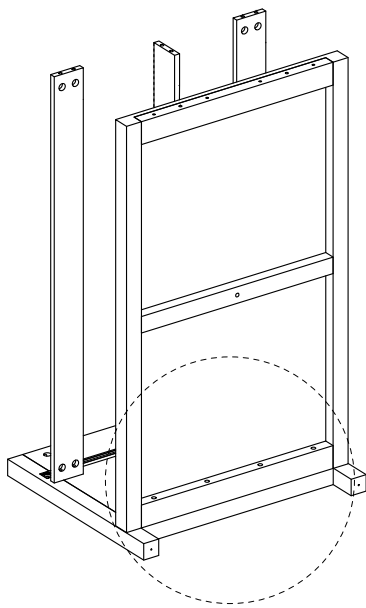


x 4

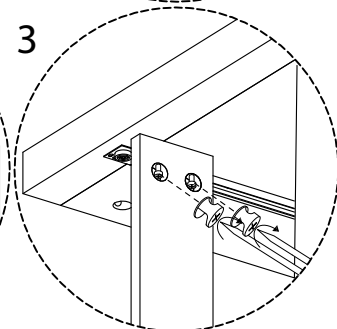
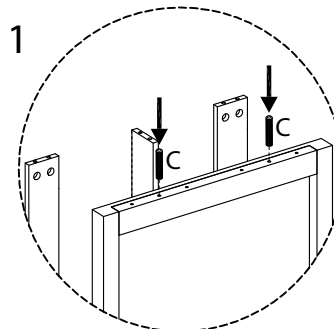
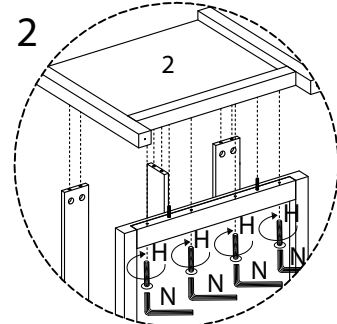
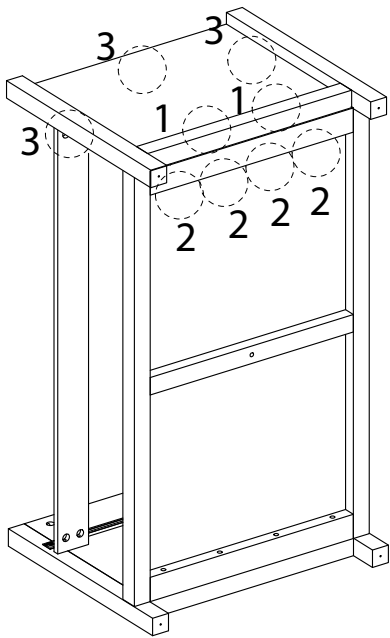
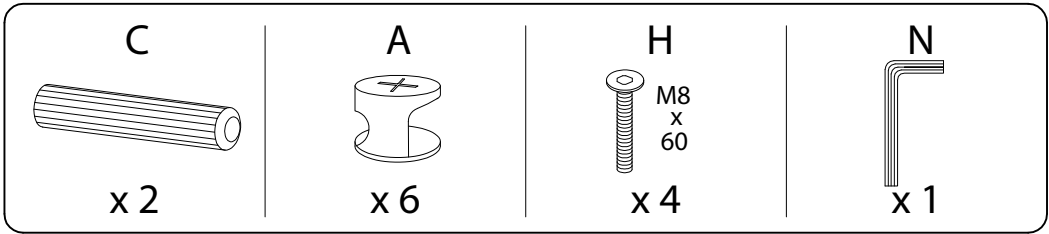
N



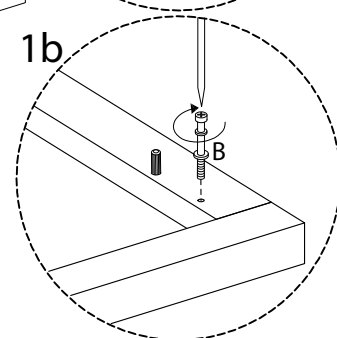
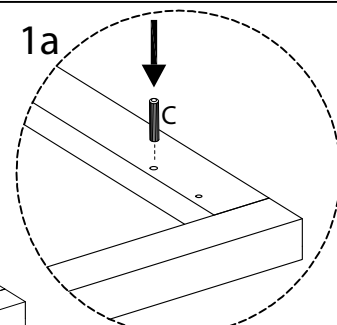
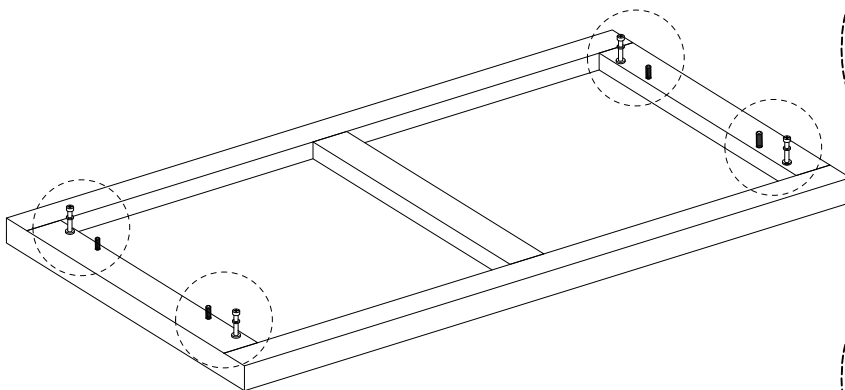
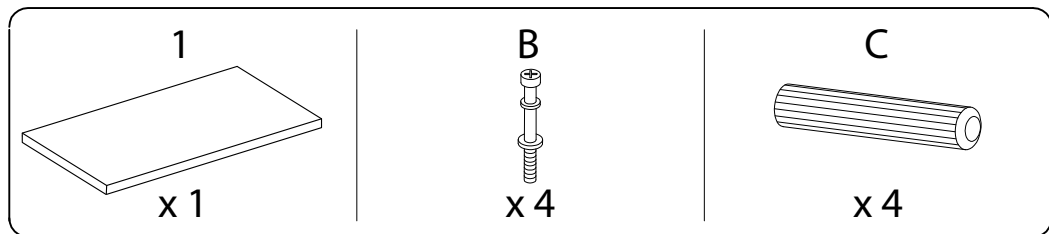
x 1



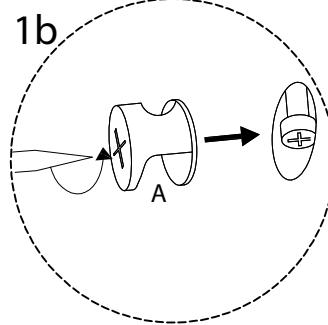
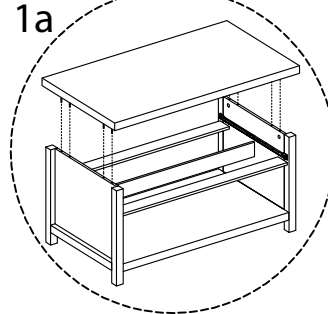
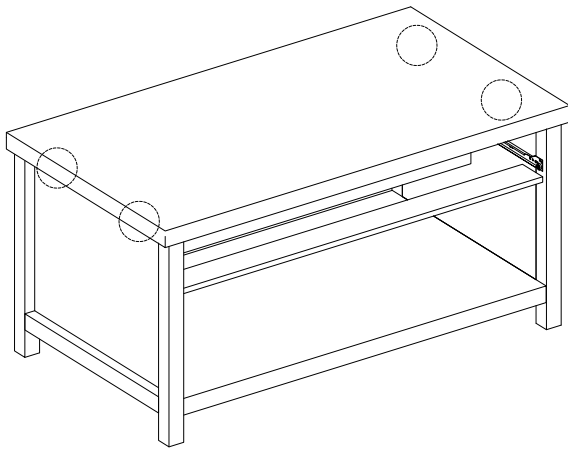
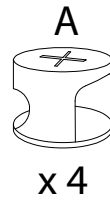
5



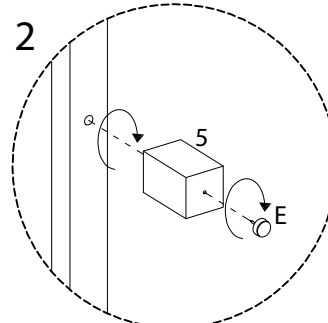
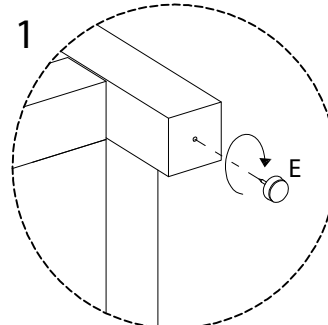
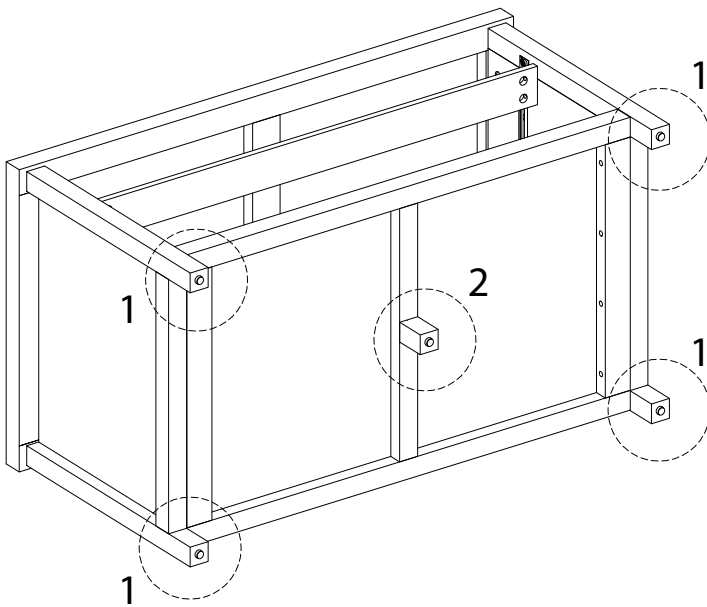
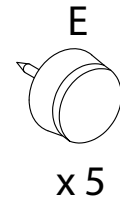
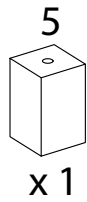
6



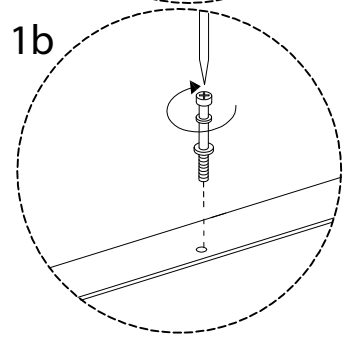
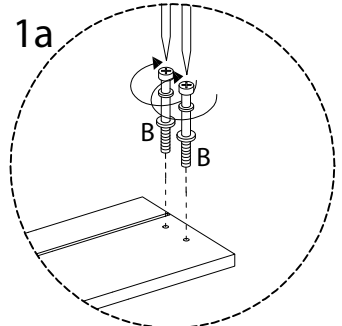
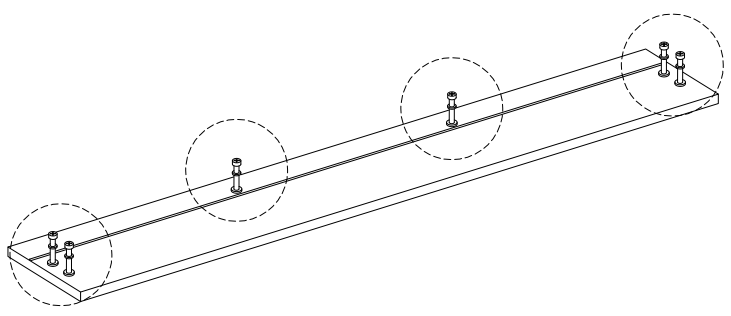
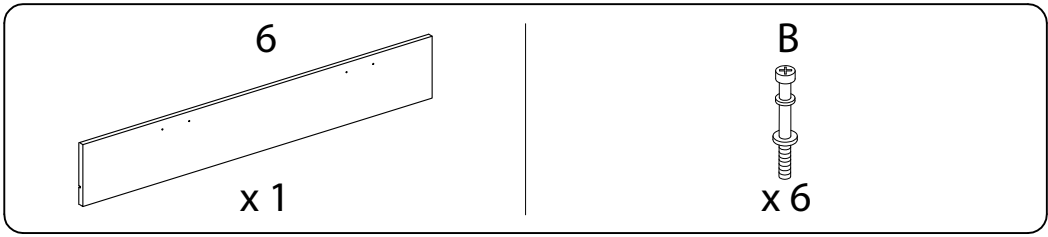
7



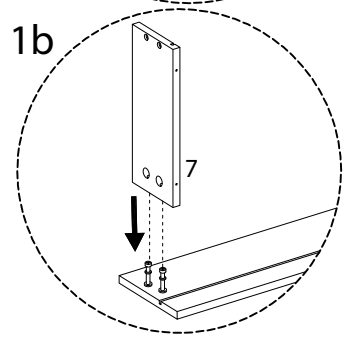
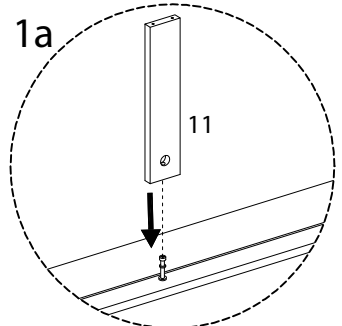
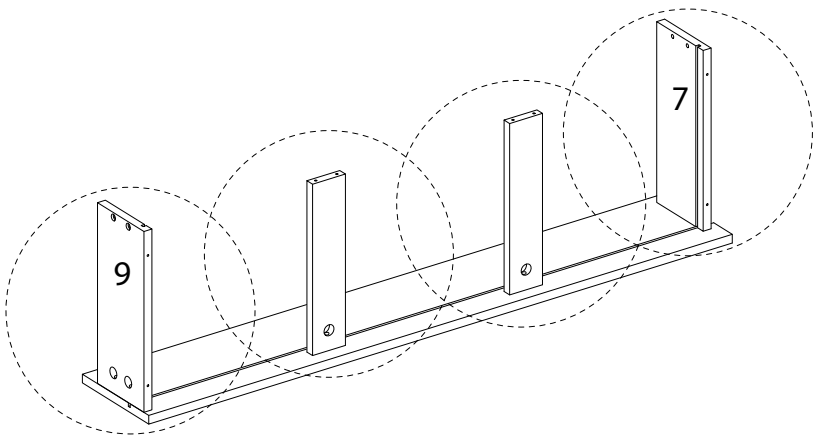
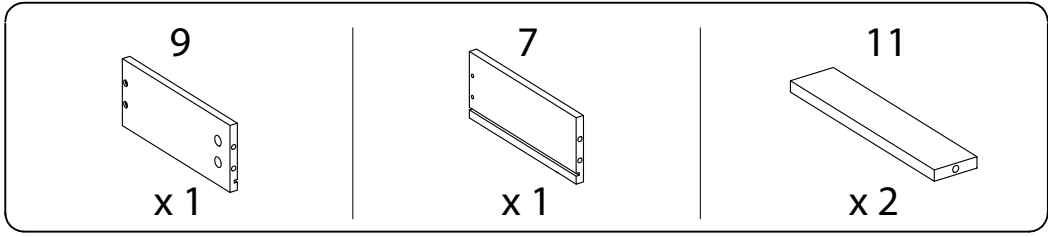
8



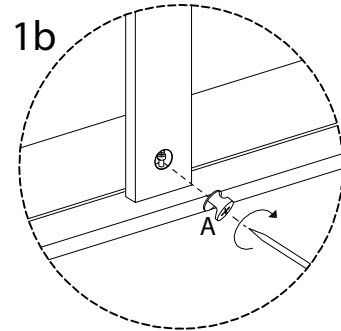
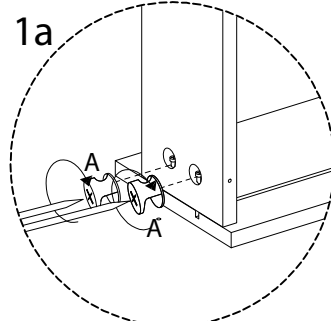
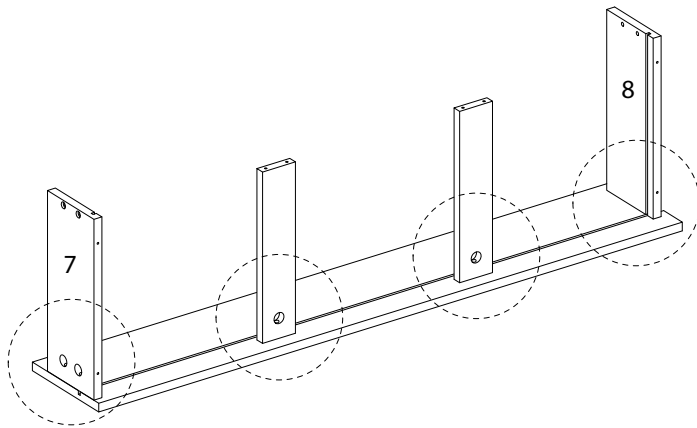
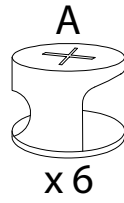
9 x 2



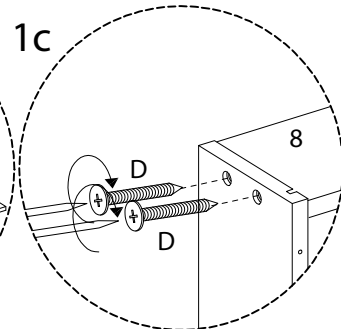
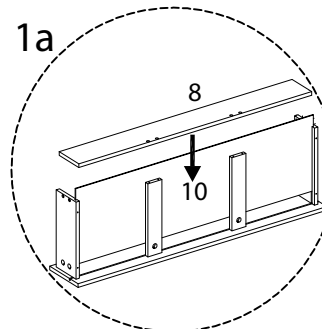
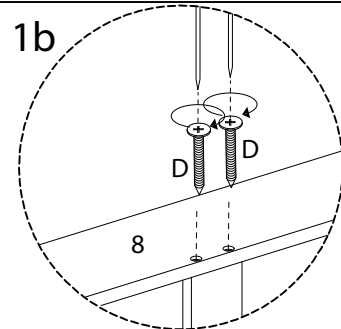
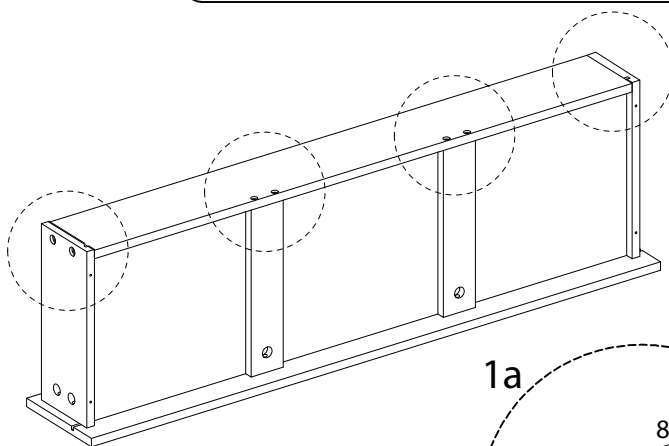
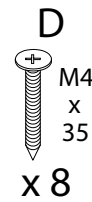
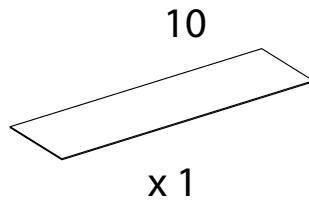
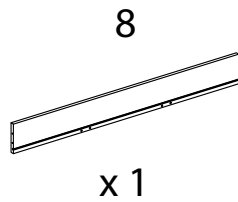
10 x 2



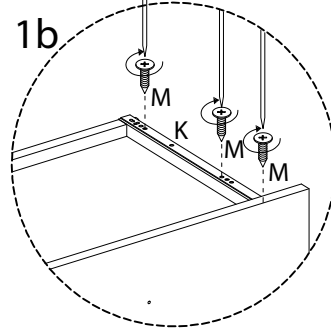
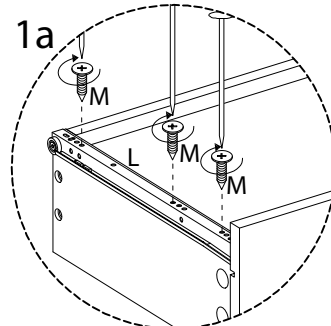
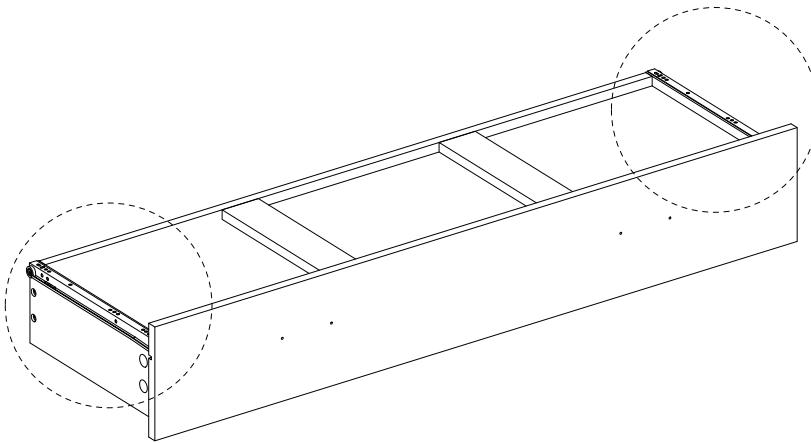
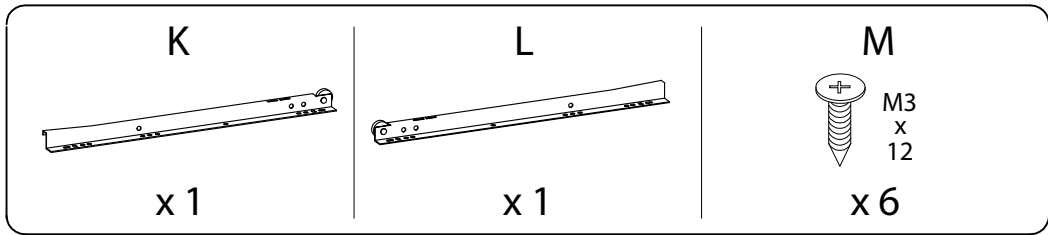
11 x2



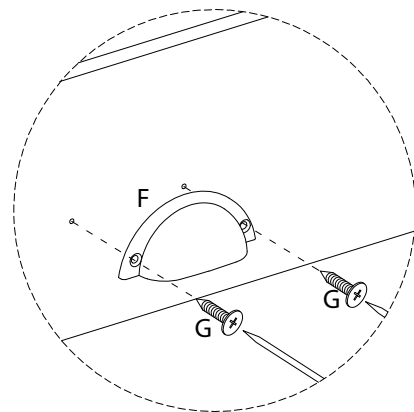
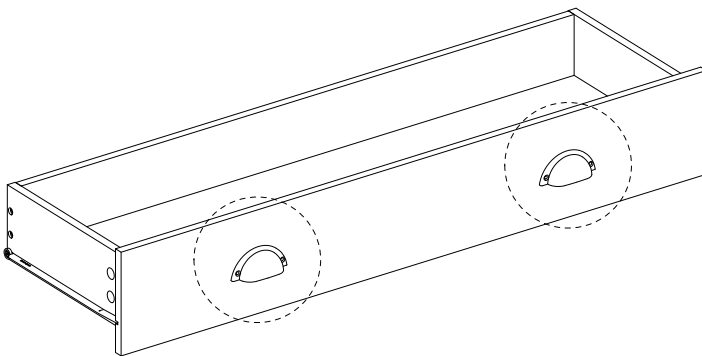
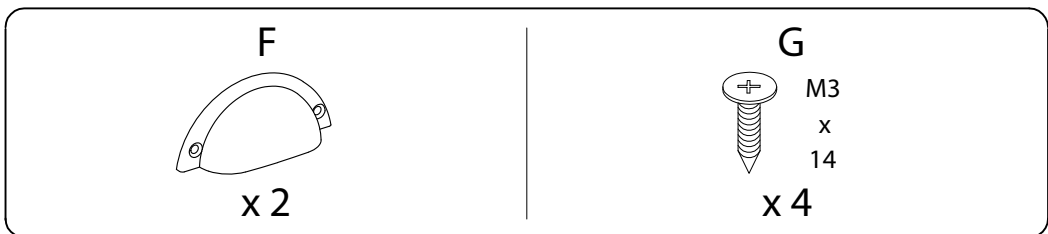
12 x2



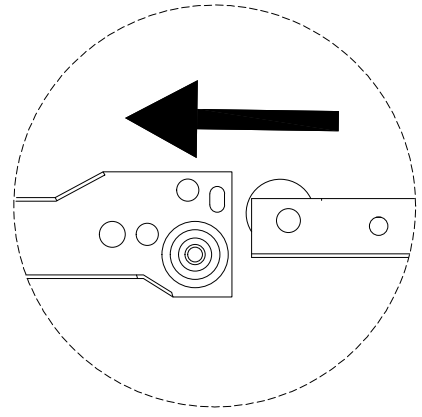
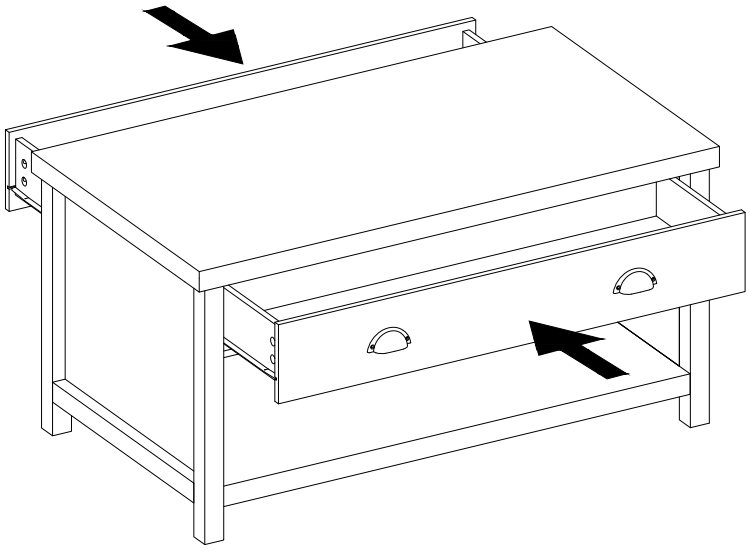
13 x2



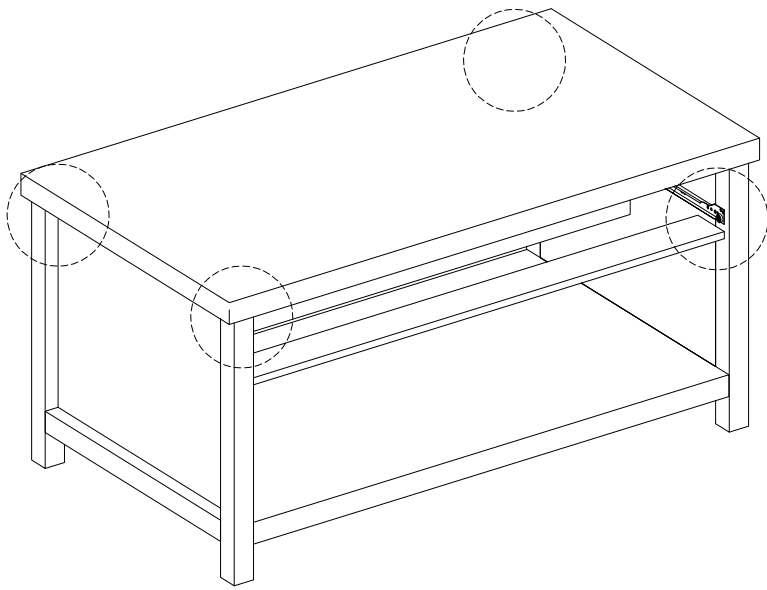
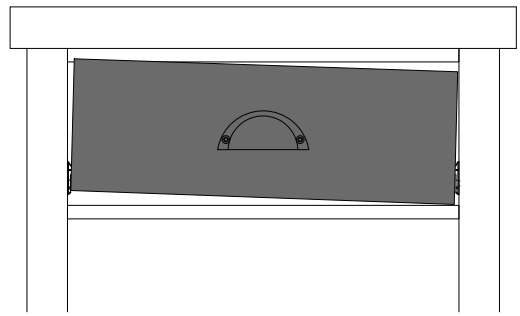
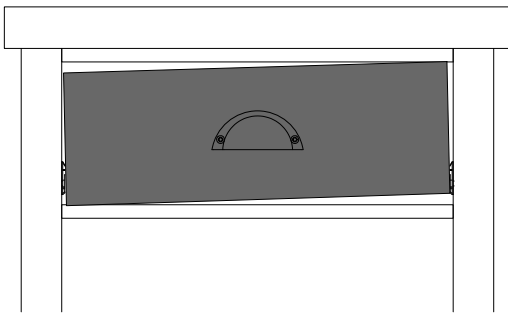
14 x2



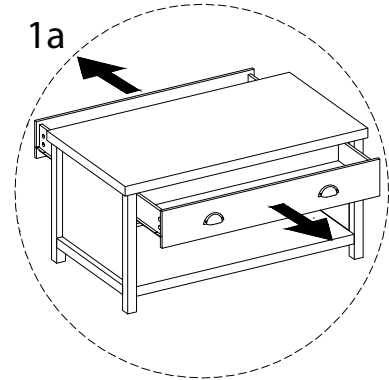
15



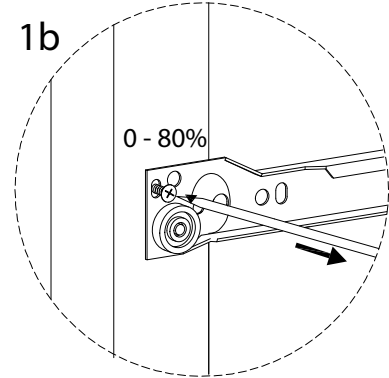
!



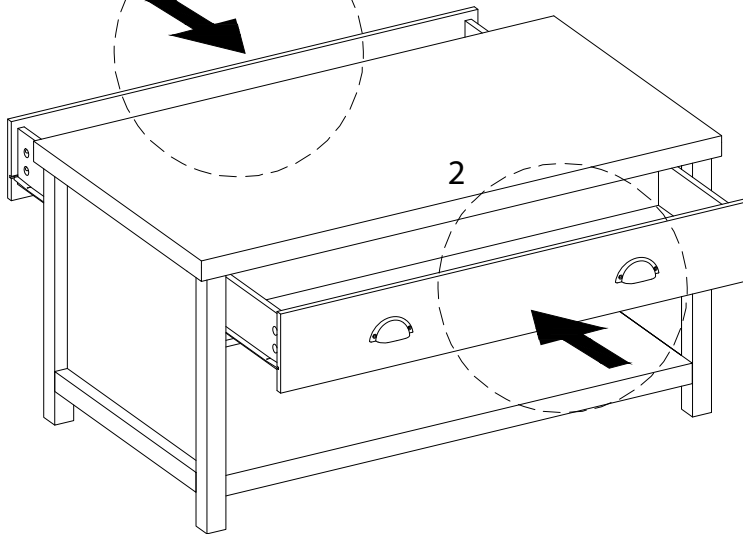
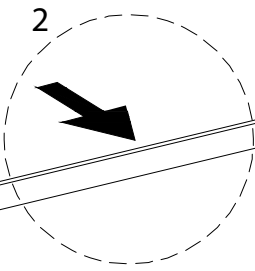
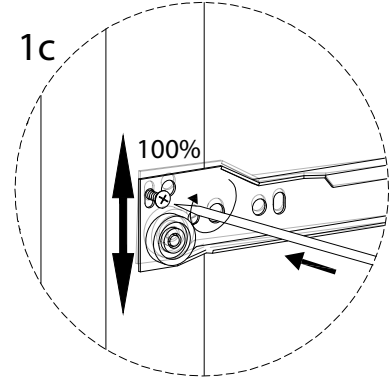
1a



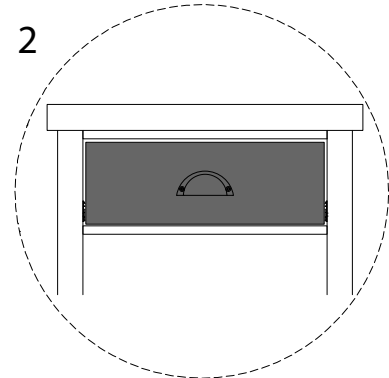
1b



1c



2



16

