







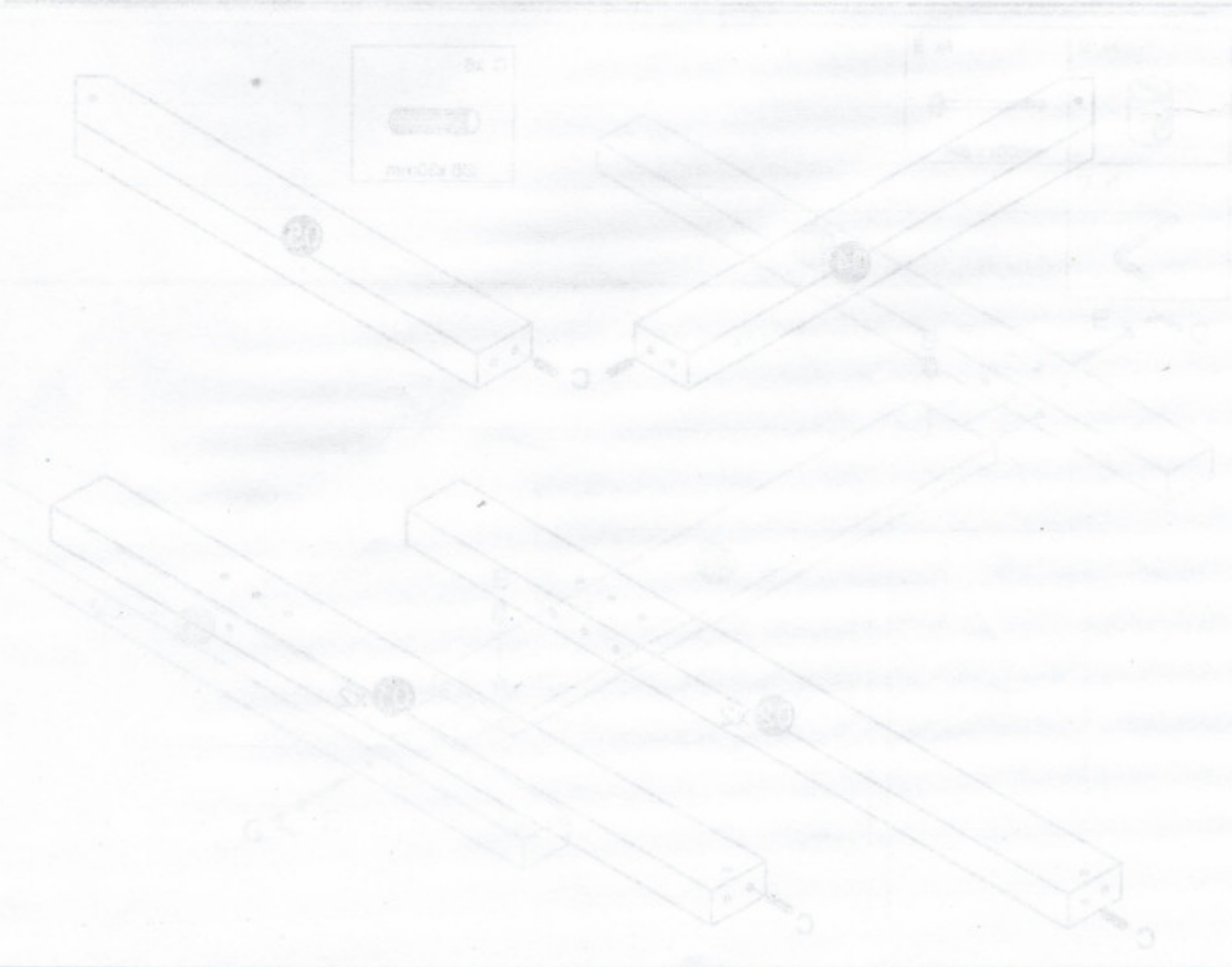
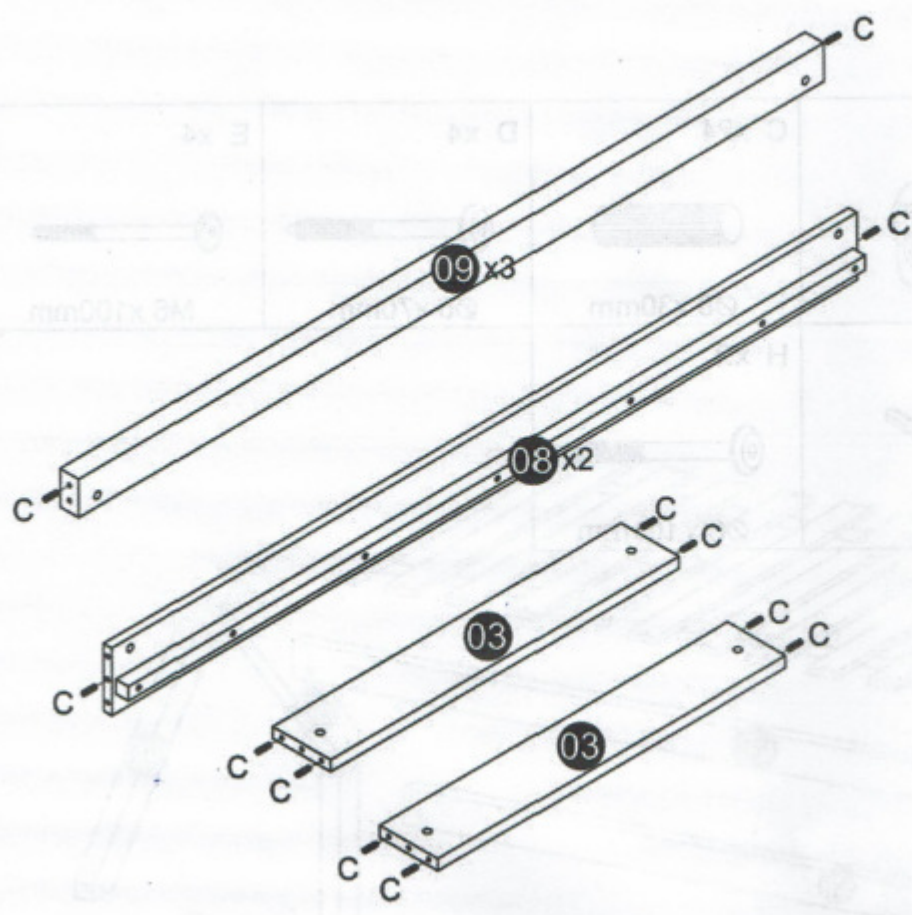

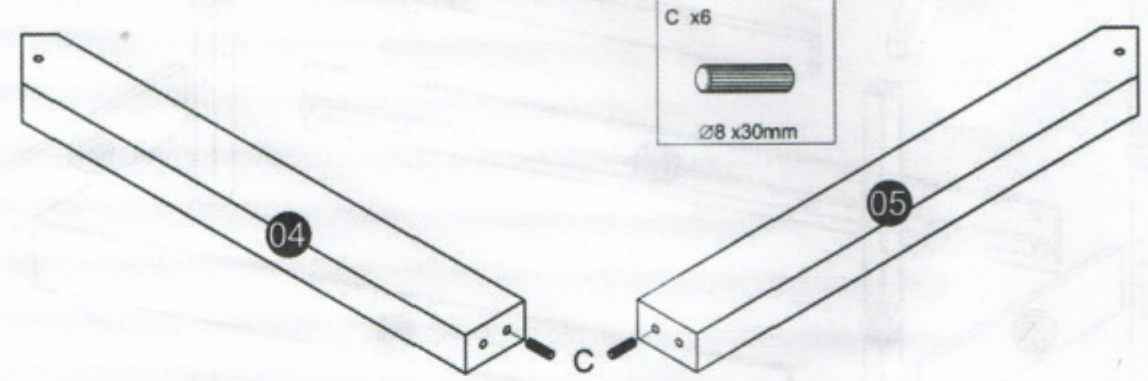



<p>A x14</p>  <p>M6 x80mm</p>	<p>B x18</p> 	<p>C x24</p>  <p>Ø8 x30mm</p>	<p>D x4</p>  <p>Ø6 x70mm</p>	<p>E x4</p>  <p>M6 x100mm</p>
<p>F x20</p>  <p>Ø4 x30mm</p>	<p>G x1</p> 	<p>H x2</p>  <p>Ø6 x100mm</p>		

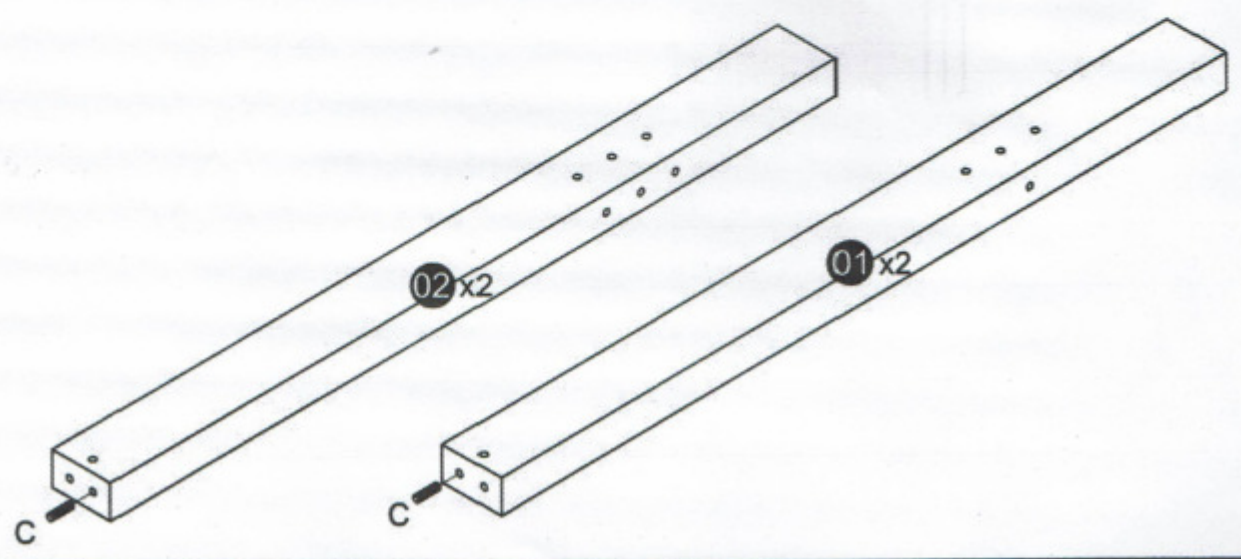






C x18

 Ø8 x30mm

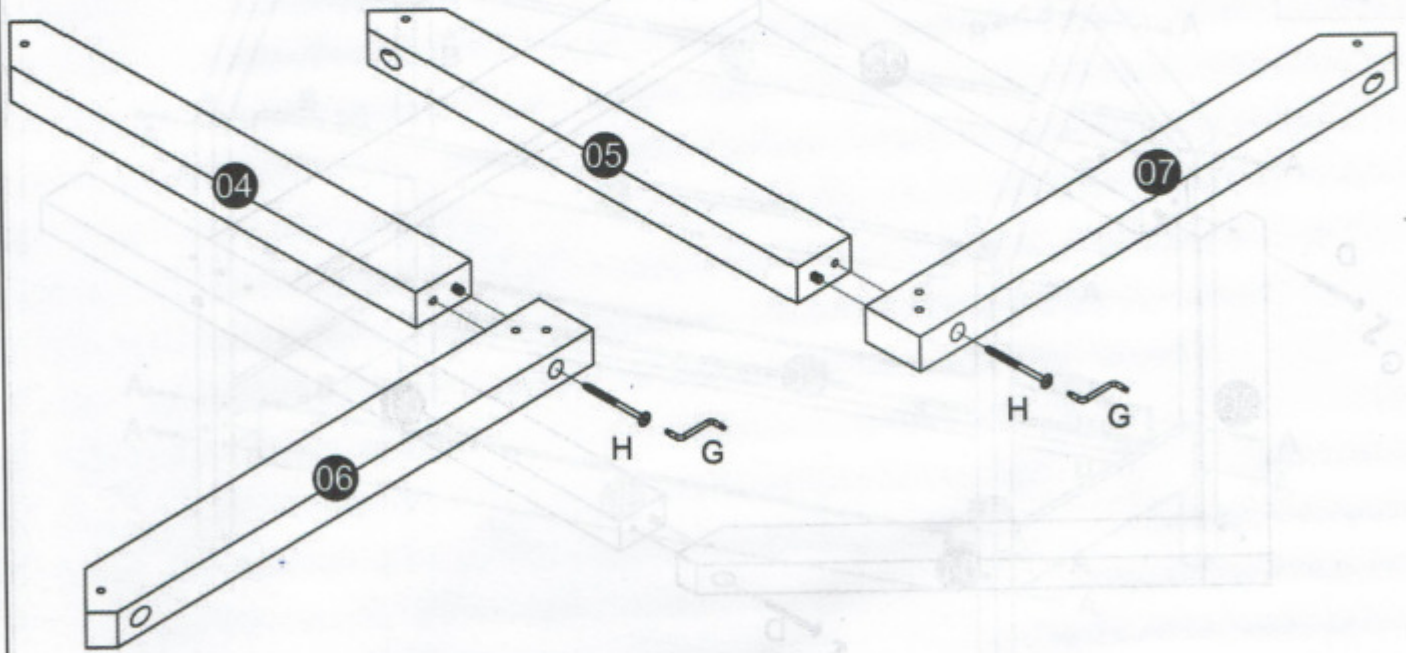




C x6

 Ø8 x30mm



G x1	H x2
	
	Ø6 x100mm

ee



E x4	B x4
	
M6 x100mm	
	G x1
	