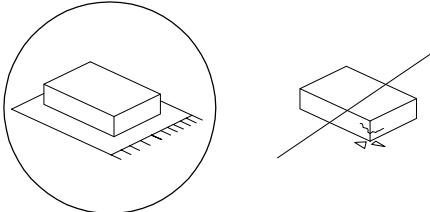
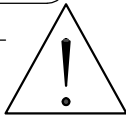
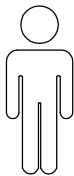
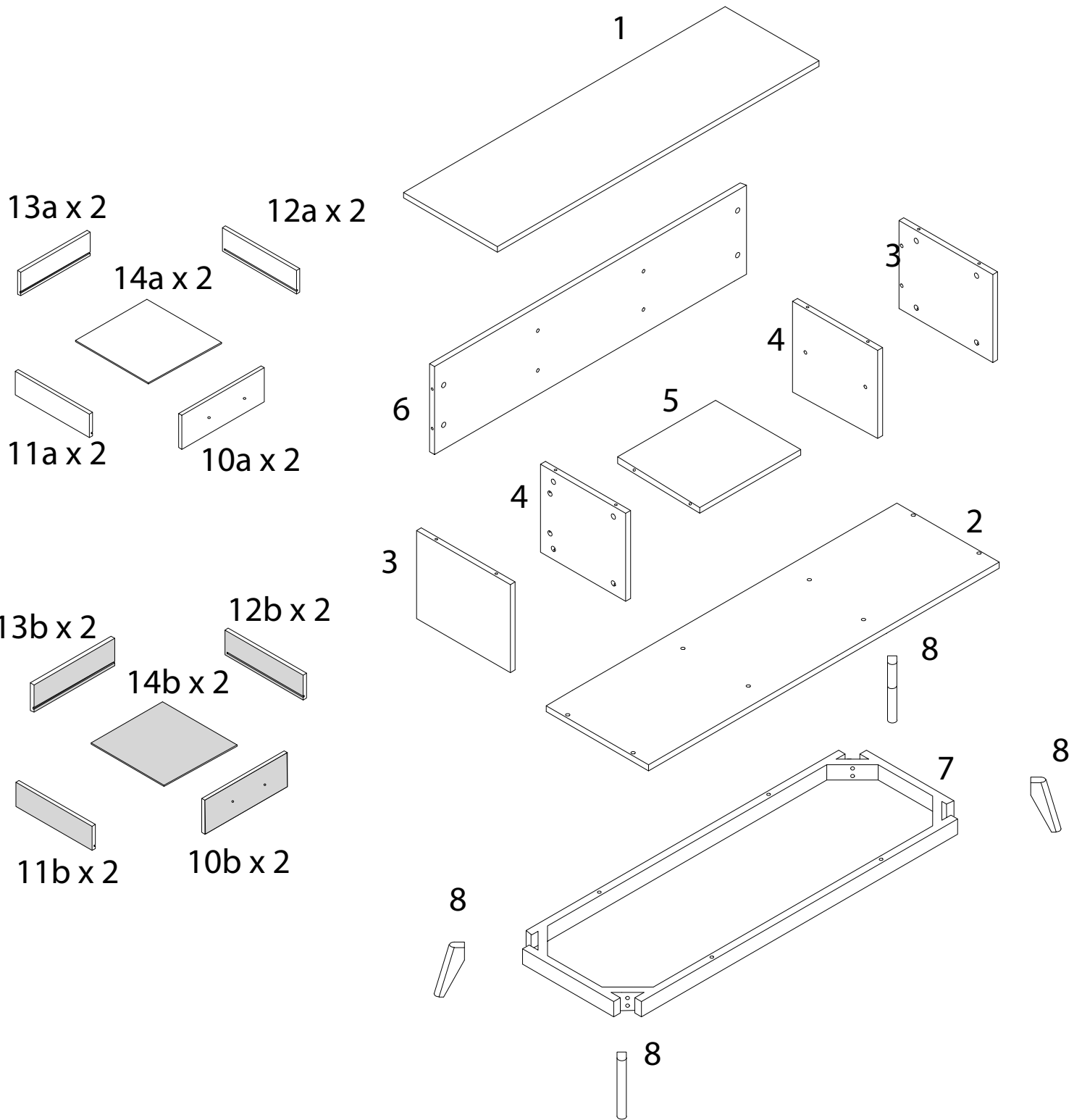
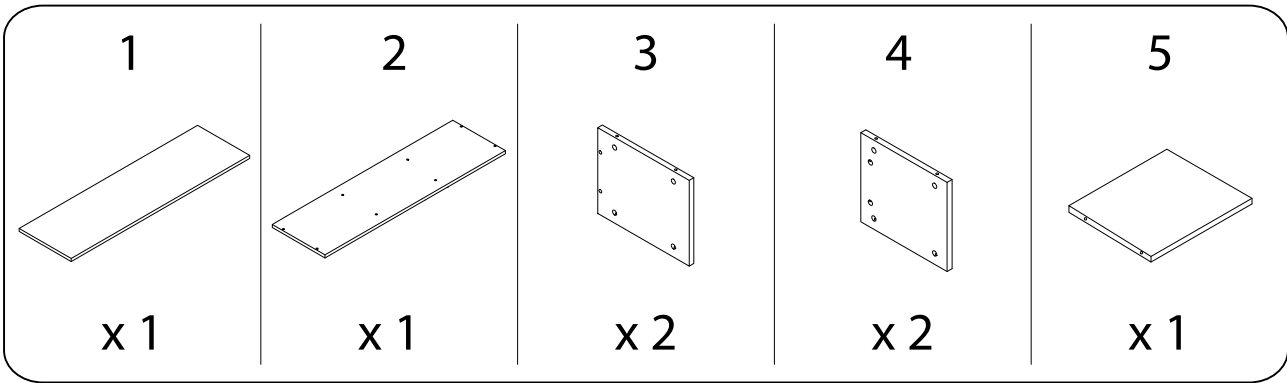
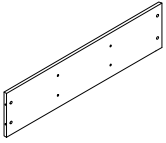
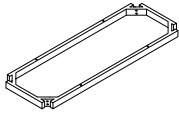

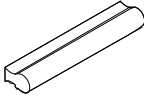
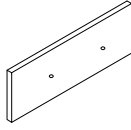
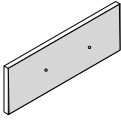
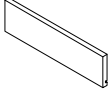
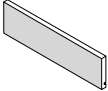
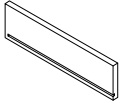
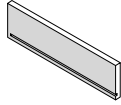
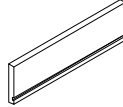
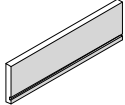
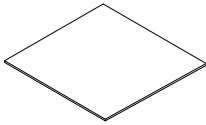
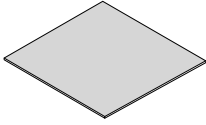
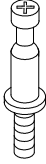

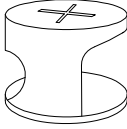

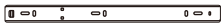

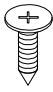
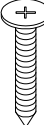
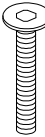
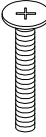
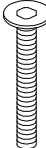


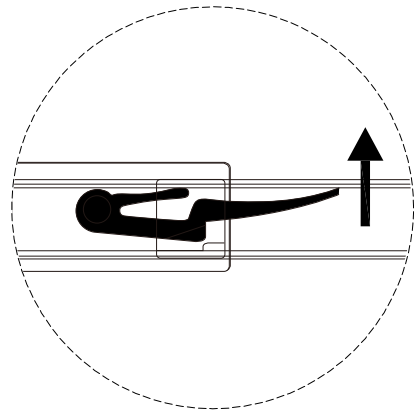
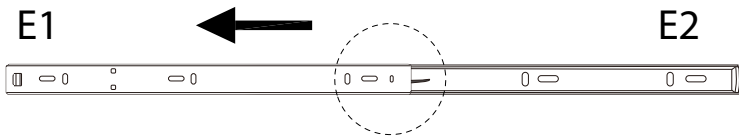

		<p>120'</p>
		
		<p>1</p>

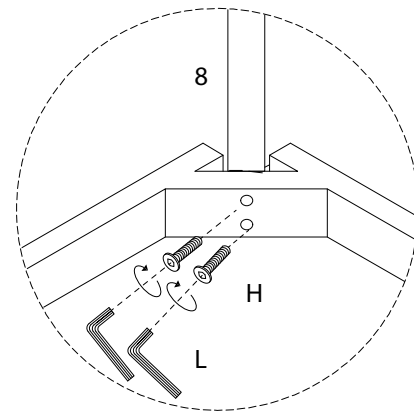
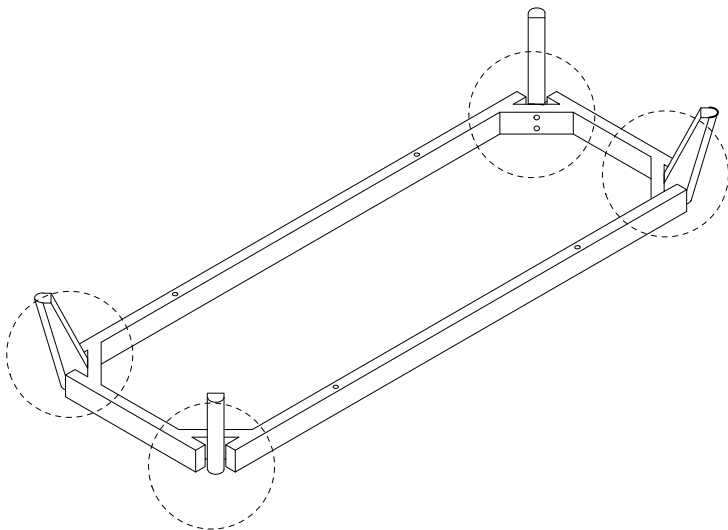
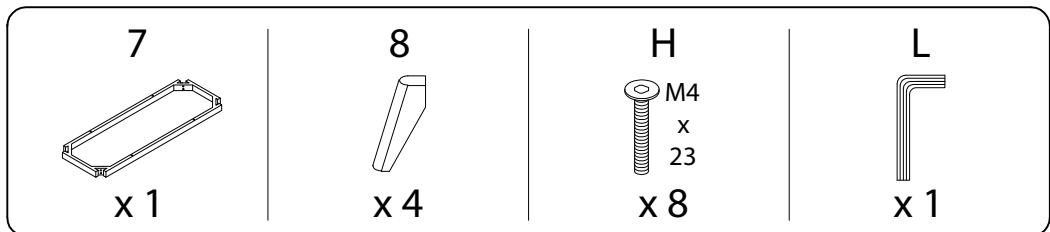


6  x 1	7  x 1	8  x 4	9  x 4	10a  x 2	10b  x 2
11a  x 2	11b  x 2	12a  x 2	12b  x 2	13a  x 2	13b  x 2
14a  x 2	14b  x 2	A  x 32	B  x 16	C  x 32	
D  x 16	E1  x 8	E2  x 8	F  M3.5 x 12 x 32	G  M3.5 x 30 x 16	
H  M4 x 23 x 8	I  M6 x 50 x 8	J  M8 x 60 x 4	K  Ø15 x 4	L  x 1	

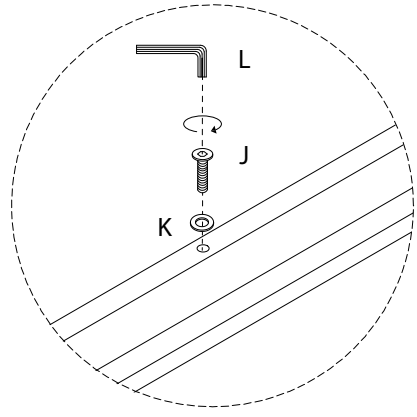
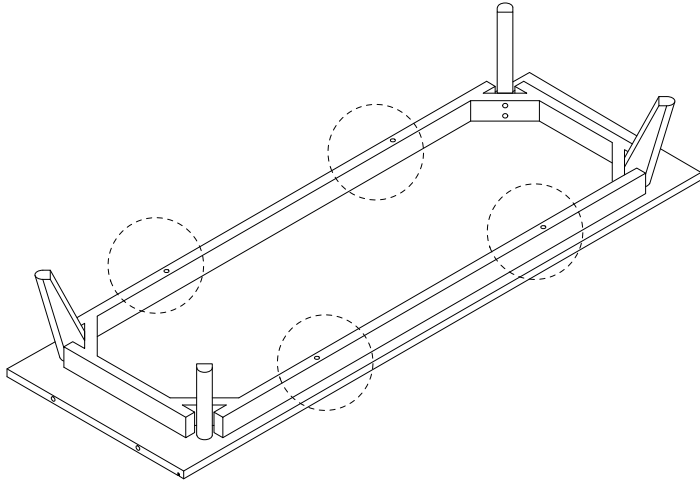
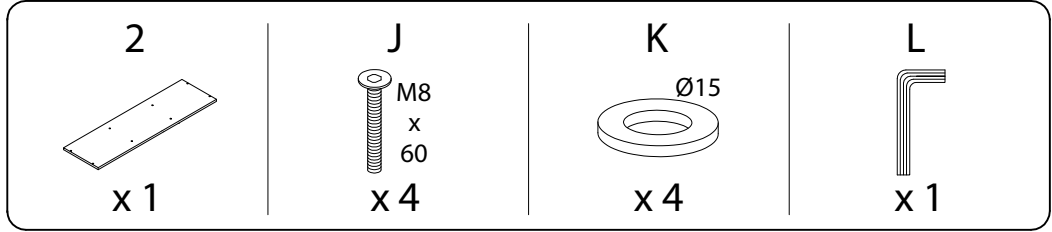
!



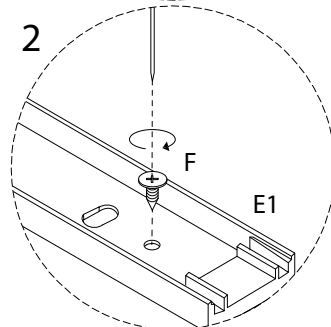
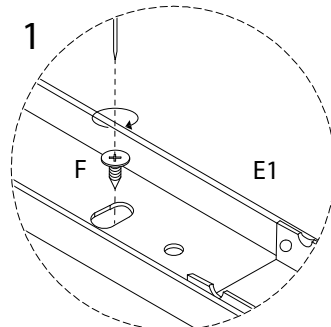
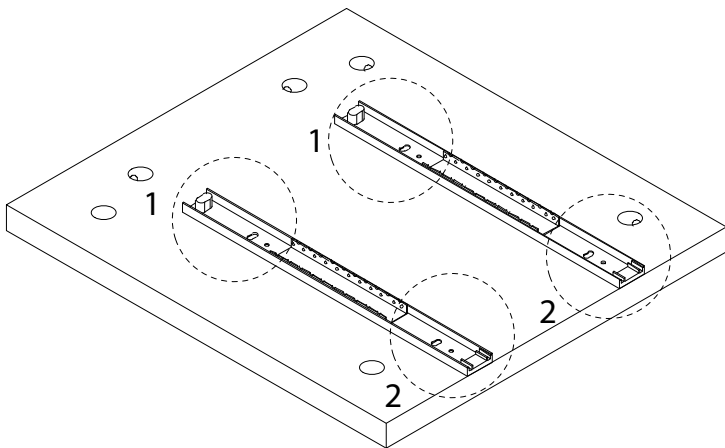
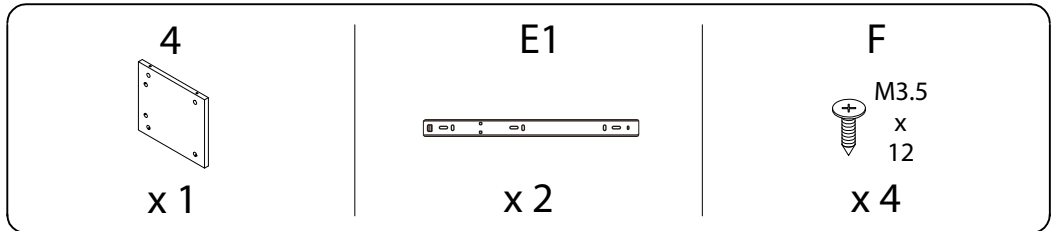
1



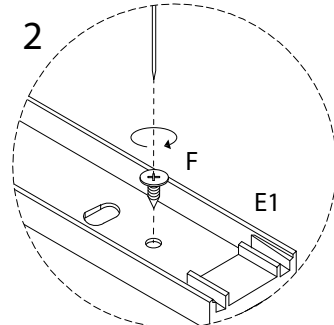
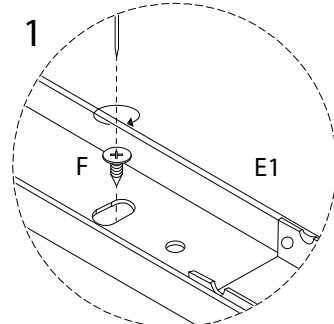
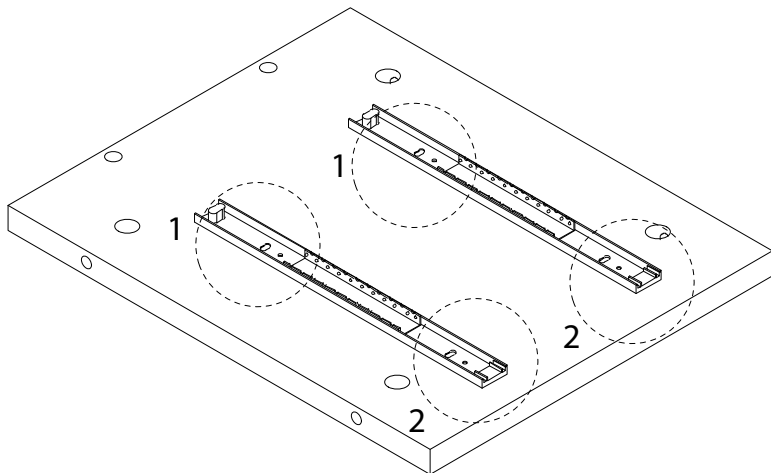
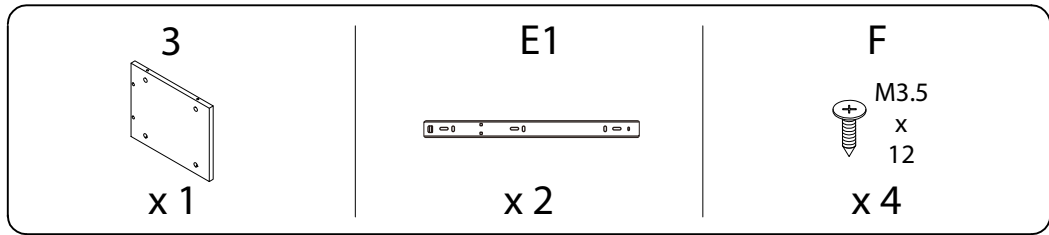
2



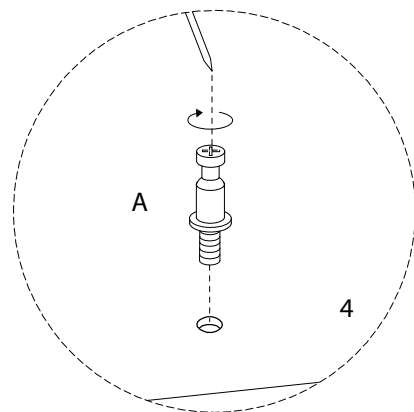
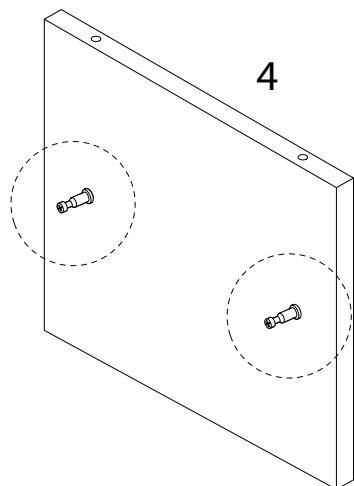
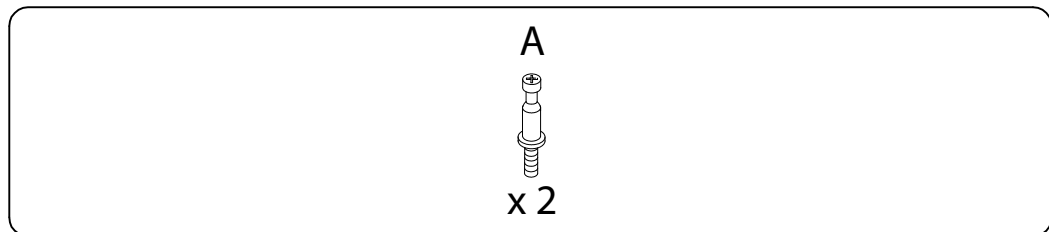
3 x 2



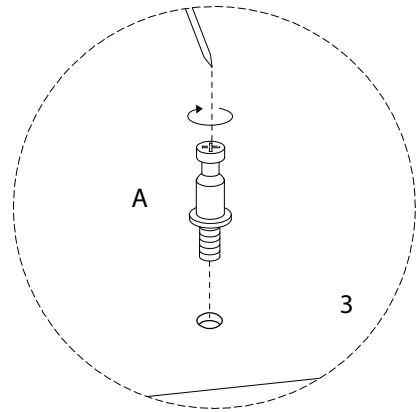
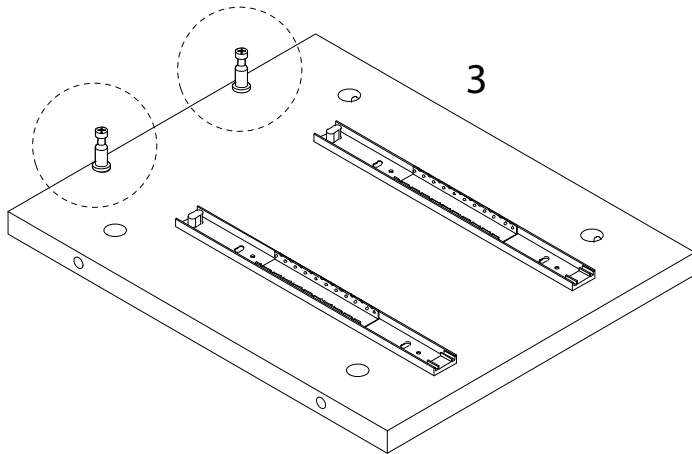
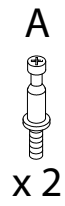
4 x 2



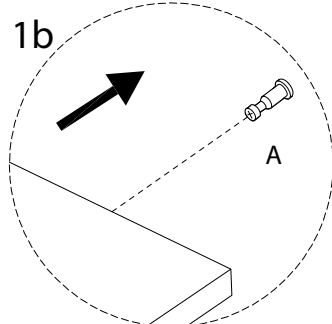
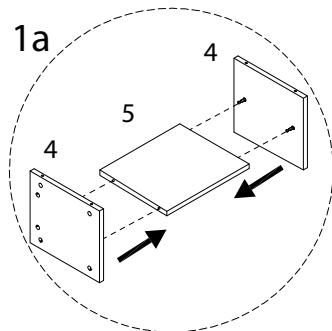
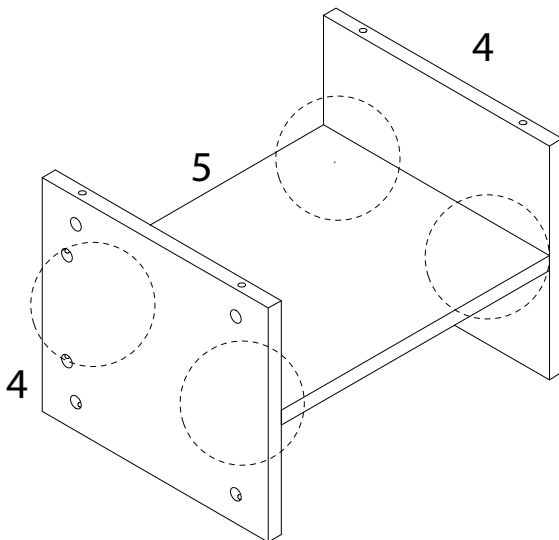
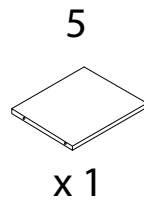
5 x 2



6 x 2

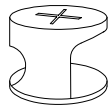


7

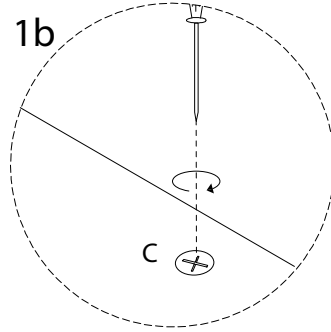
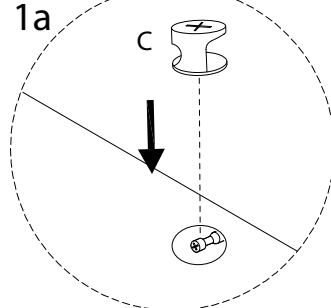
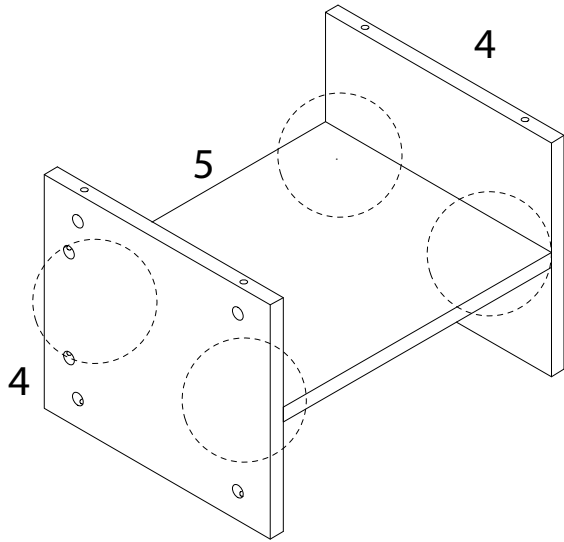


8

C

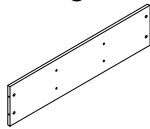


x 4



9

6

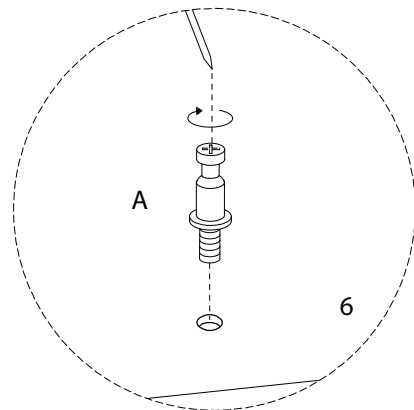
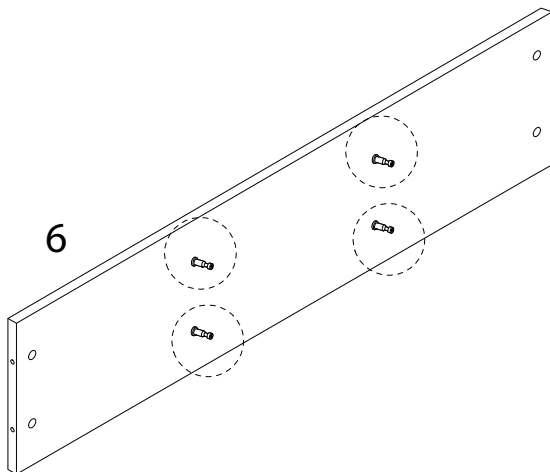


x 1

A

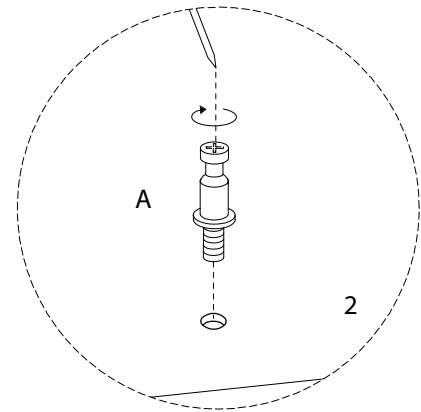
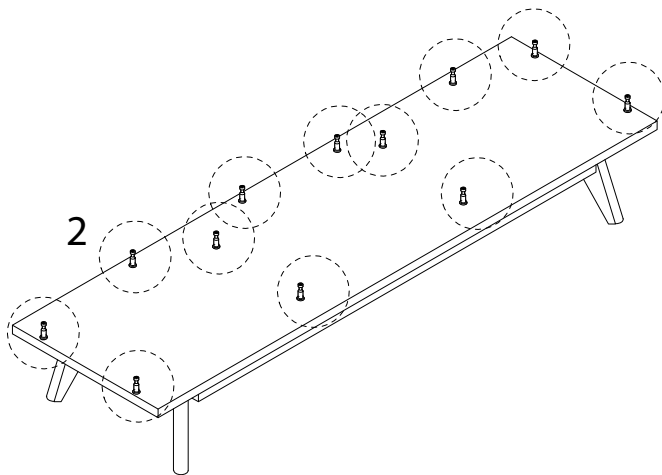
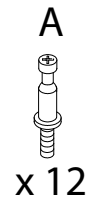


x 4

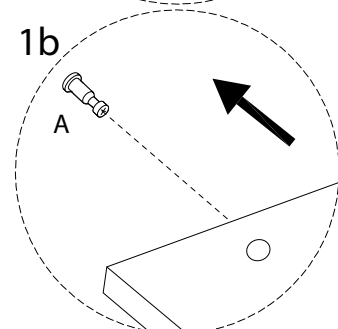
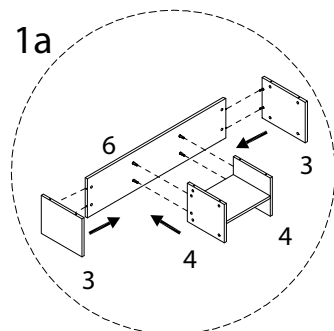
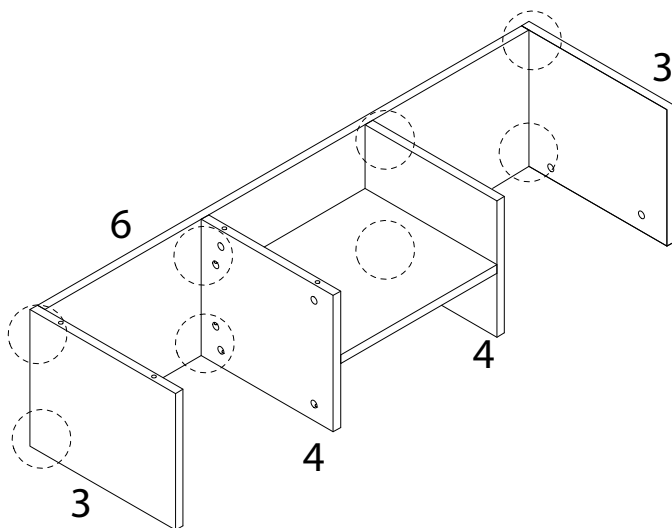




10

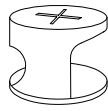


11

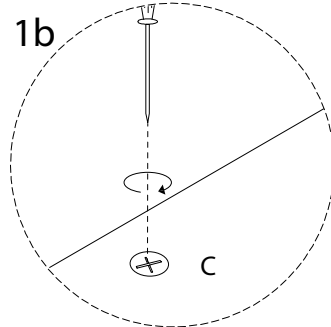
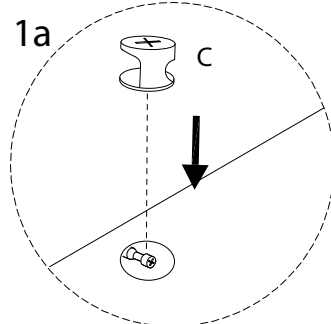
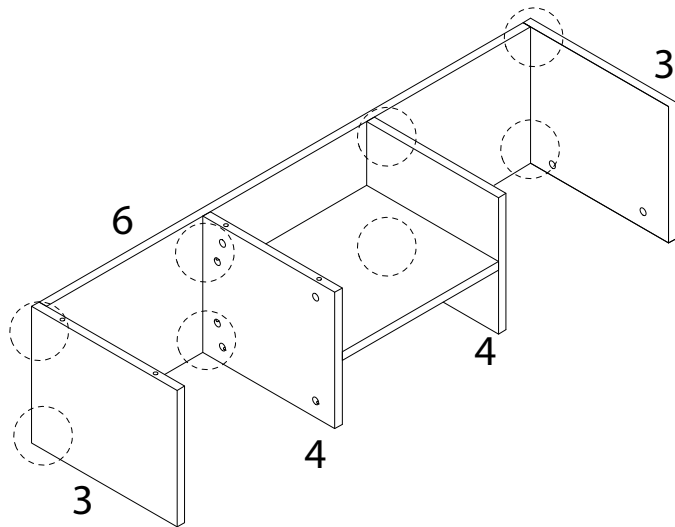


12

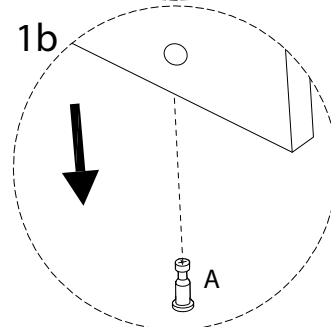
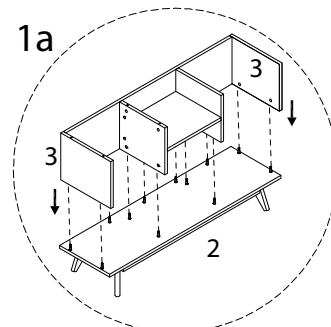
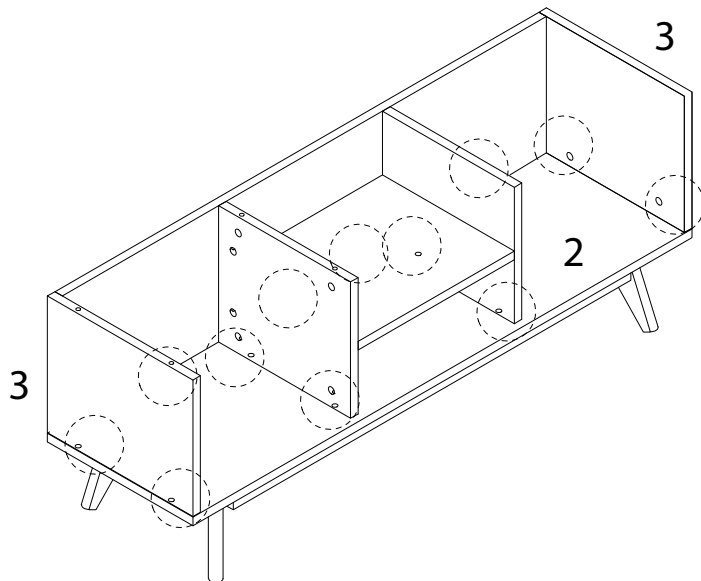
C



x 8

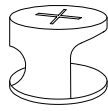


13

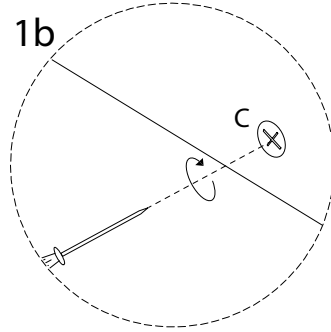
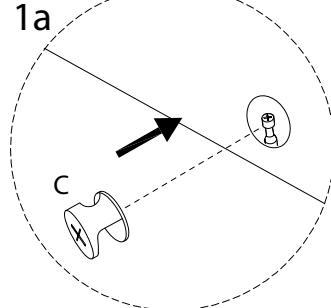
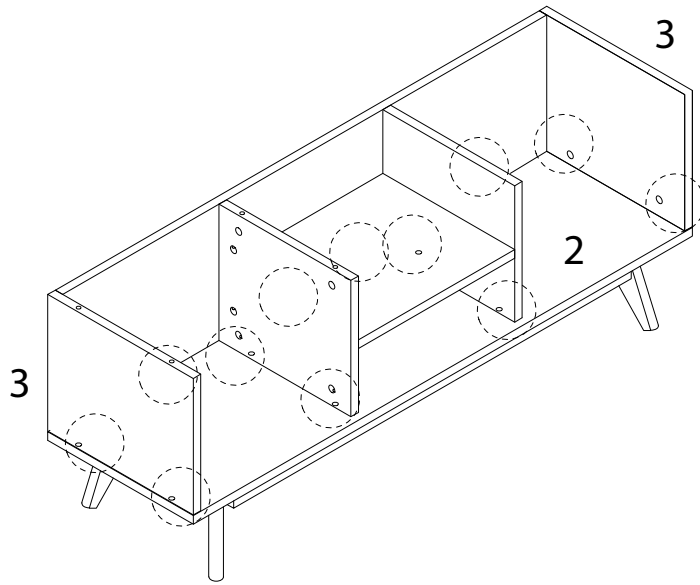


14

C

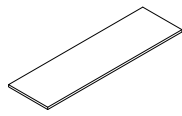


x 12



15

1

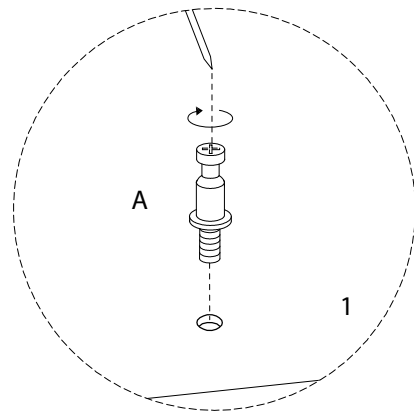
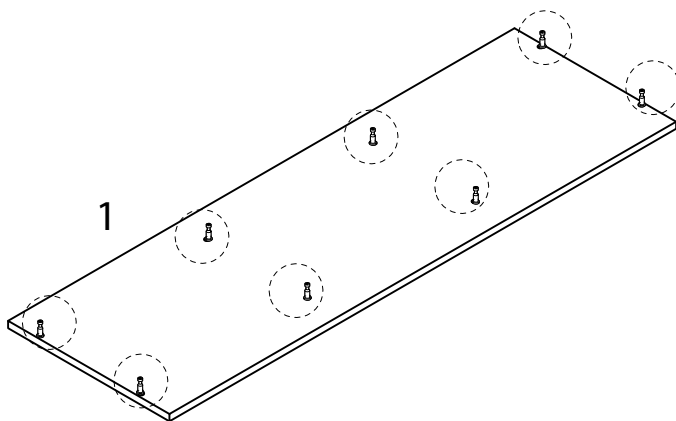


x 1

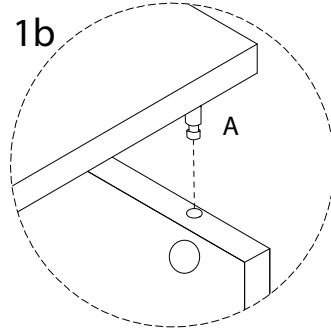
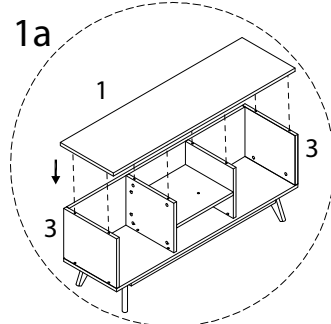
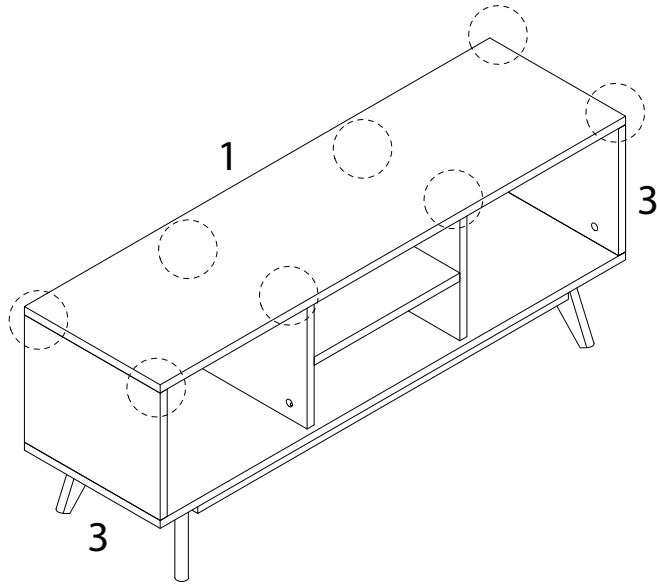
A



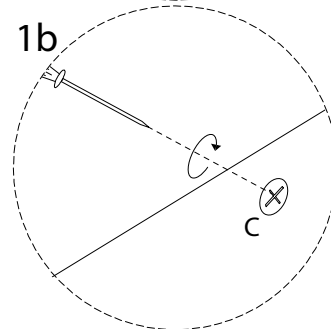
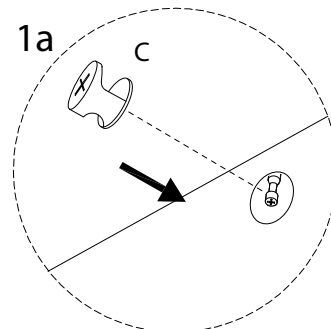
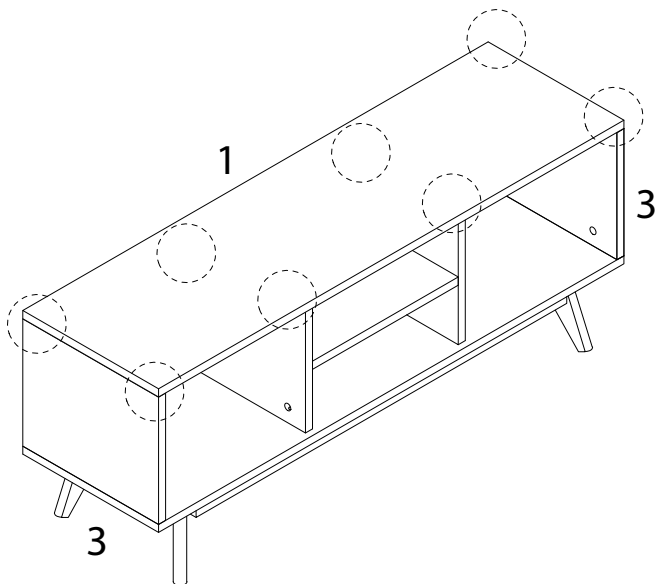
x 8



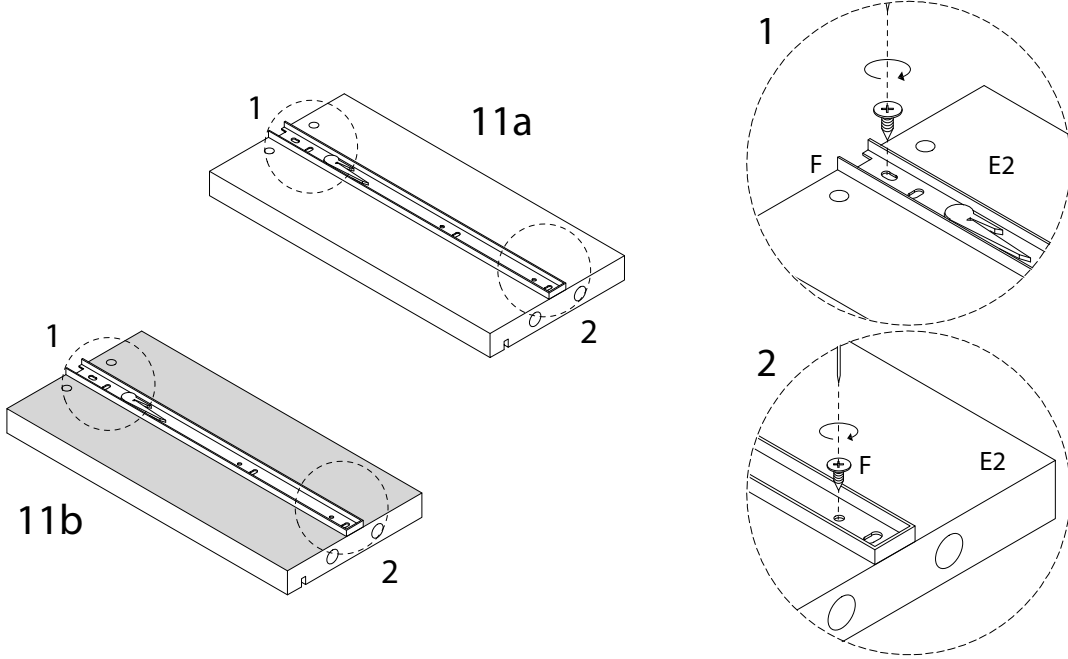
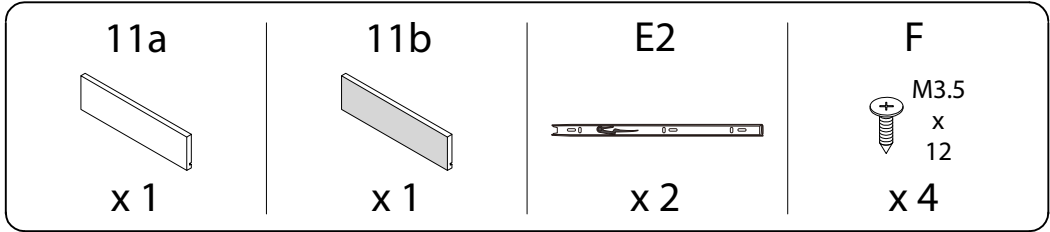
16



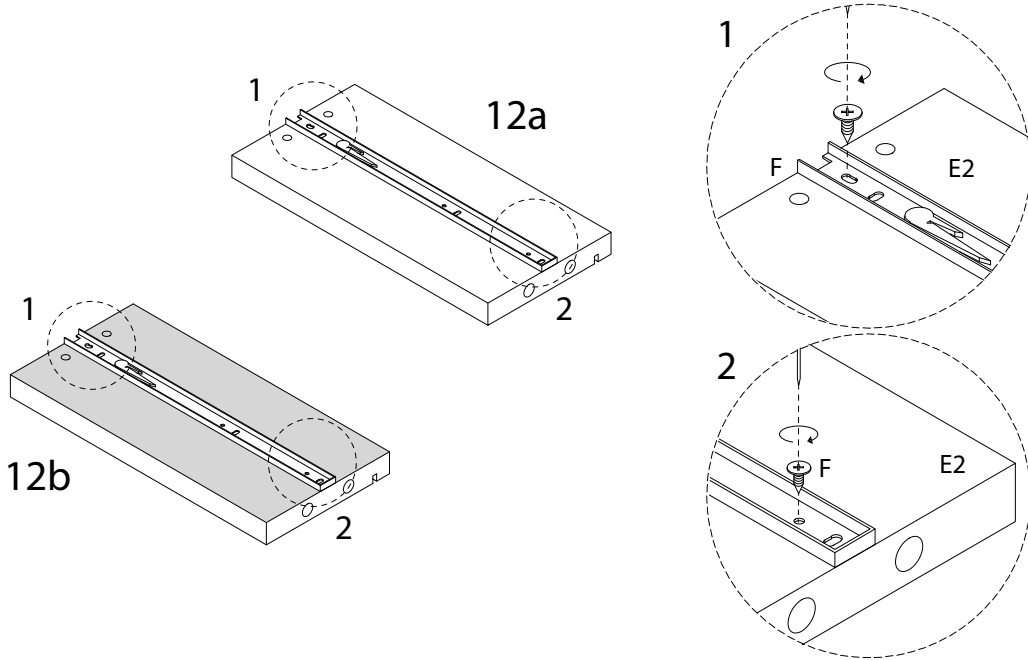
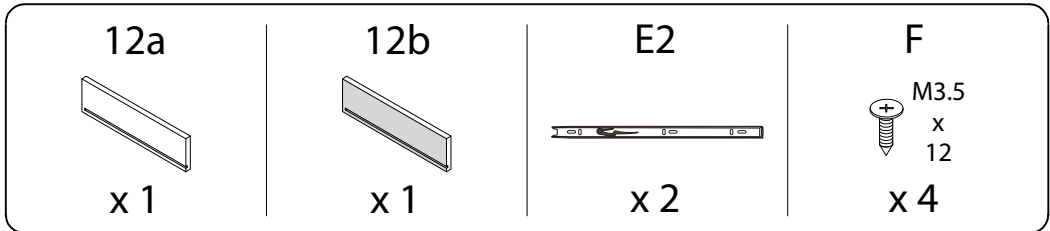
17



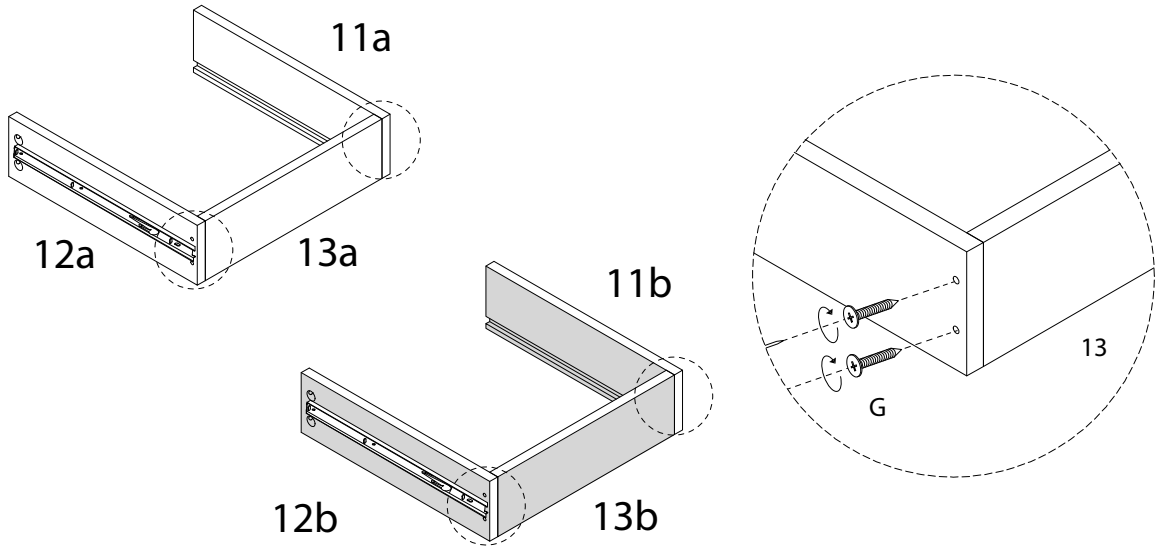
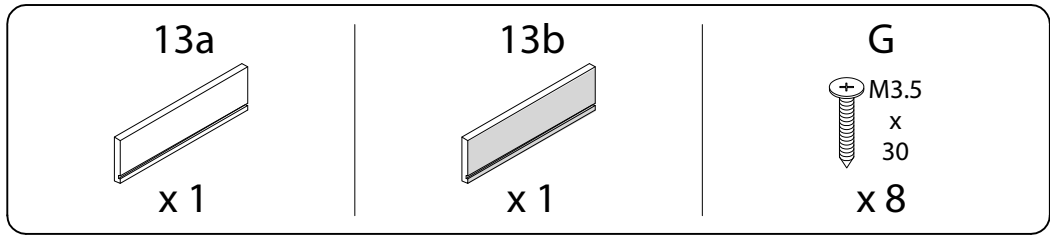
18 x 2



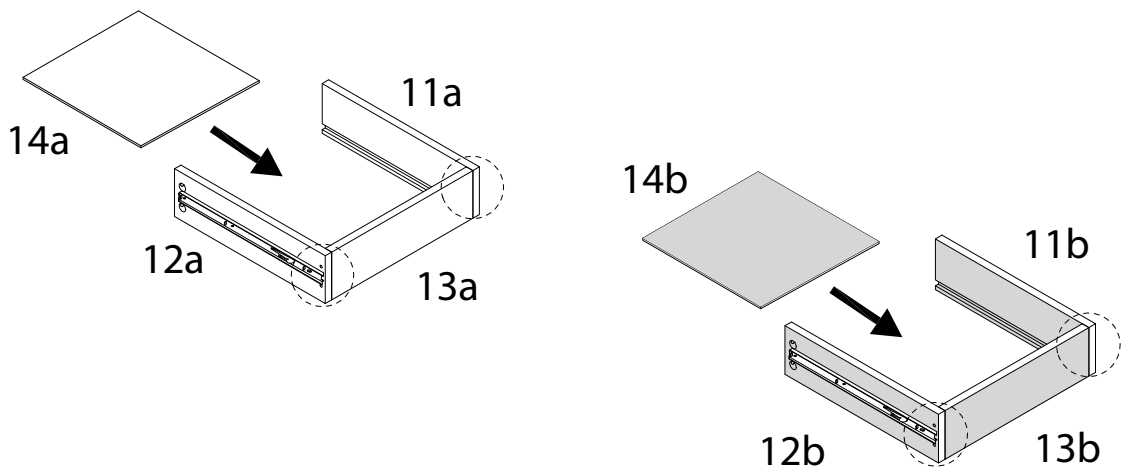
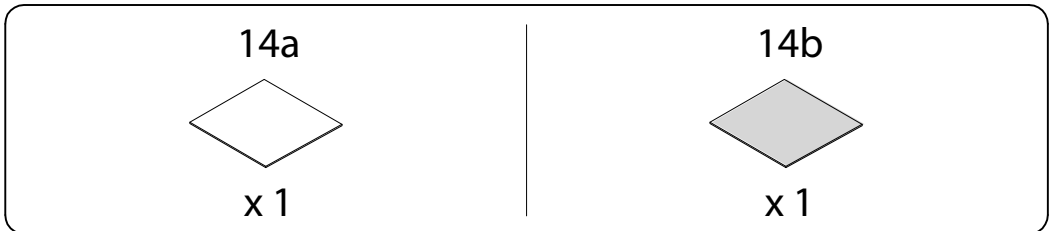
19 x 2



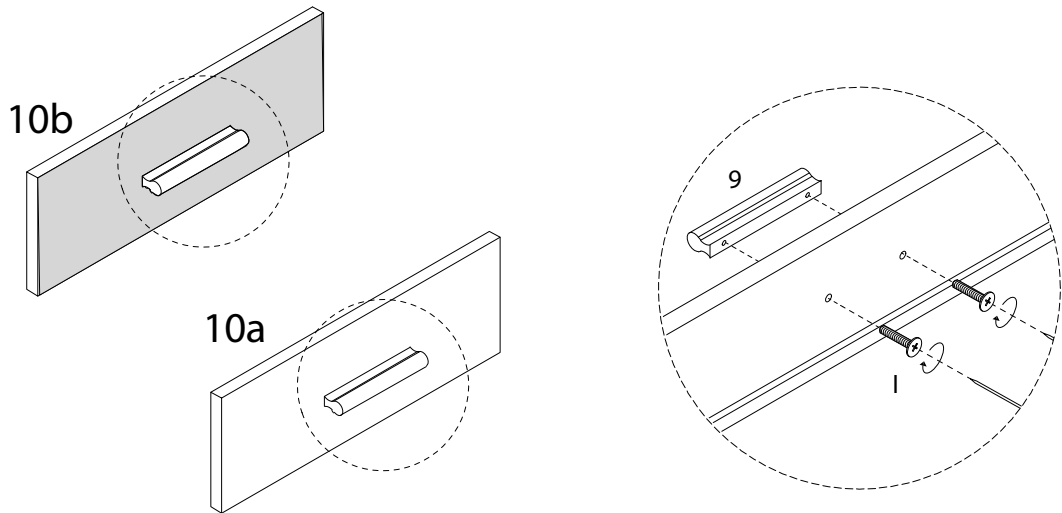
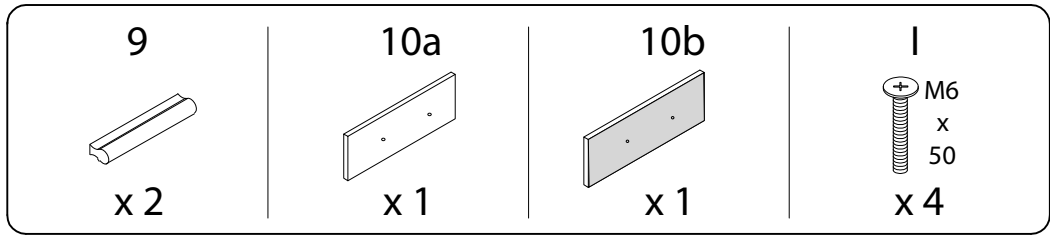
20 x 2



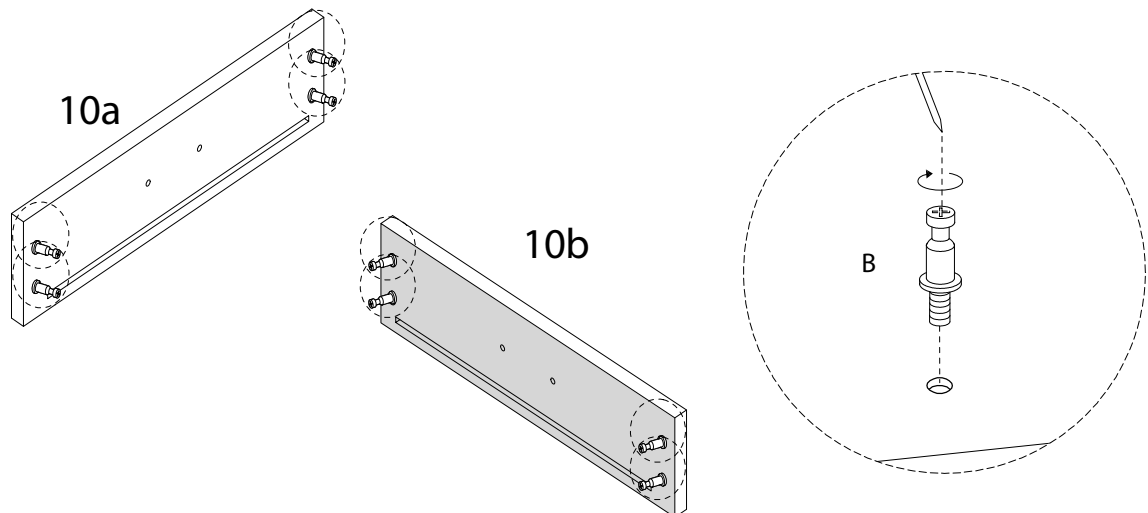
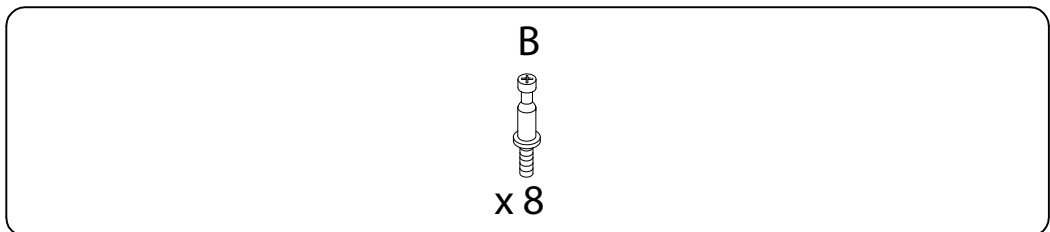
21 x 2



22 x 2



23 x 2

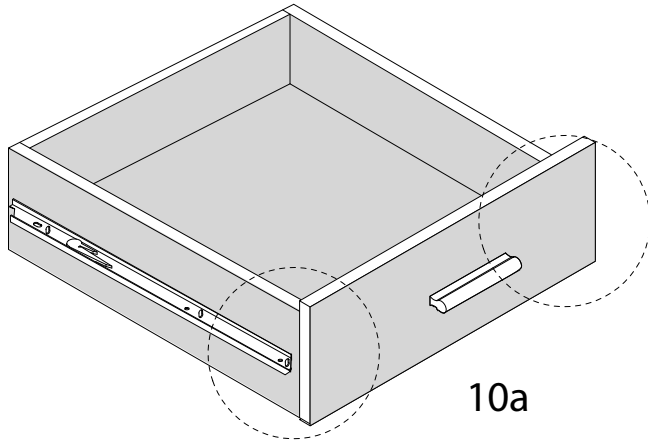


24 x 2

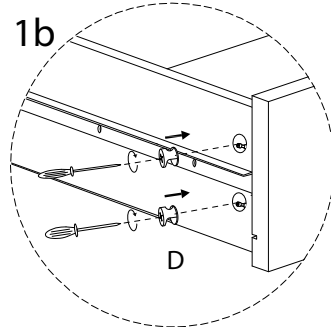
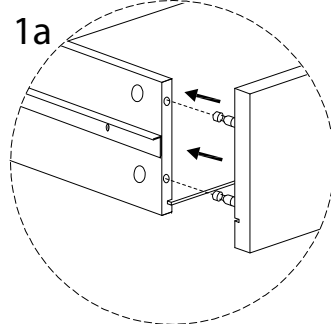
D



x 4



10a

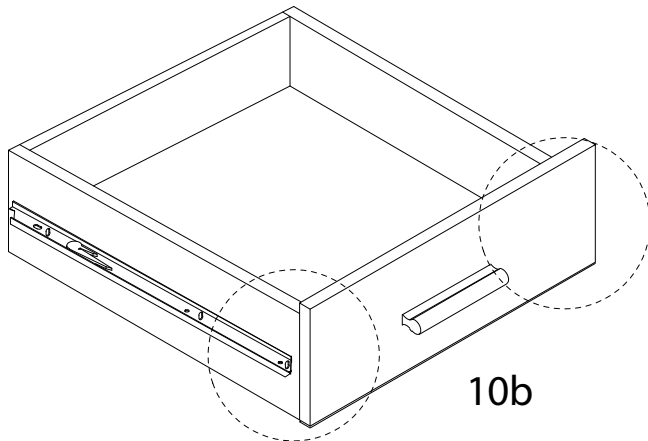


25 x 2

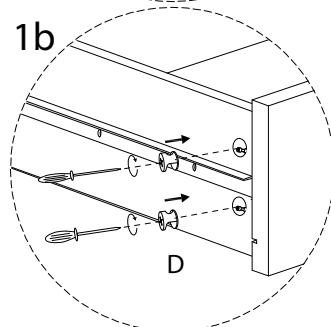
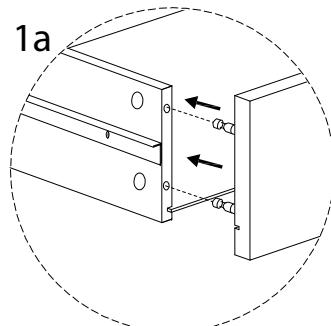
D



x 4



10b





26

