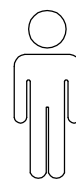
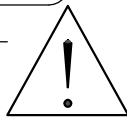
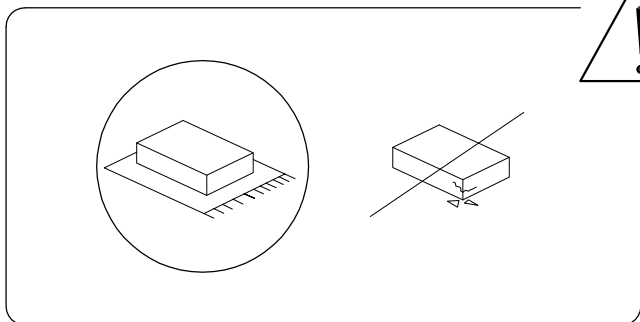
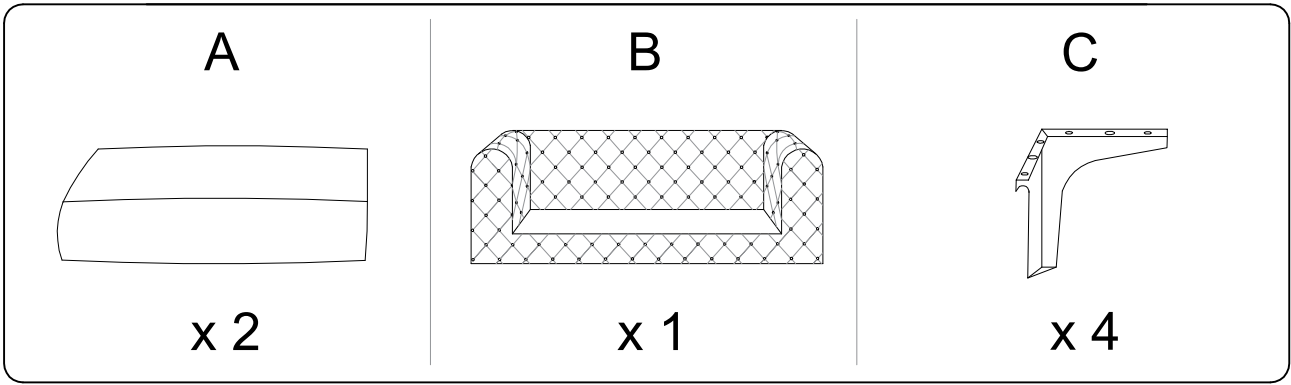


15'

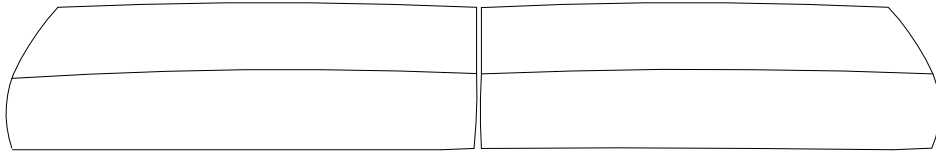


1

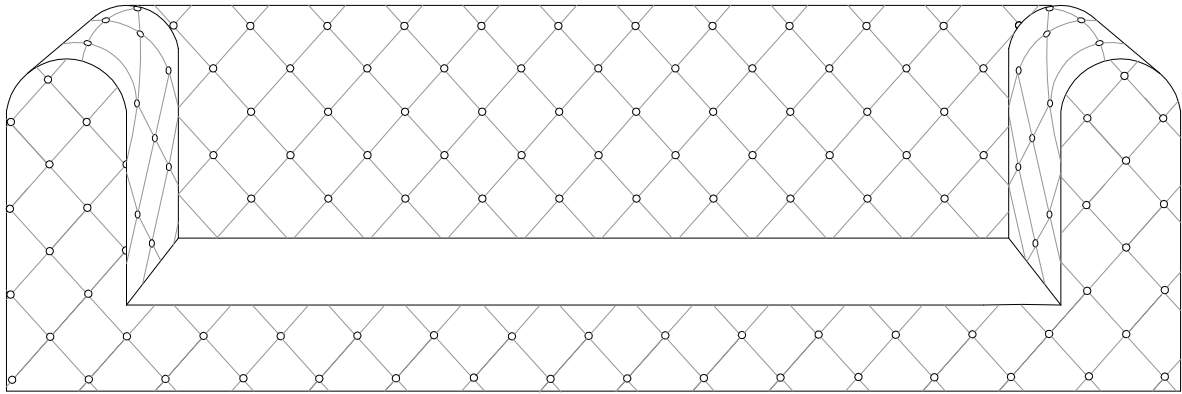
1/3



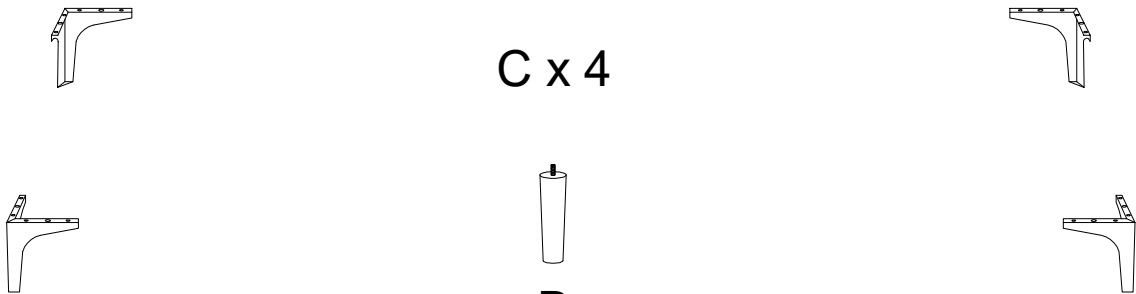
A x 2



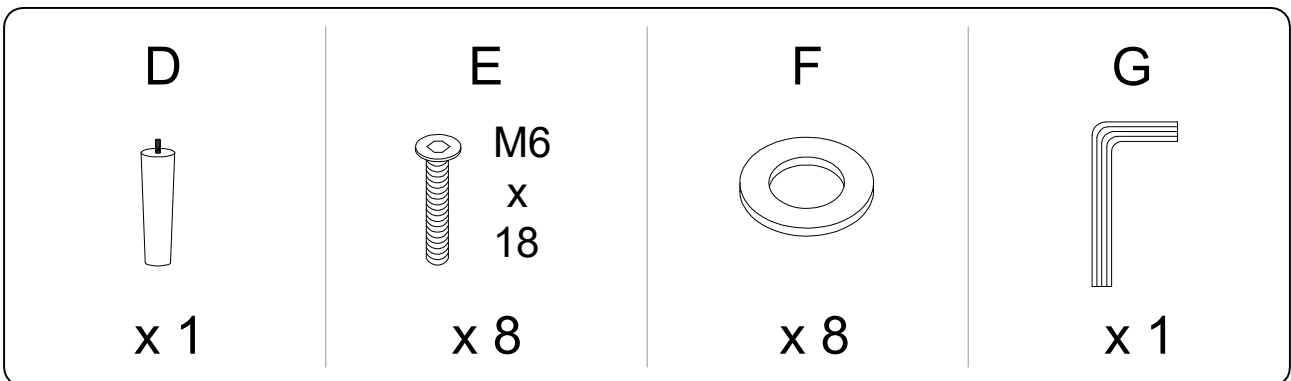
B



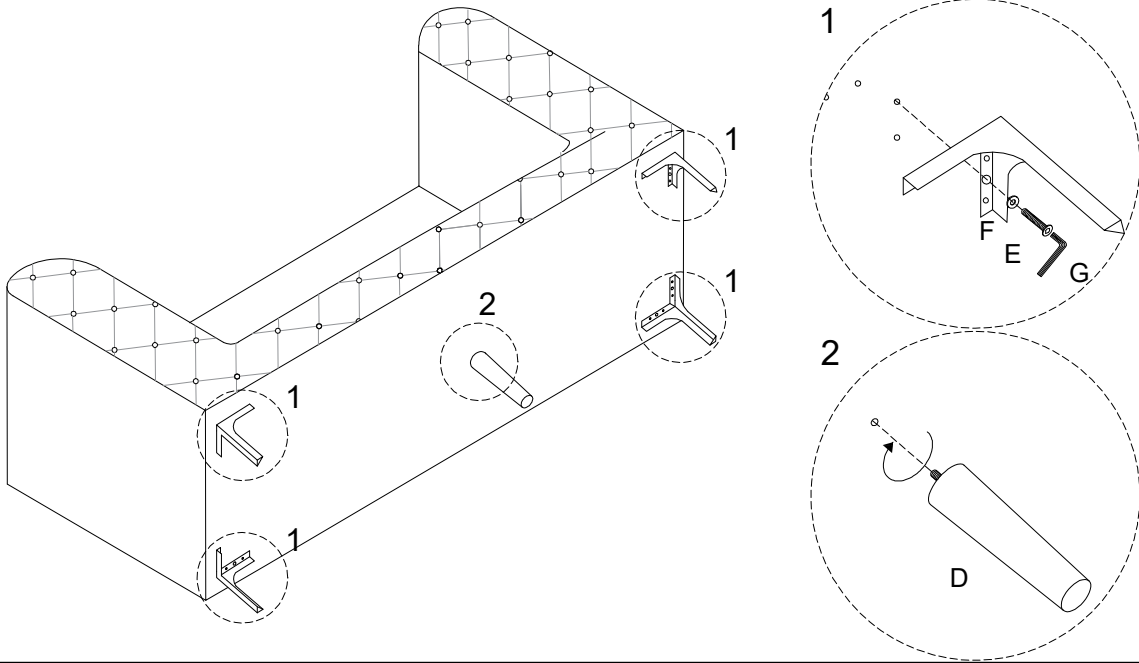
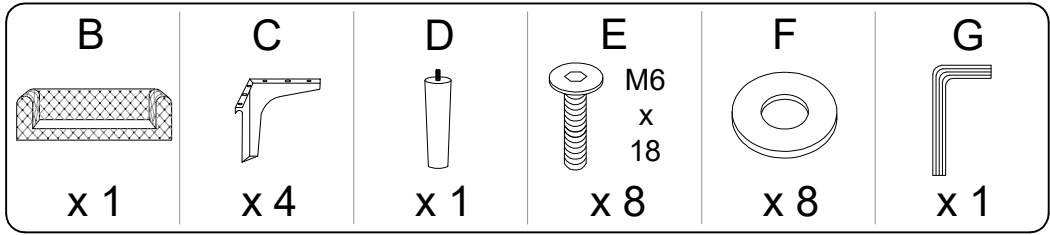
C x 4



D



1



2

