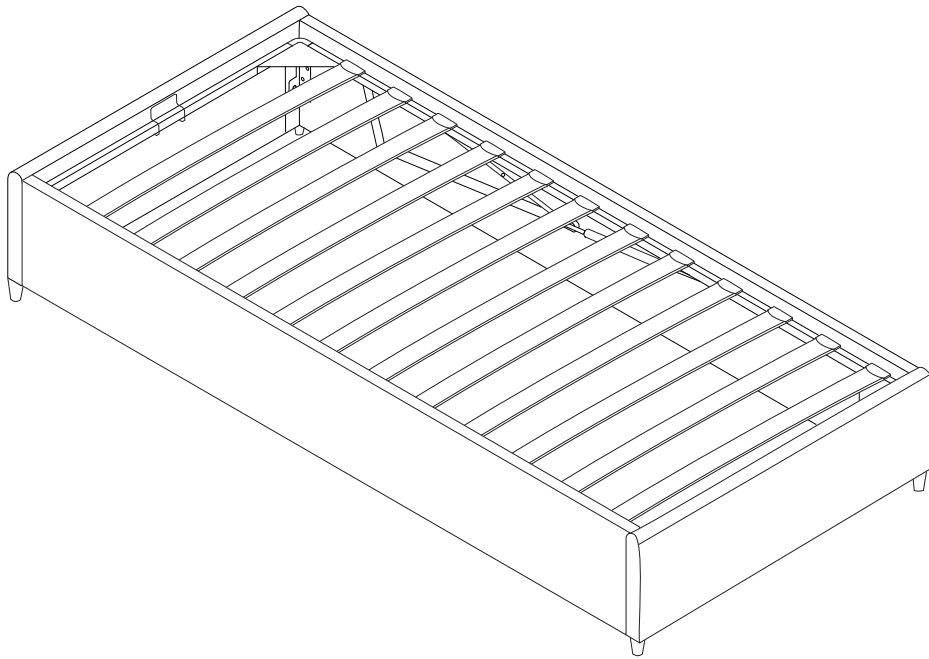
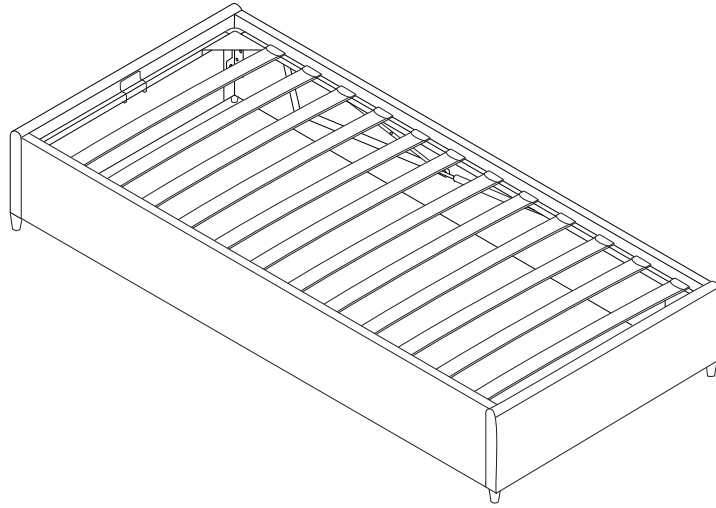


DINAN





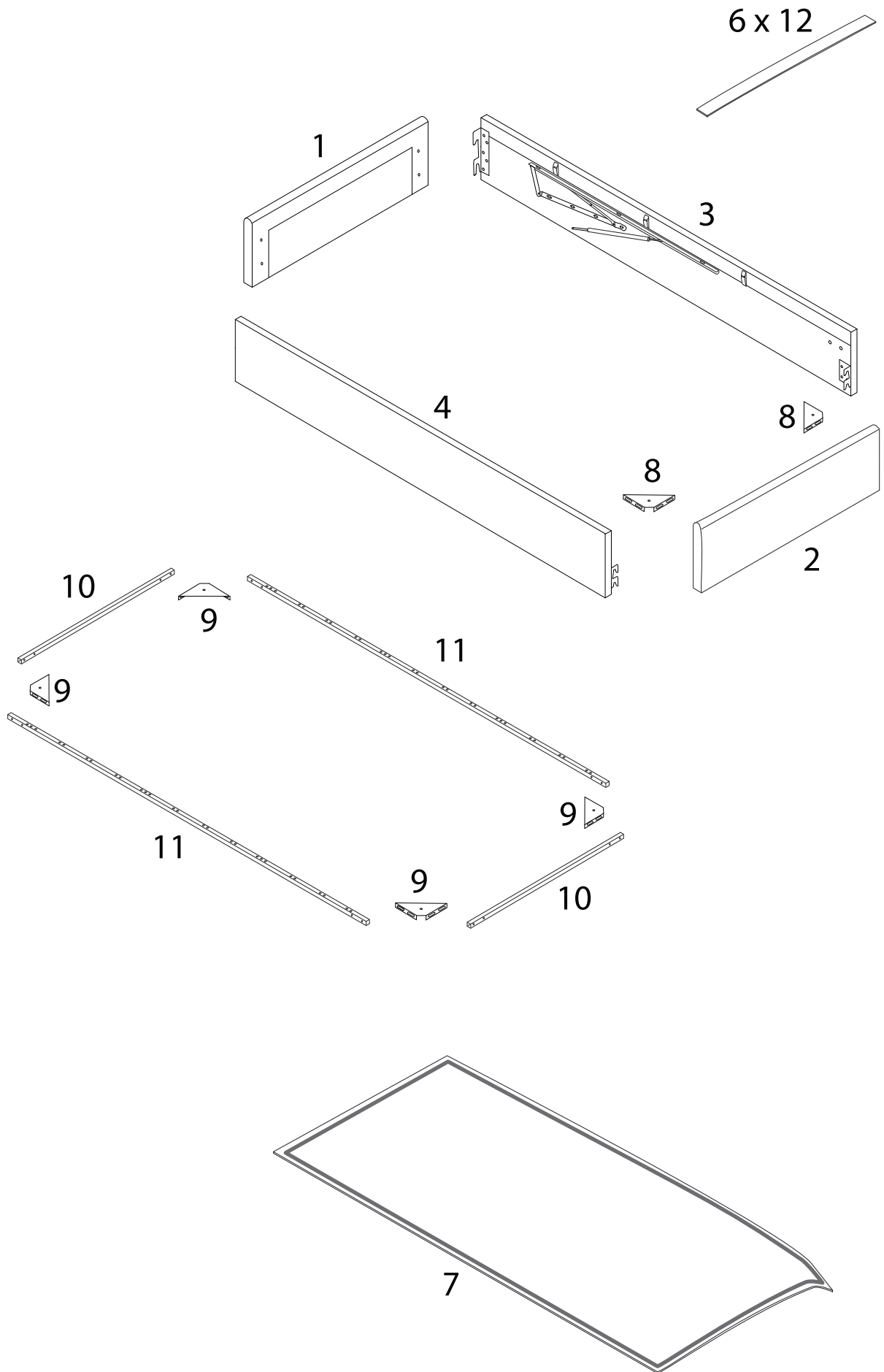
Assembly instructions for the bed frame, including required tools, estimated time, and personnel requirements.

Tools: An L-shaped bracket, a screwdriver, a pair of scissors, a hex key, and a power drill (indicated with a diagonal slash, meaning it is not required).

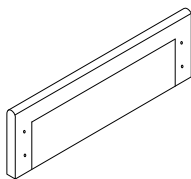
Time: 60 minutes, represented by a clock icon.

Personnel: 2 people, represented by a person icon.

Warnings: Two warning triangles with exclamation marks are present. The first is connected to the tools section. The second is connected to a diagram showing a mattress being placed on the slatted base. The diagram shows the correct placement (mattress on top of slats) and an incorrect placement (slats on top of mattress), with a diagonal slash over the incorrect version.

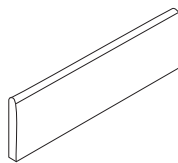


1



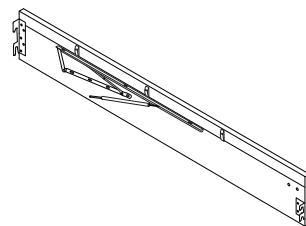
x 1

2



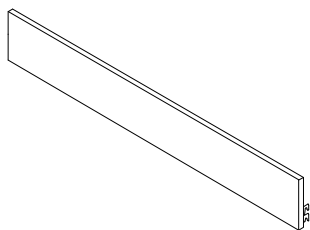
x 1

3



x 1

4



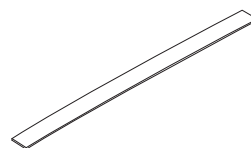
x 1

5



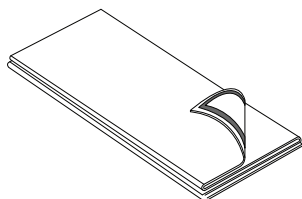
x 24

6



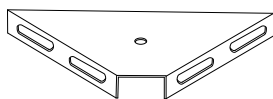
x 12

7



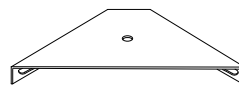
x 1

8



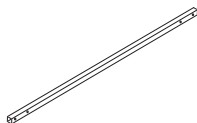
x 2

9



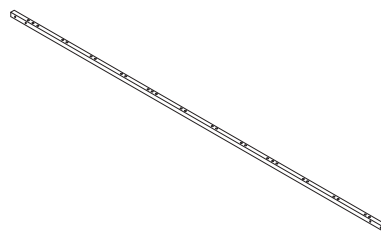
x 4

10



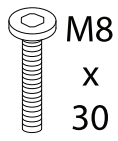
x 2

11



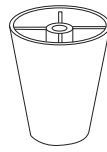
x 2

A



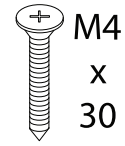
x 16

B



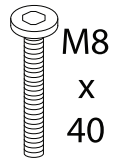
x 4

C



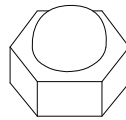
x 4

D



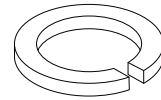
x 22

E



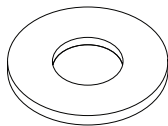
x 22

F



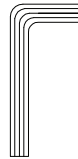
x 16

G



x 16

H



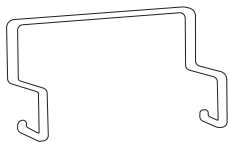
x 1

I



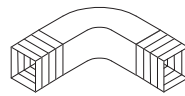
x 1

J



x 1

K



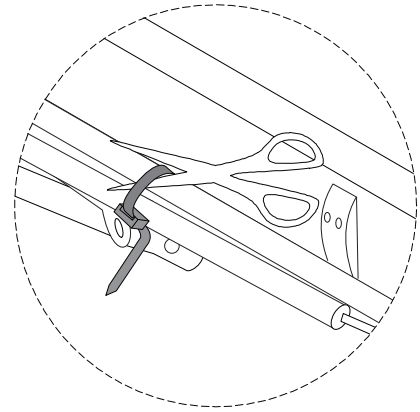
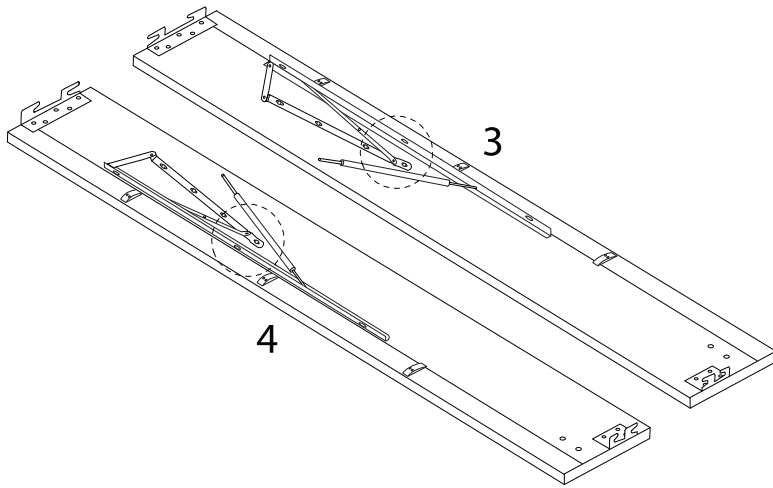
x 4

L

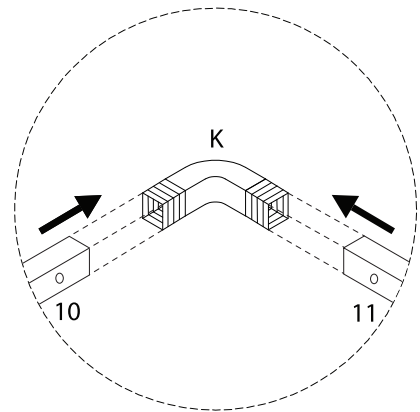
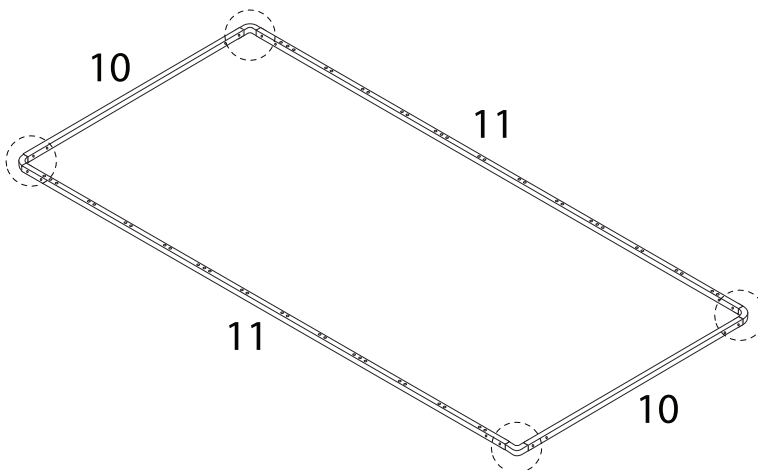
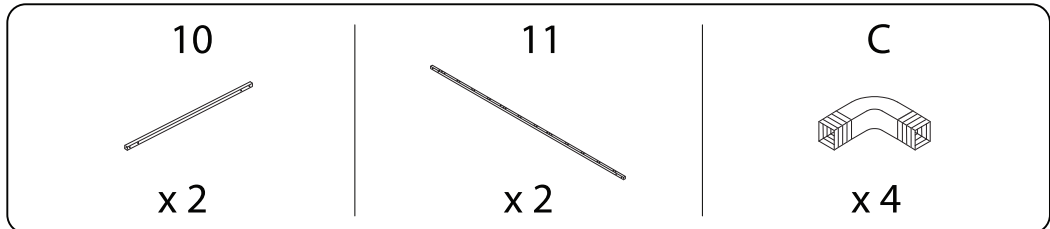


x 1

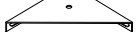
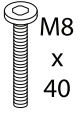
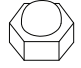
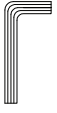
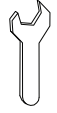
!

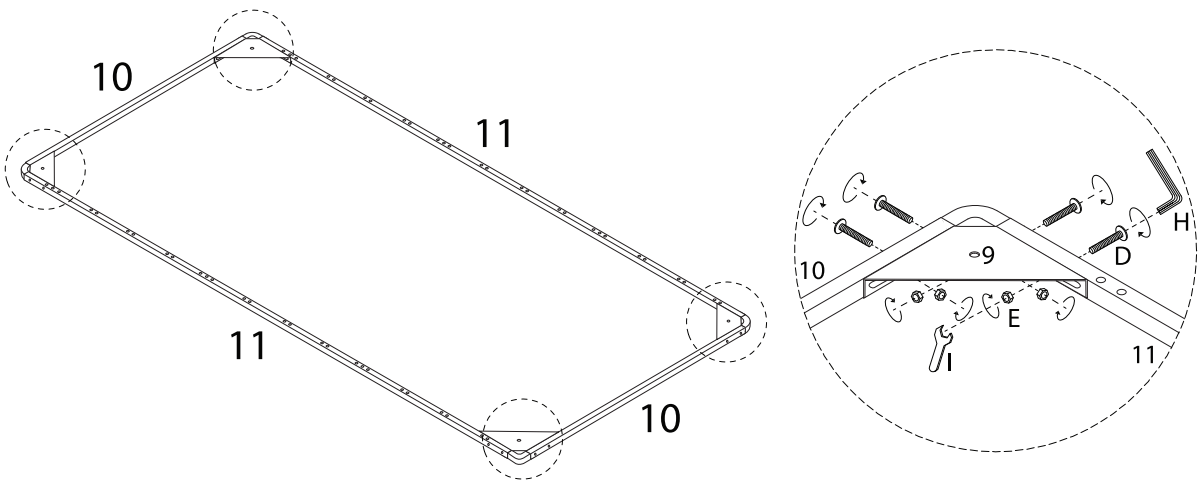


1

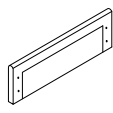
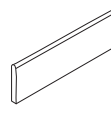

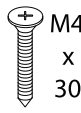


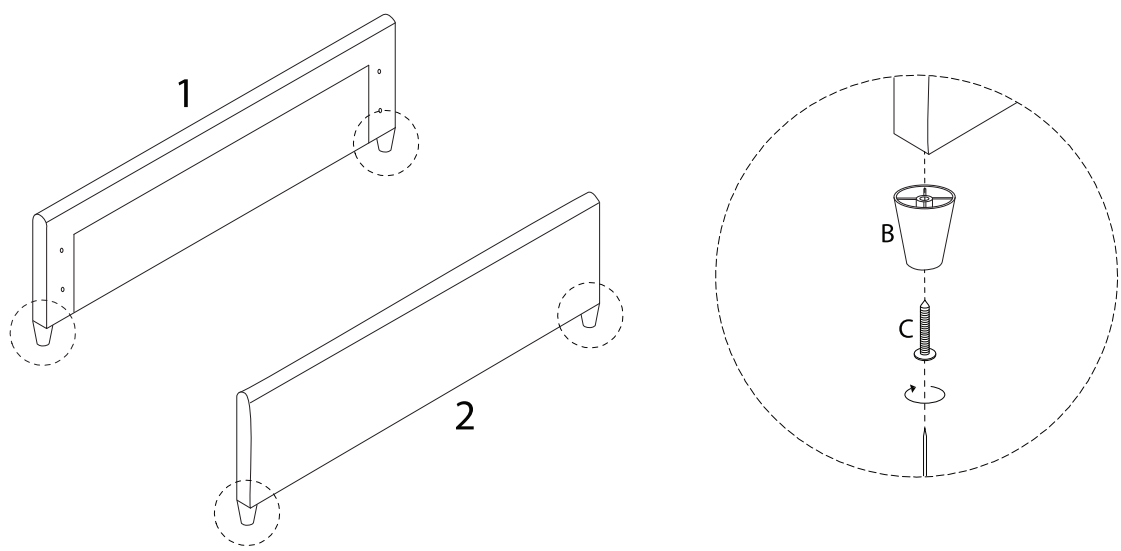
4

<p>9</p>  <p>x 4</p>	<p>D</p>  <p>M8 x 40</p> <p>x 16</p>	<p>E</p>  <p>x 16</p>	<p>H</p>  <p>x 1</p>	<p>I</p>  <p>x 1</p>
--	--	---	--	--

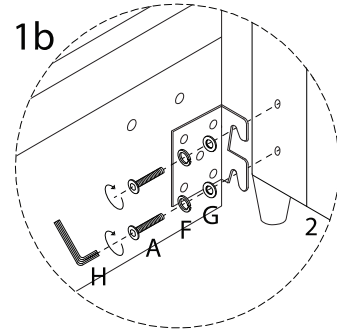
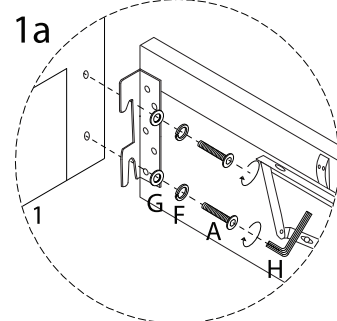
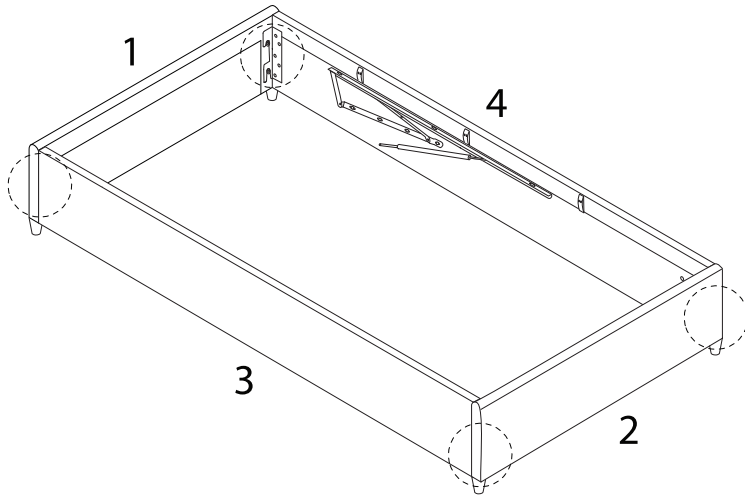
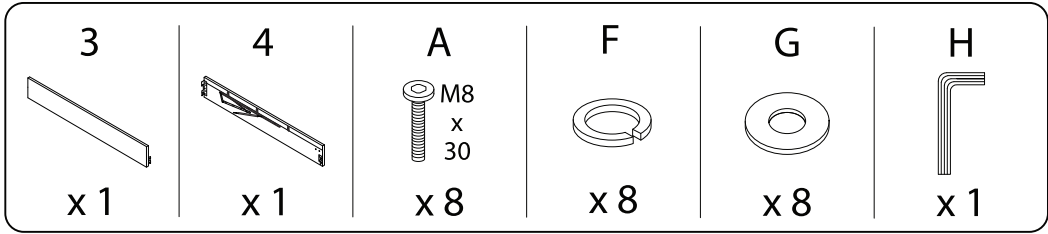


3

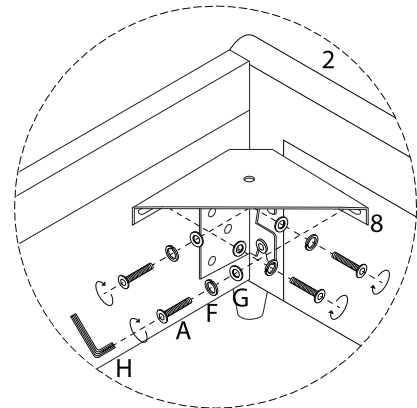
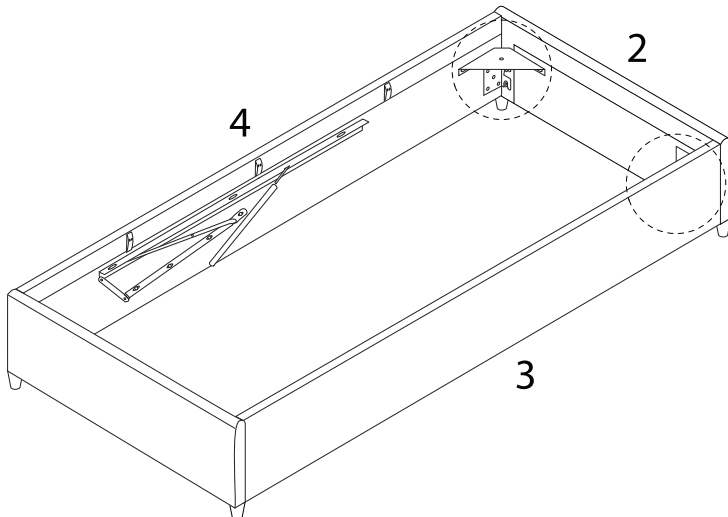
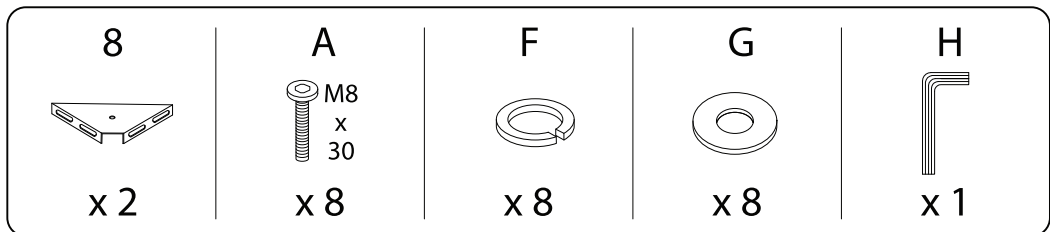
<p>1</p>  <p>x 1</p>	<p>2</p>  <p>x 1</p>	<p>B</p>  <p>x 4</p>	<p>C</p>  <p>M4 x 30</p> <p>x 4</p>
--	--	---	---



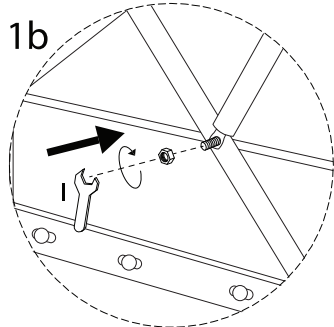
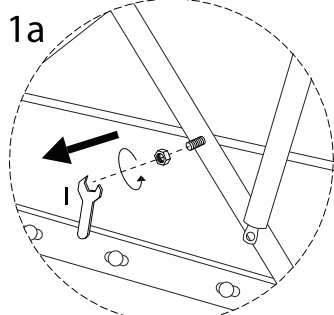
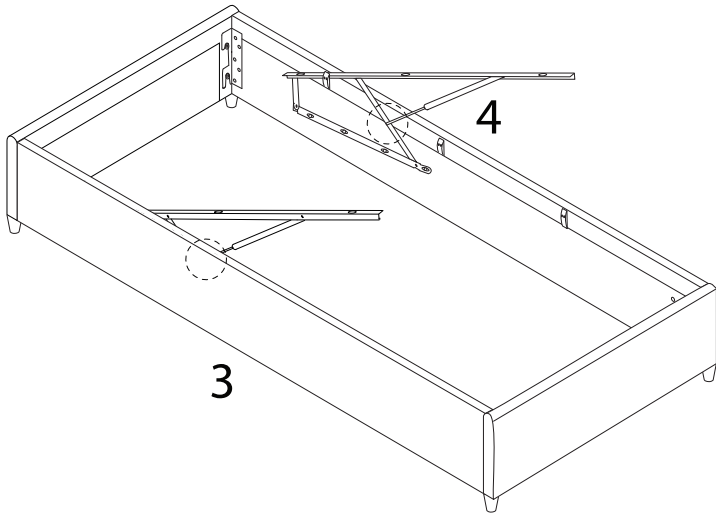
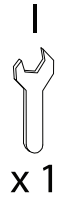
4



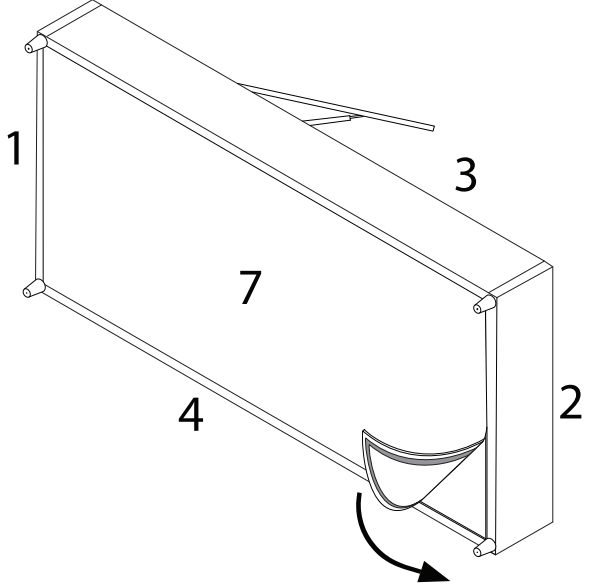
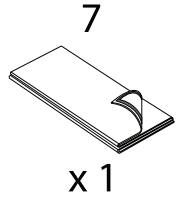
5



6



7



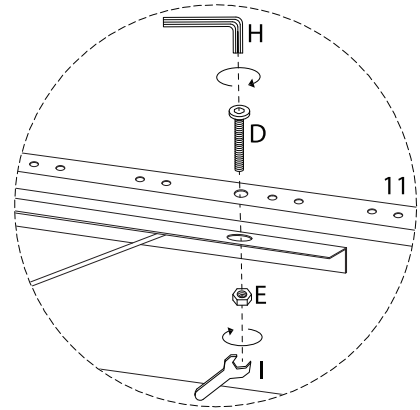
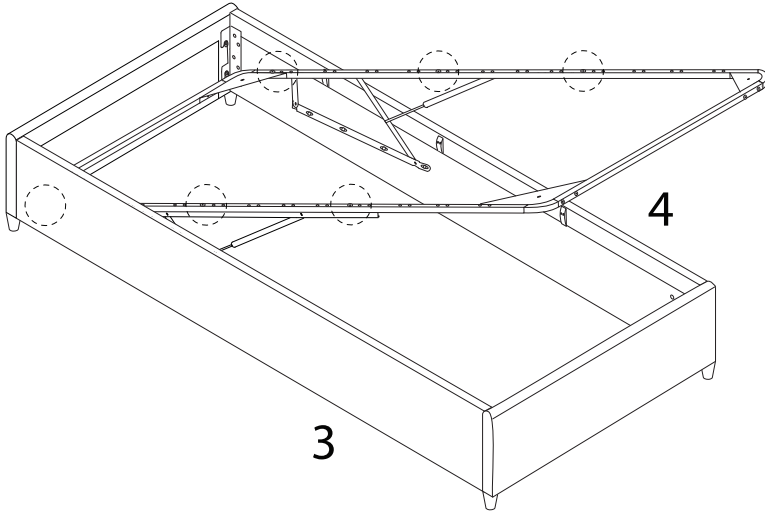
8

D
M8
x
40
x 6

E
x 6

H
x 1

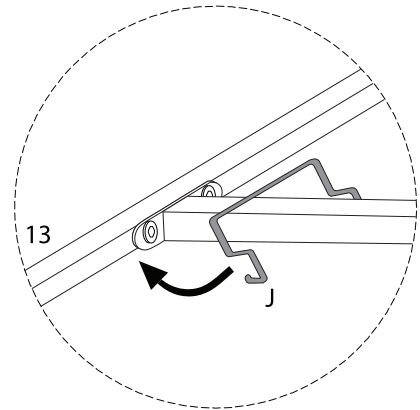
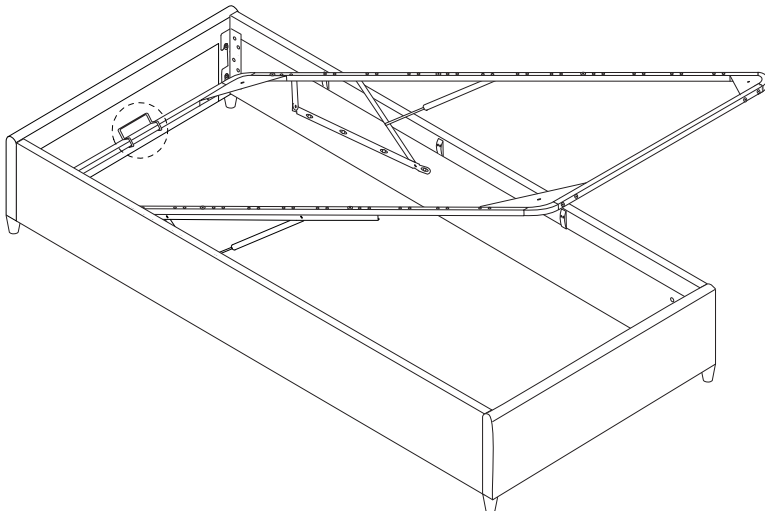
I
x 1



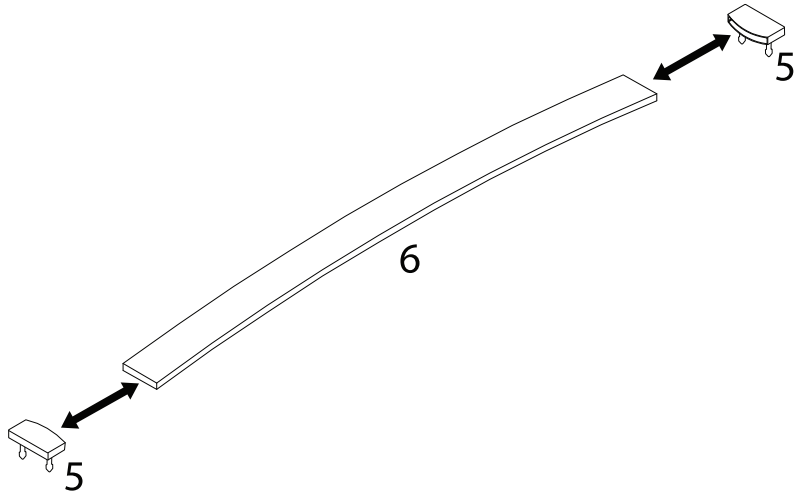
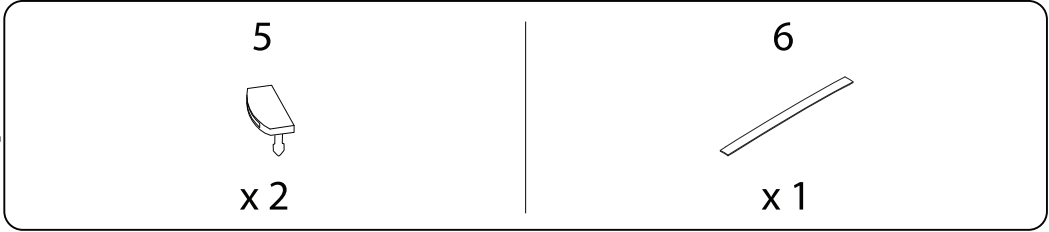
9

J

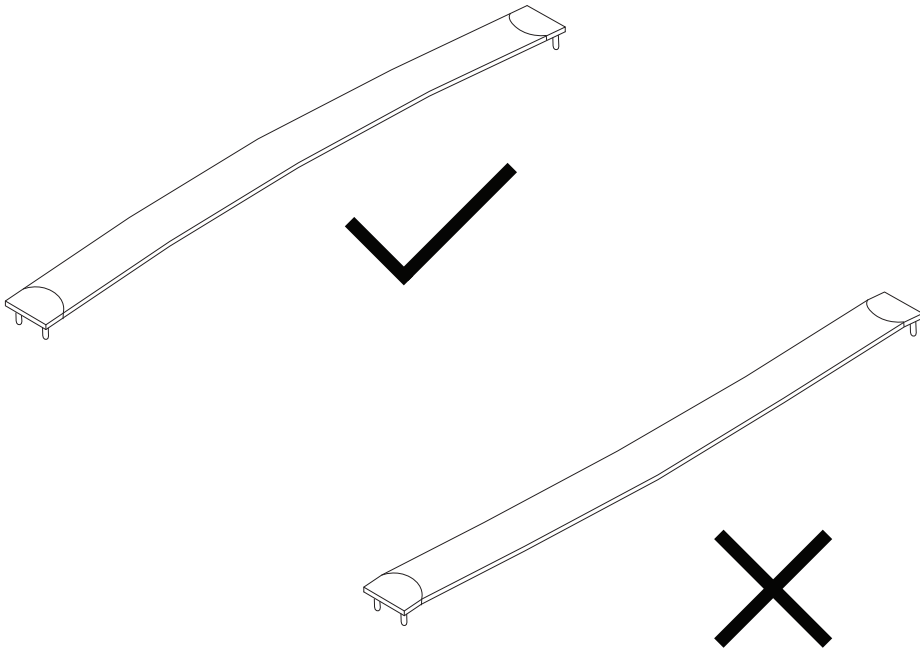
x 1



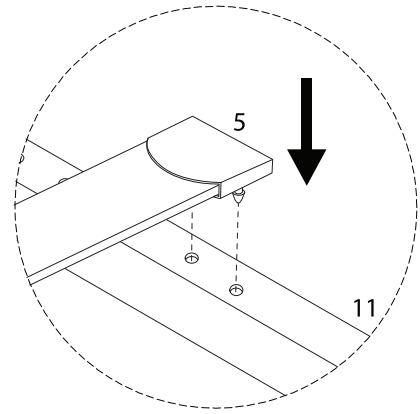
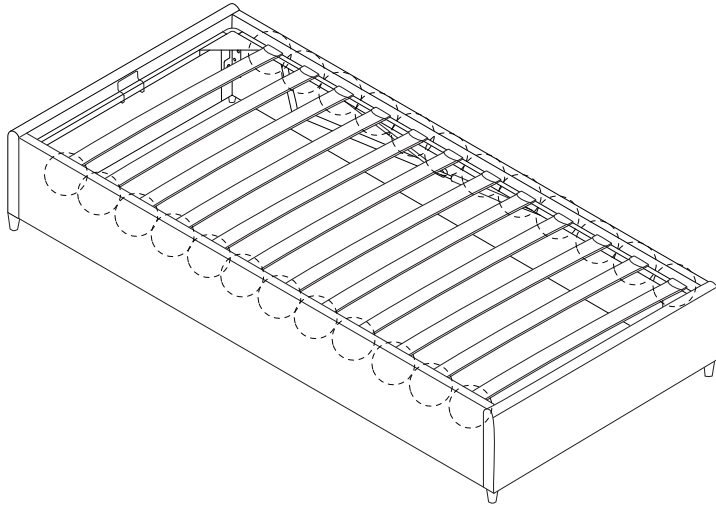
10 x 12



!



11



12

