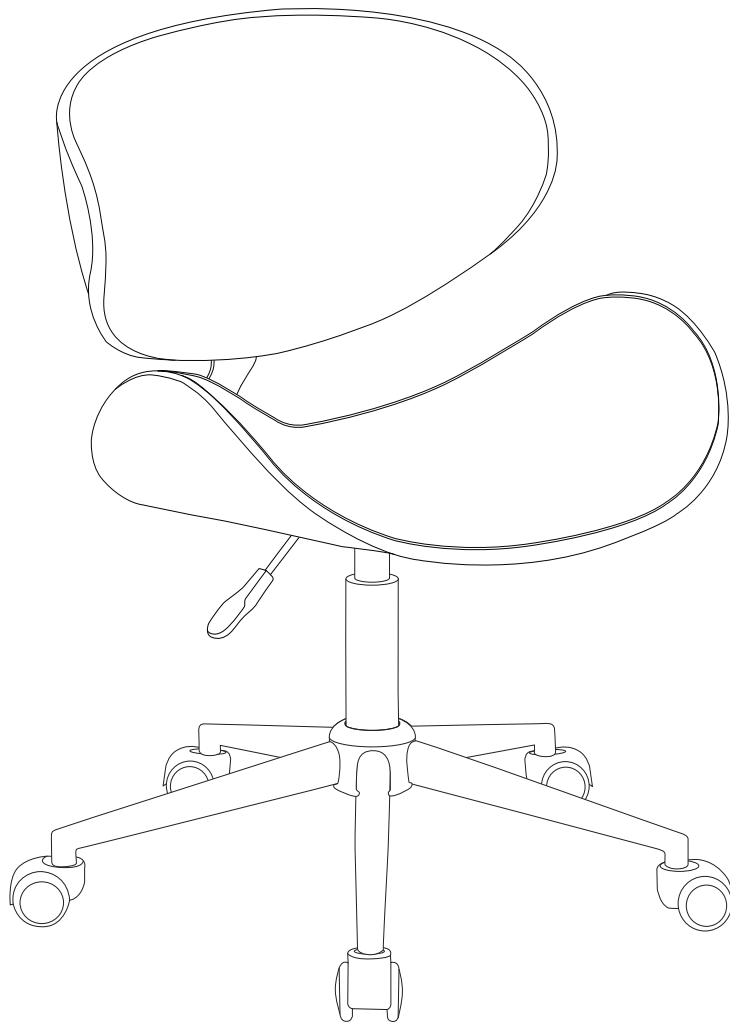
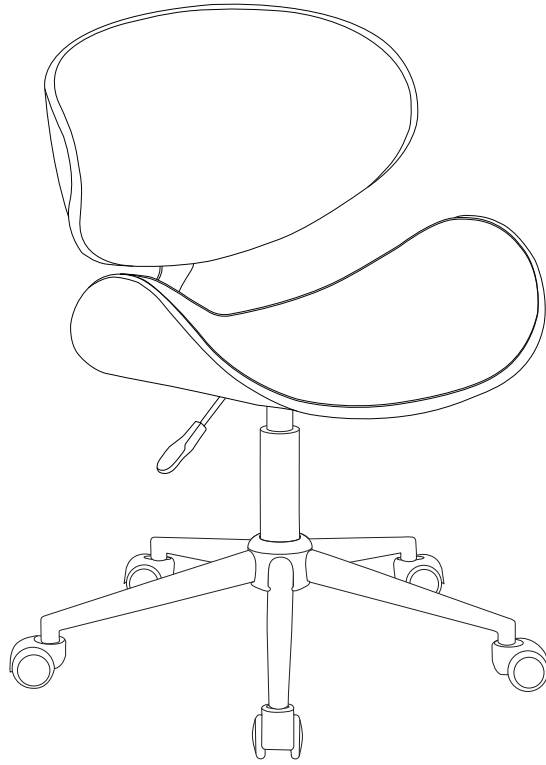

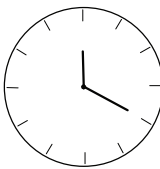



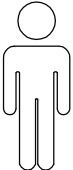
ROTTERDAM

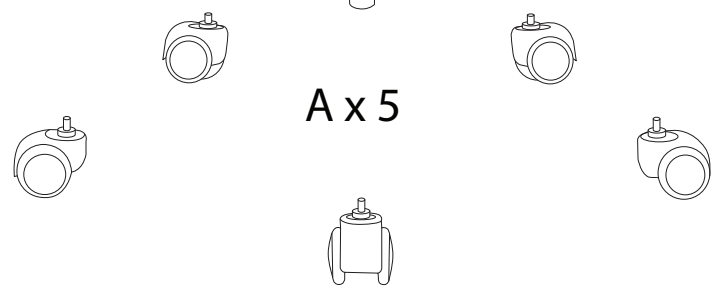
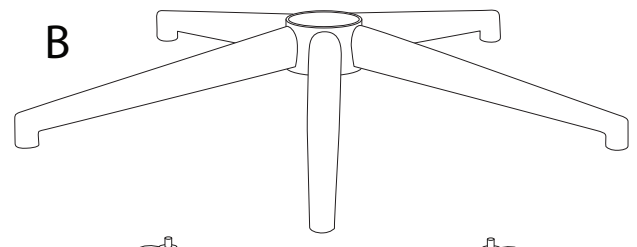
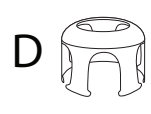
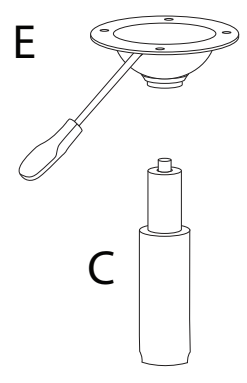
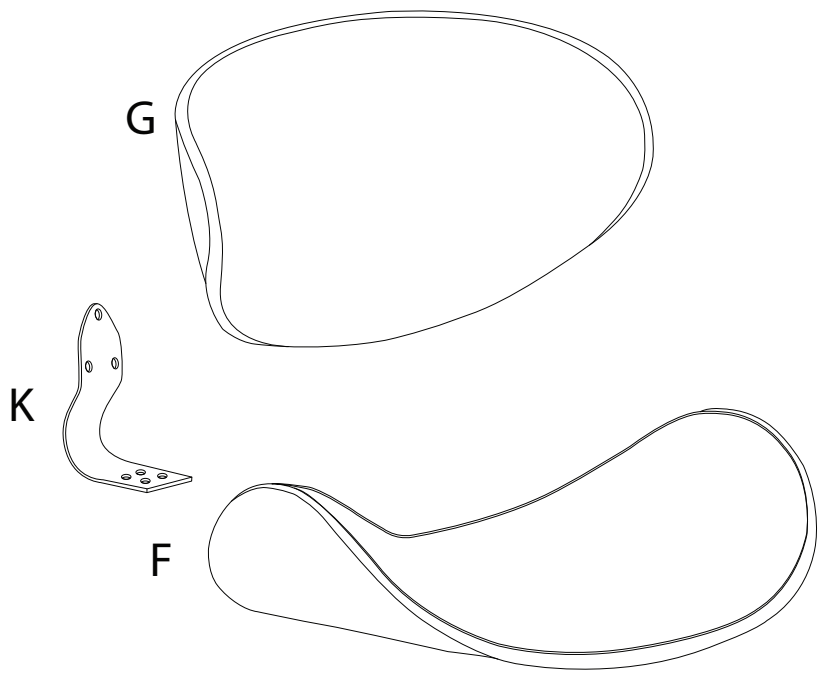




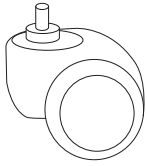
Assembly instructions for the chair base, including safety warnings, estimated time, and required personnel.

Warning 1: Do not use a power drill. Use an Allen key.   20'

Warning 2: Do not use a power drill. Use a screwdriver.   1

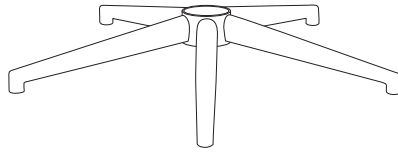


A



x 5

B



x 1

C



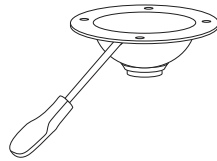
x 1

D



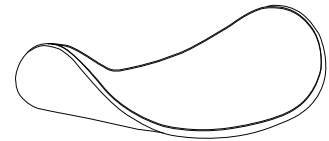
x 1

E



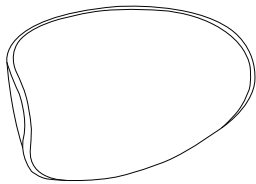
x 1

F



x 1

G



x 1

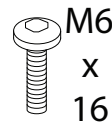
H



M6
x
20

x 7

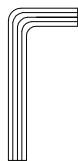
I



M6
x
16

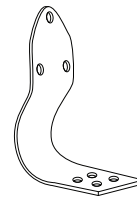
x 4

J



x 1

K



x 1

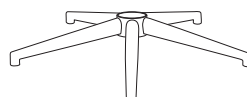
1

A

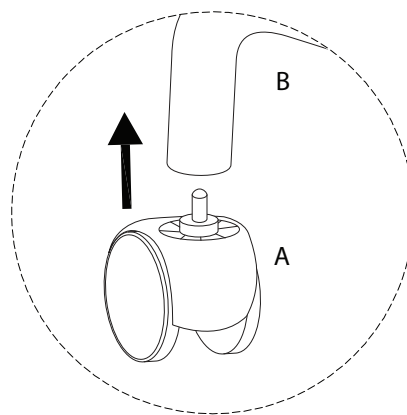
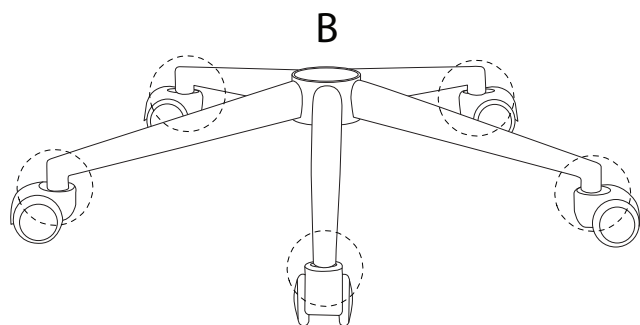


x 5

B

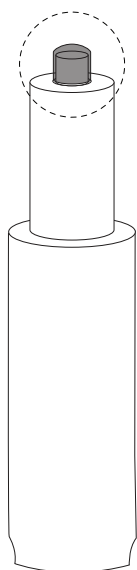


x 1

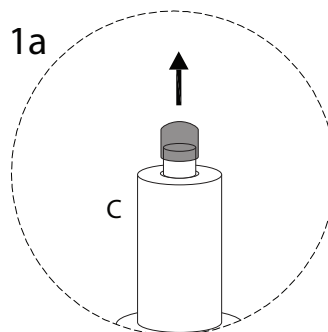


!

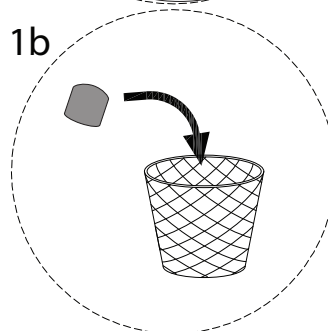
C



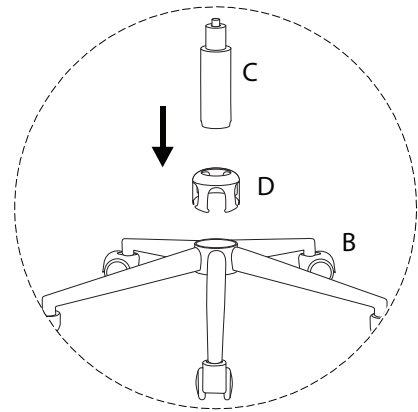
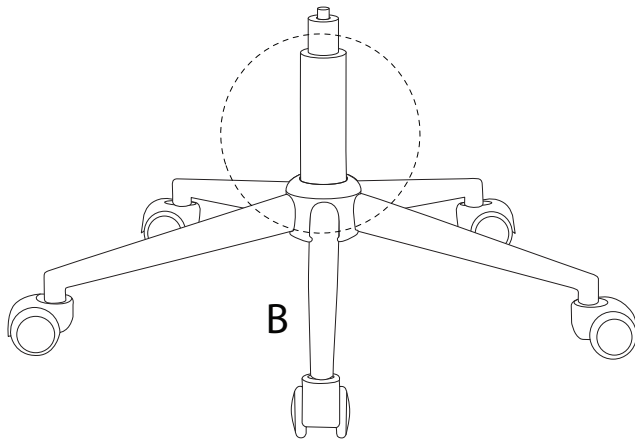
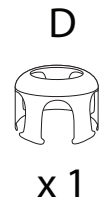
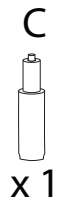
1a



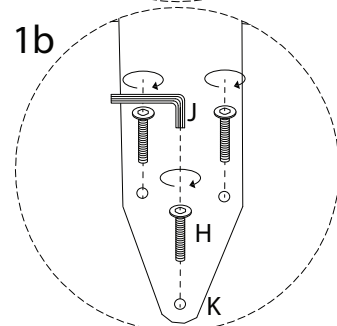
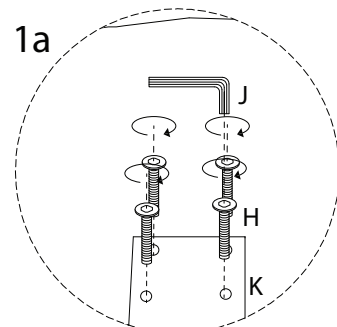
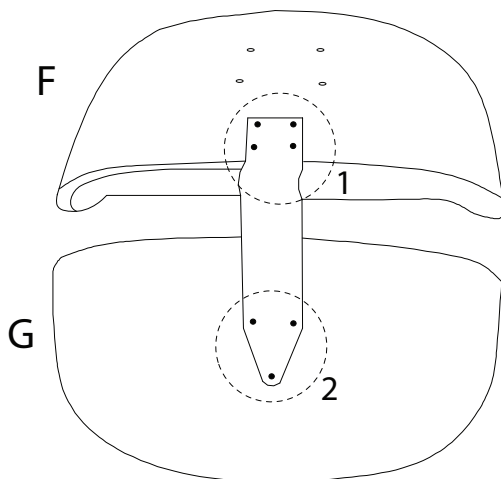
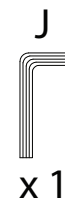
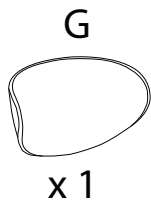
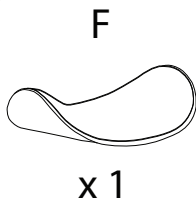
1b



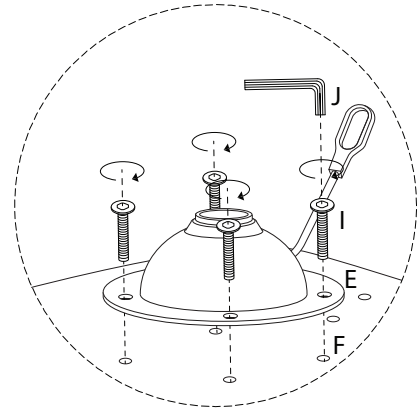
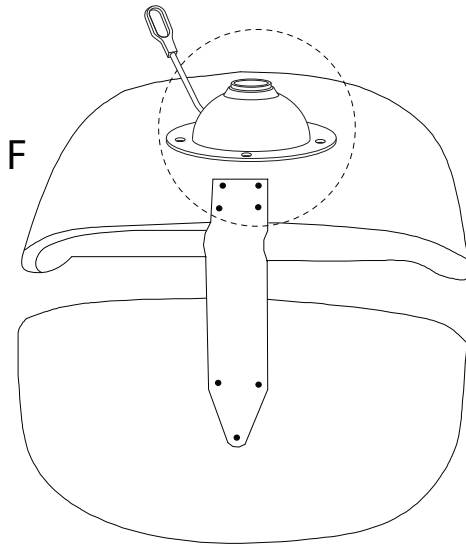
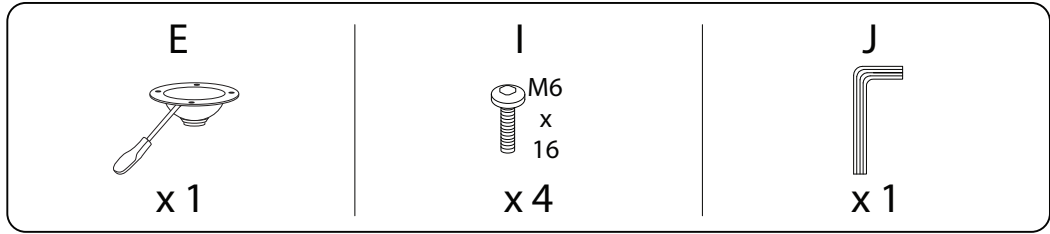
2



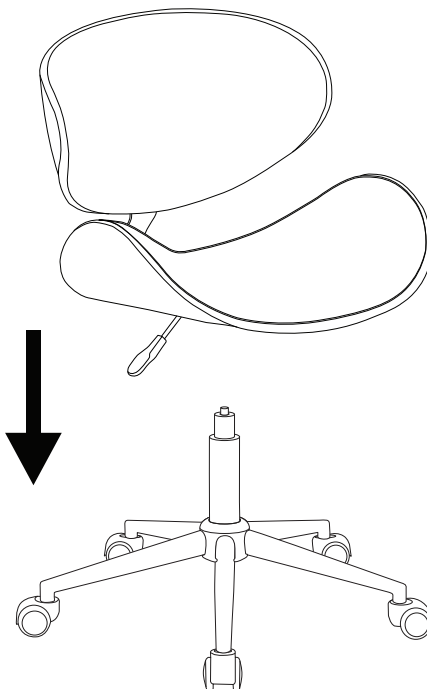
3



4



5



!

