


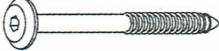

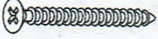
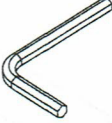
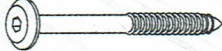
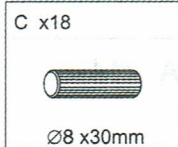
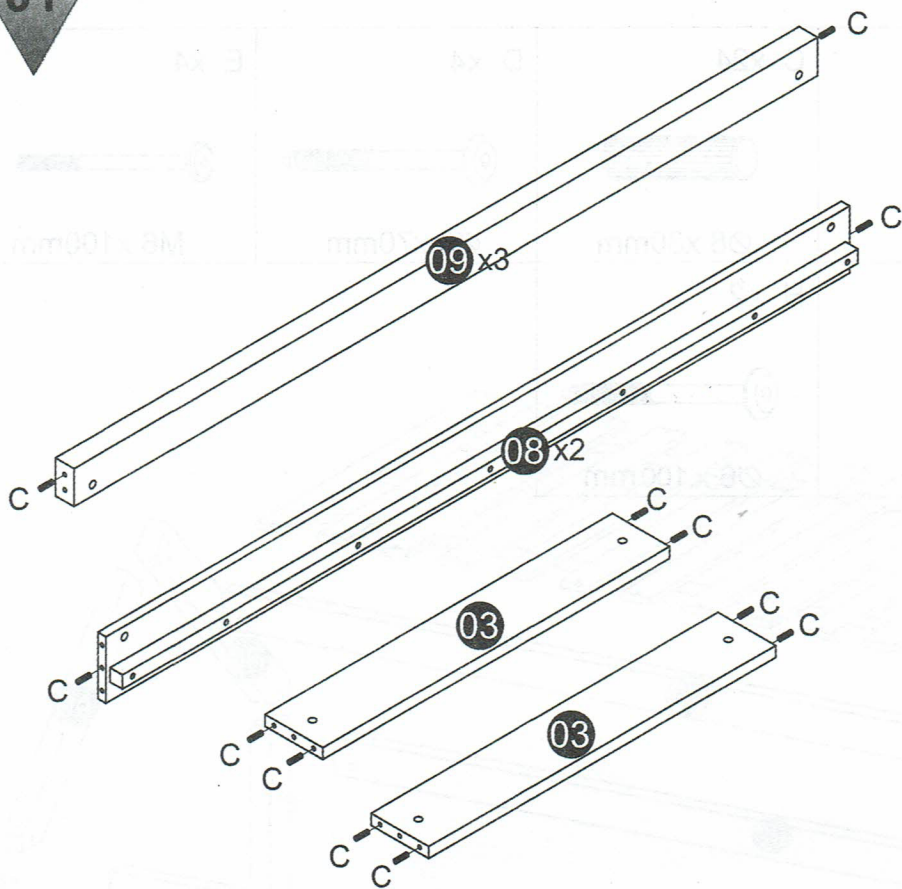
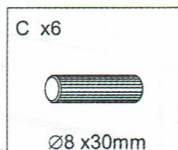
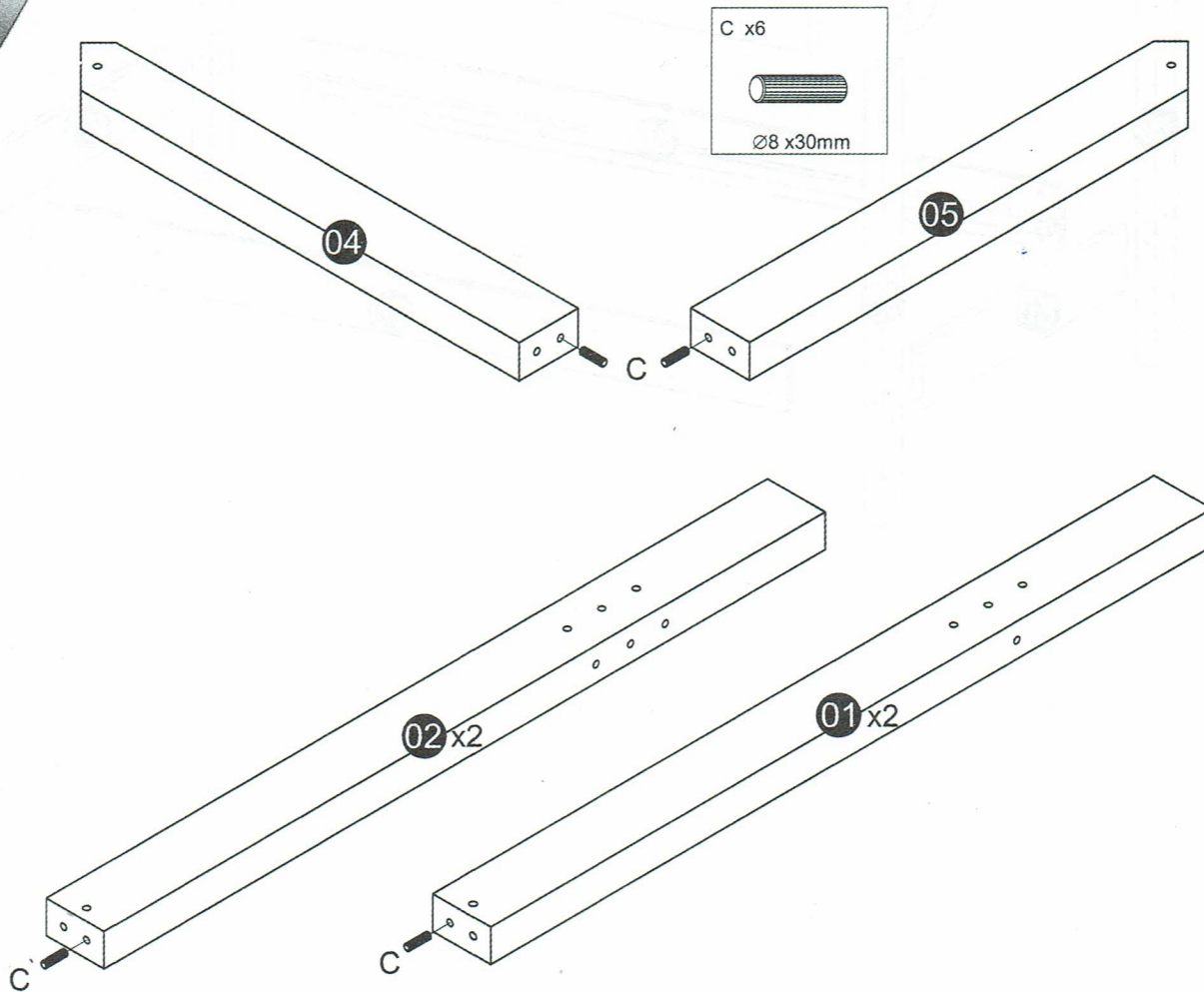


<p>A x14</p>  <p>M6 x80mm</p>	<p>B x18</p> 	<p>C x24</p>  <p>Ø8 x30mm</p>	<p>D x4</p>  <p>Ø6 x70mm</p>	<p>E x4</p>  <p>M6 x100mm</p>
<p>F x26</p>  <p>Ø4 x30mm</p>	<p>G x1</p> 	<p>H x2</p>  <p>Ø6 x 100 mm</p>		

01



02



03

G x1

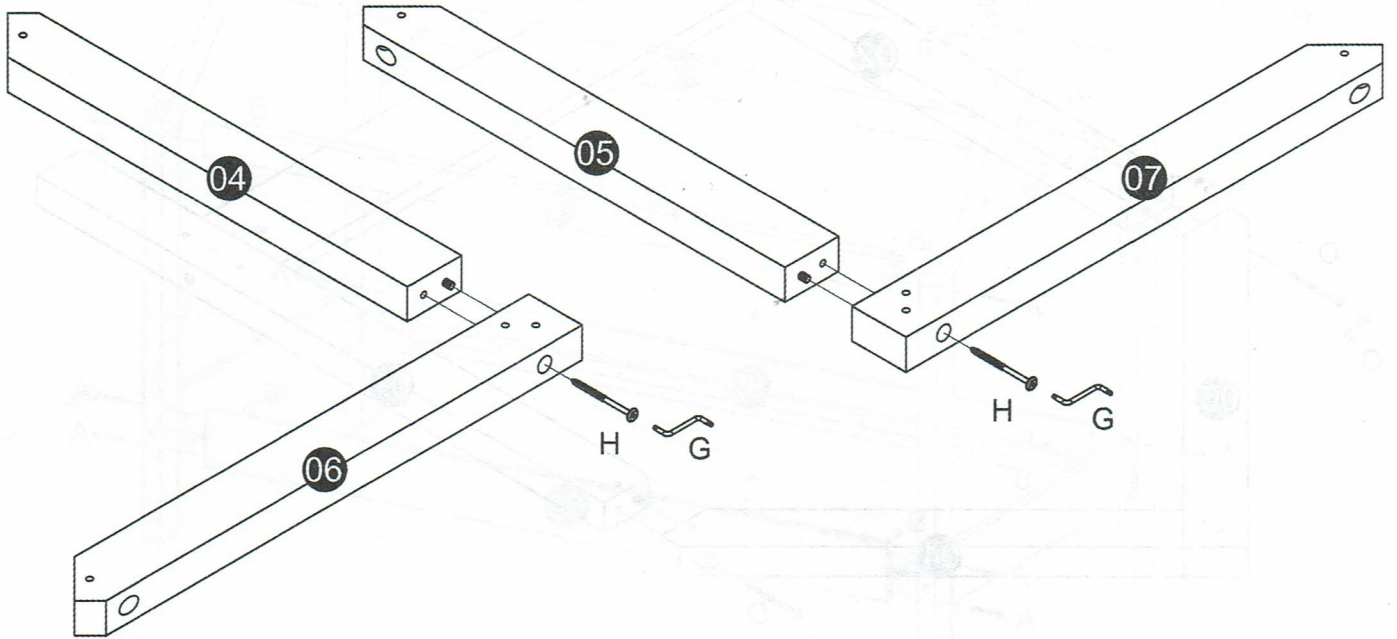


Hx2



Ø6 x100mm

ee



04

E x4

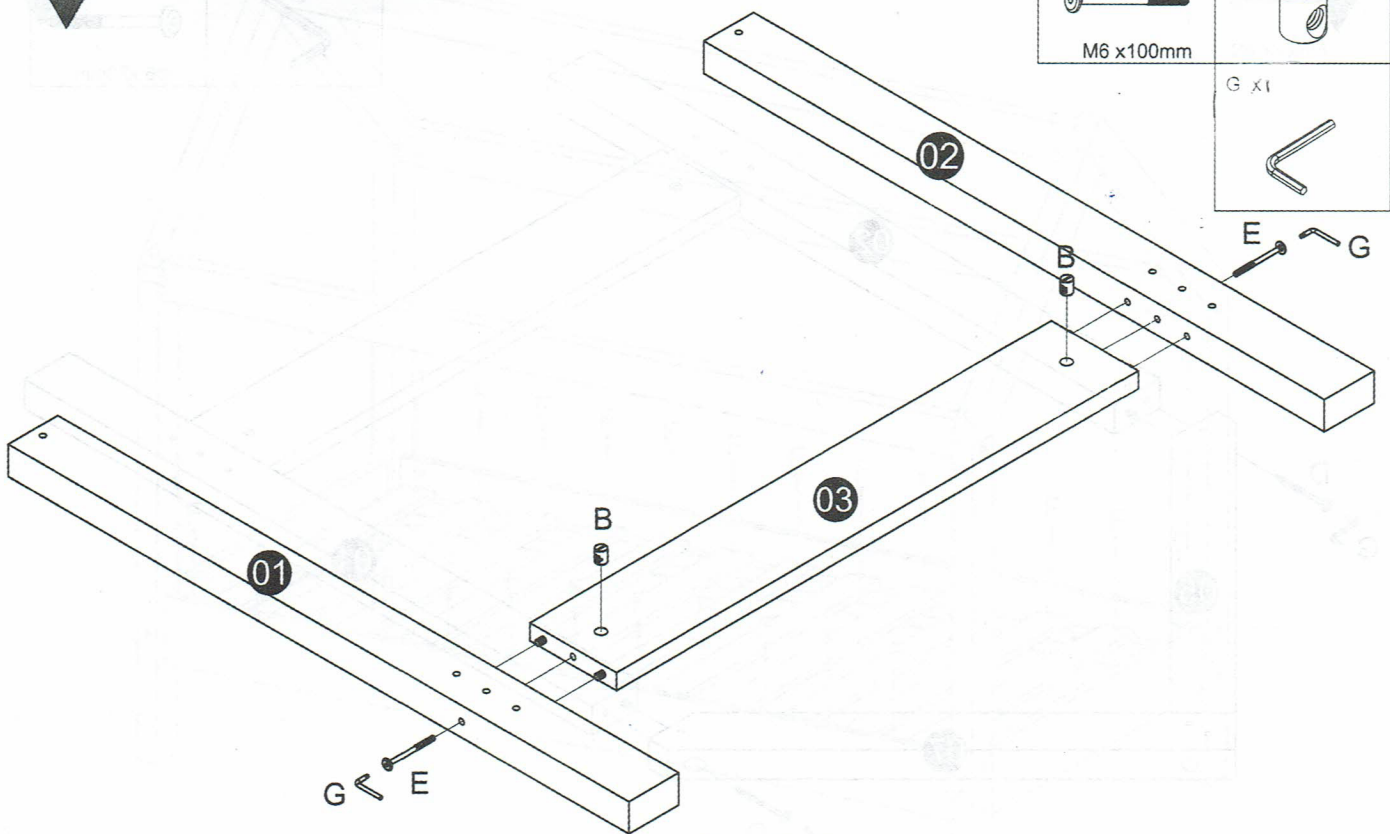


M6 x100mm

B x4



G x1



2 X

05

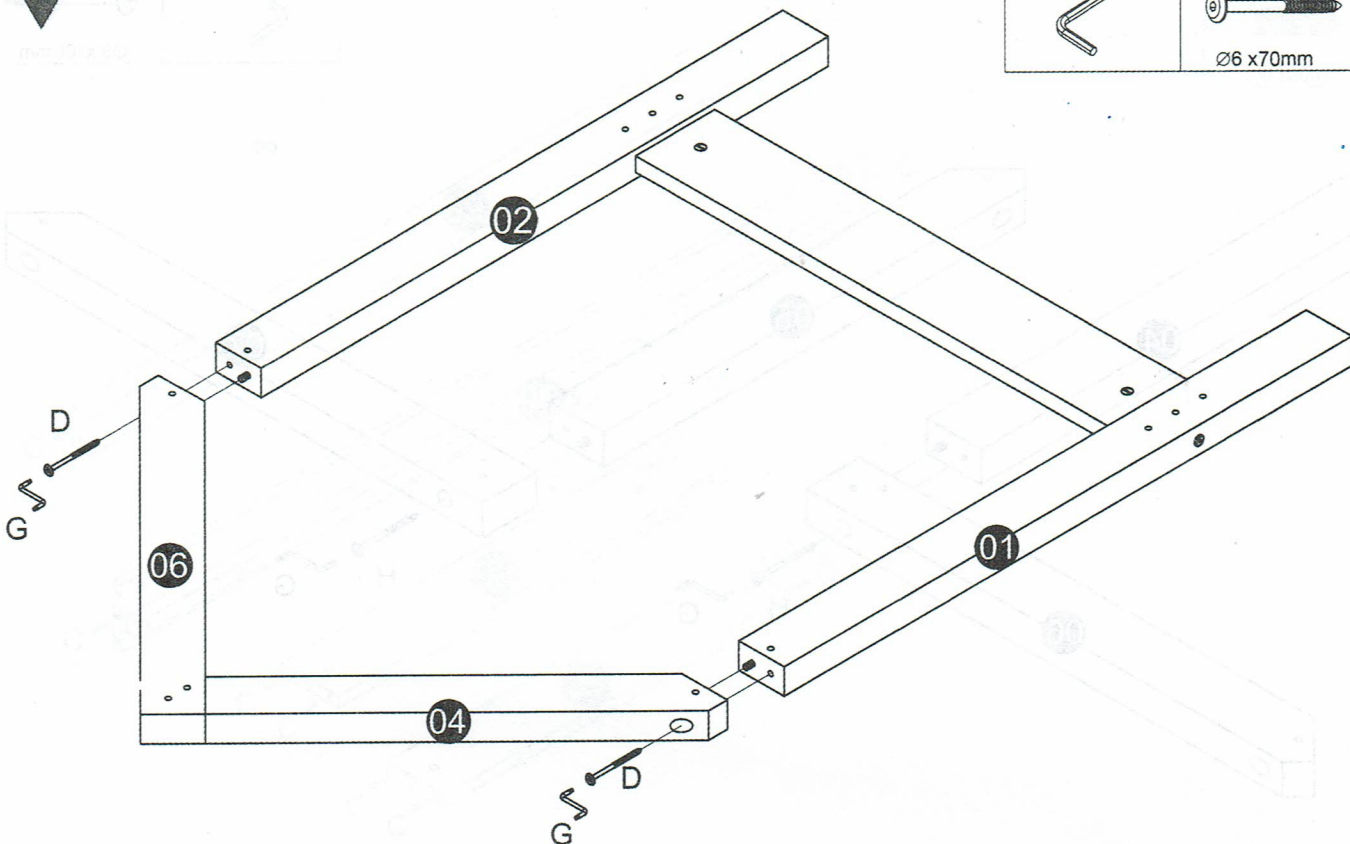
G x1



D x2



Ø6 x70mm



06

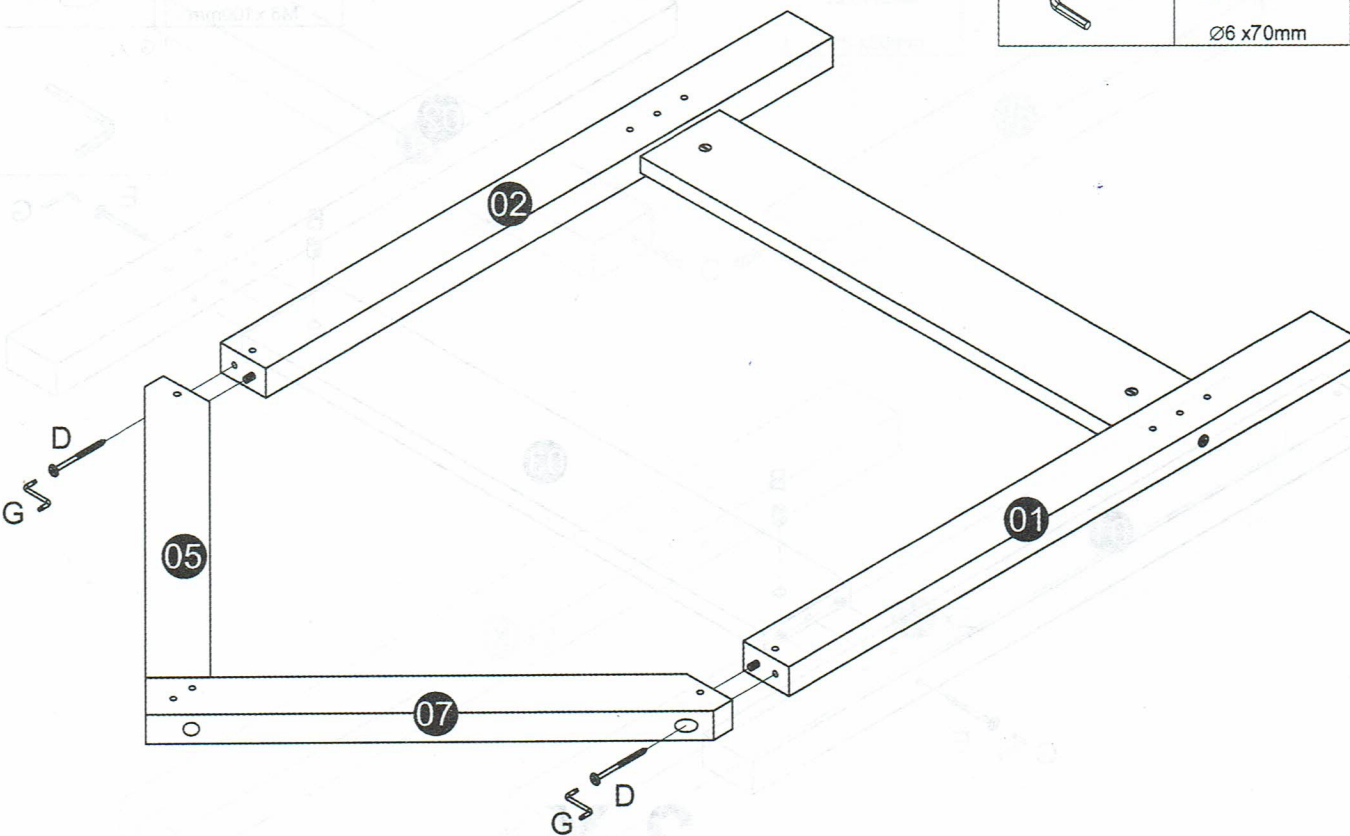
G x1



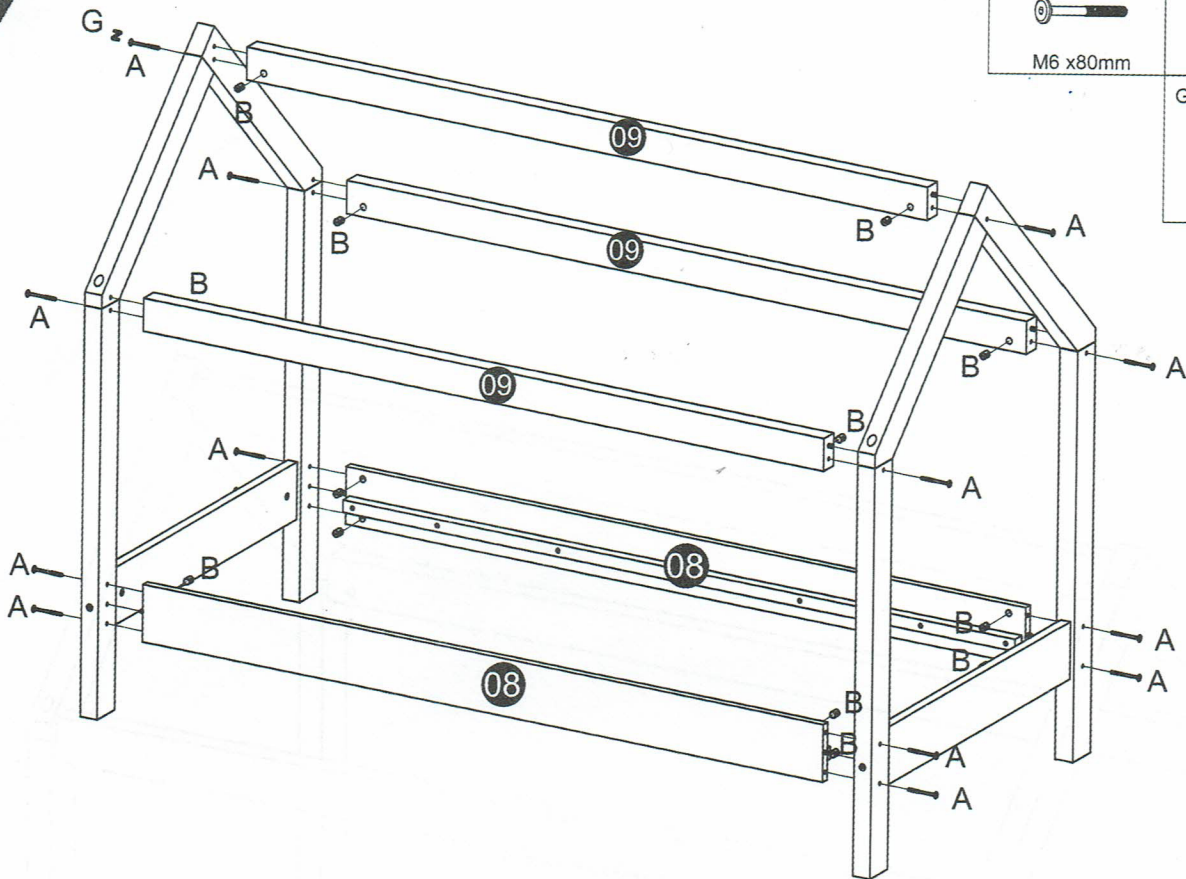
D x2






Ø6 x70mm

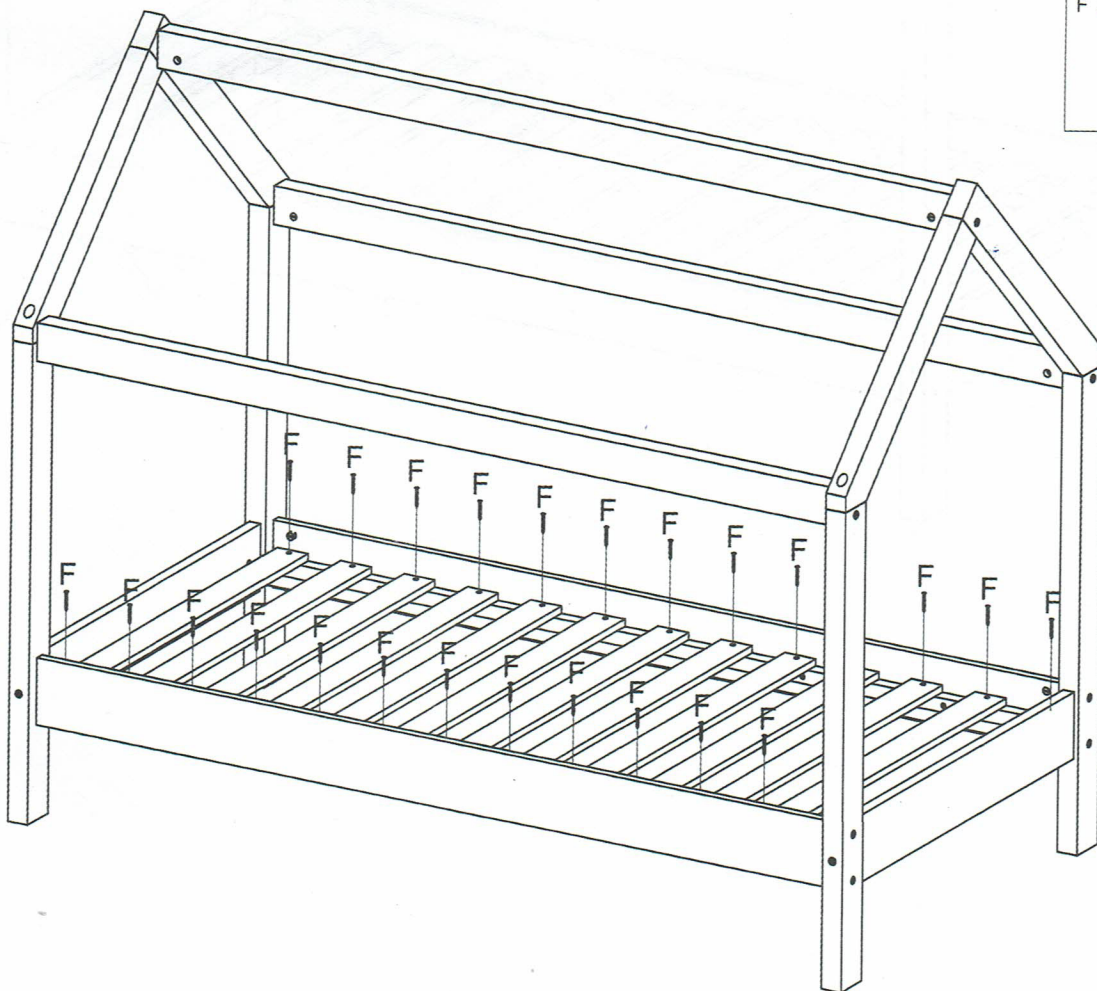



07

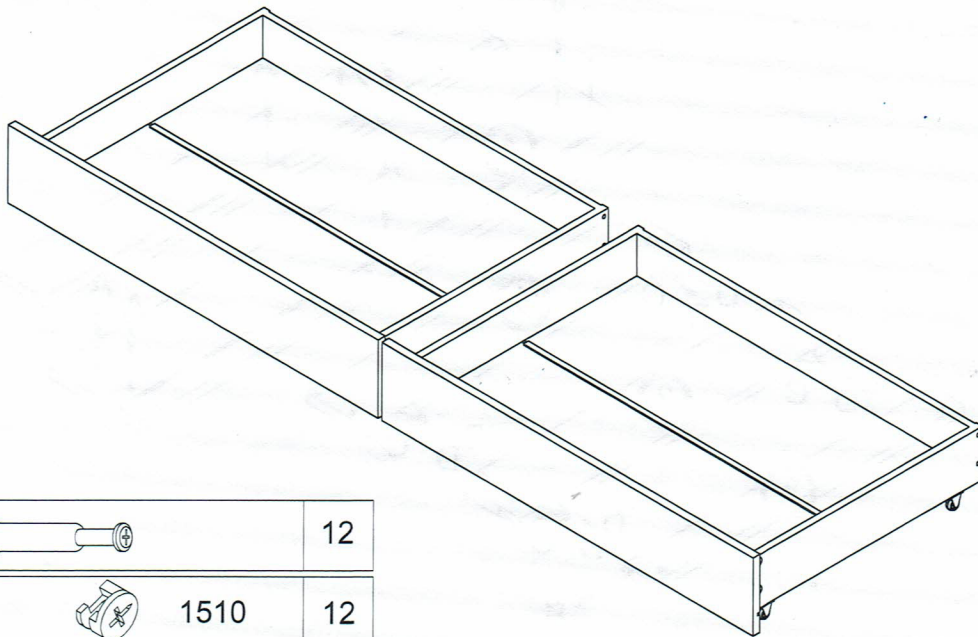










A x14  M6 x80mm	B x14 
G x1 	

08

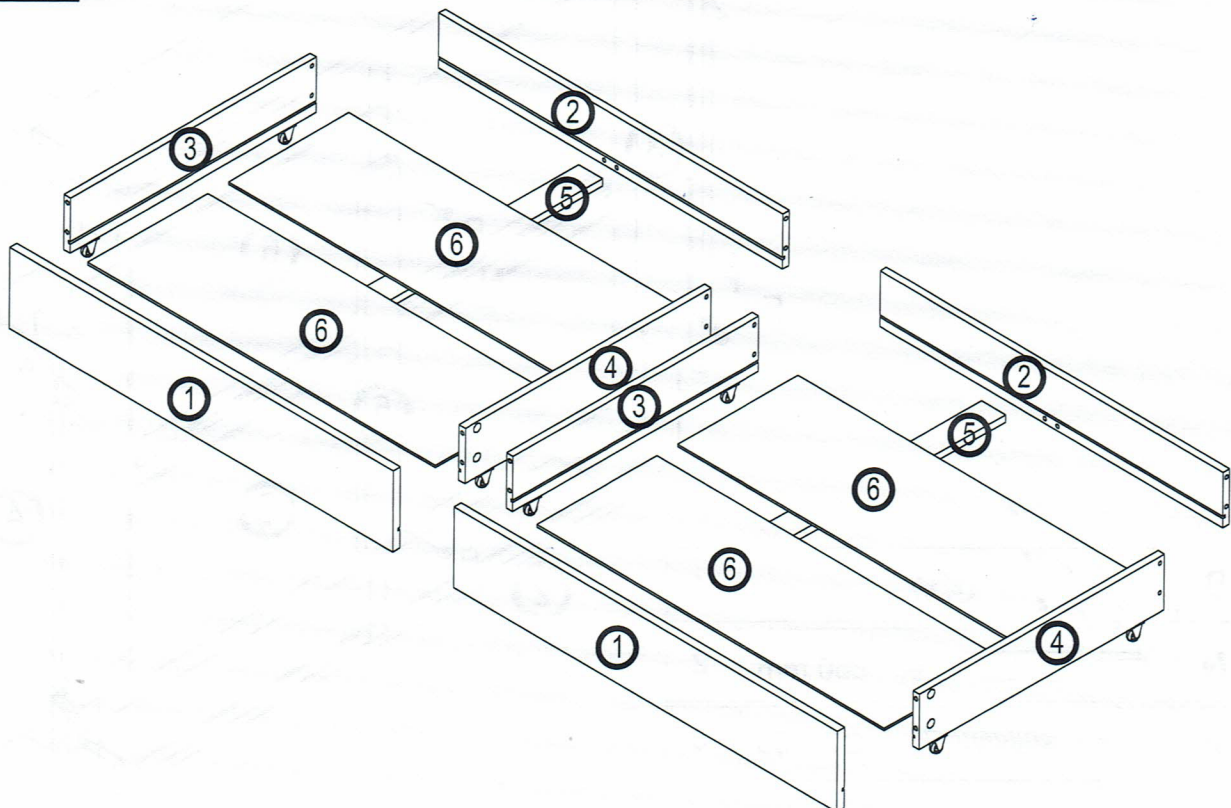


F x26  Ø4 x30mm
--

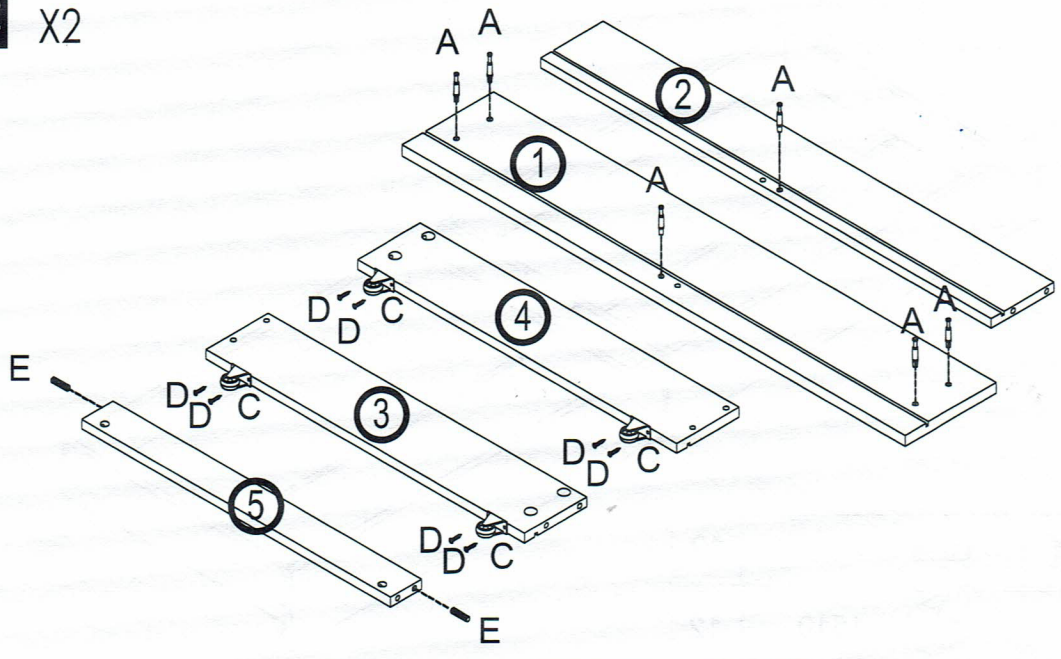


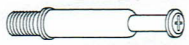



A			12
B		1510	12
C		35 mm	8
D		3 x 16	16
E		Ø8 x 30	4
F		Ø7 x 50	8
N		860 mm	2
J		4 mm	1

STEP:1

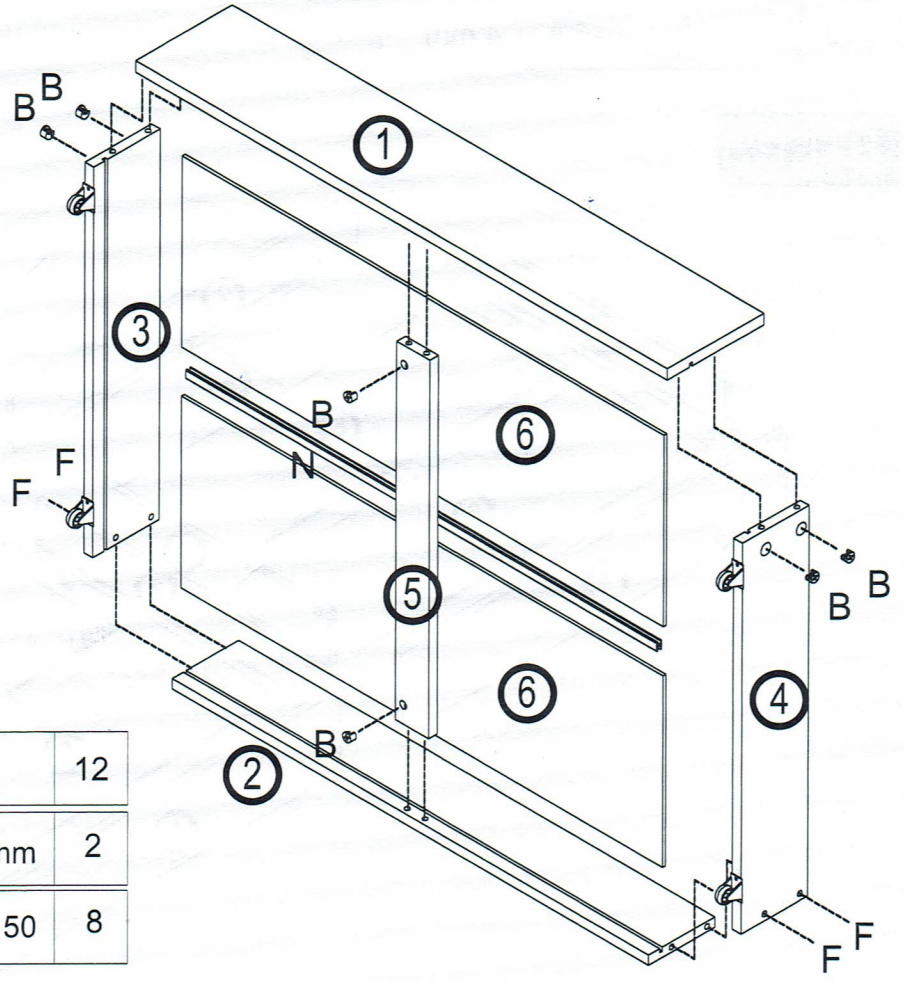





STEP:2 X2



A		12
C	 35 mm	8
D	 3 x 16	16
E	 Ø8 x 30	4

STEP:3 X2



B		12
N	 860 mm	2
F	 Ø7 x 50	8