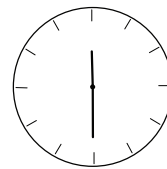
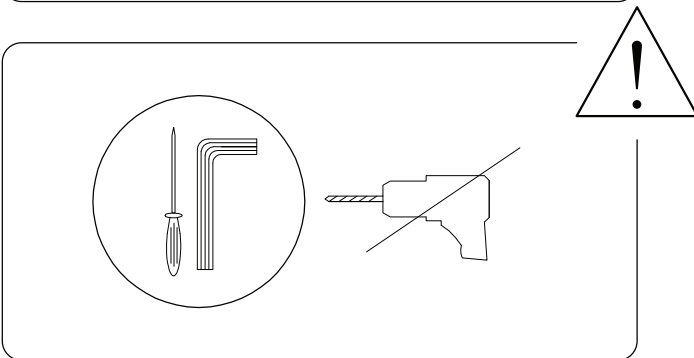
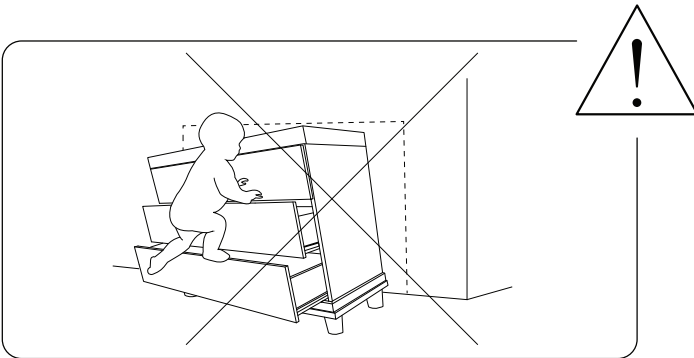
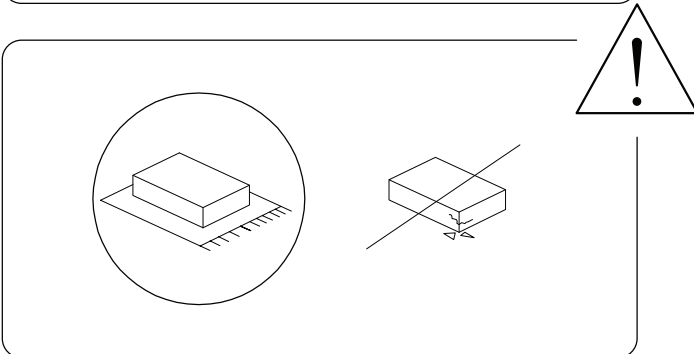


CARNEY

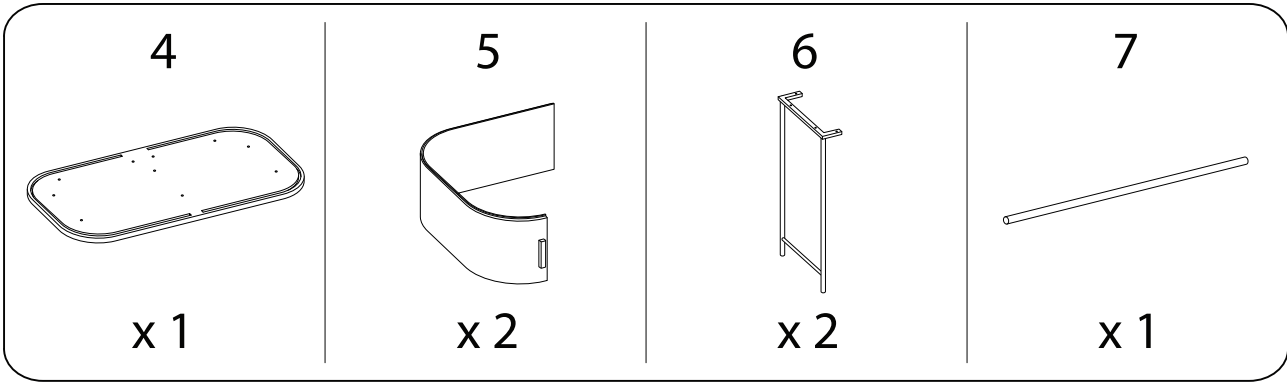
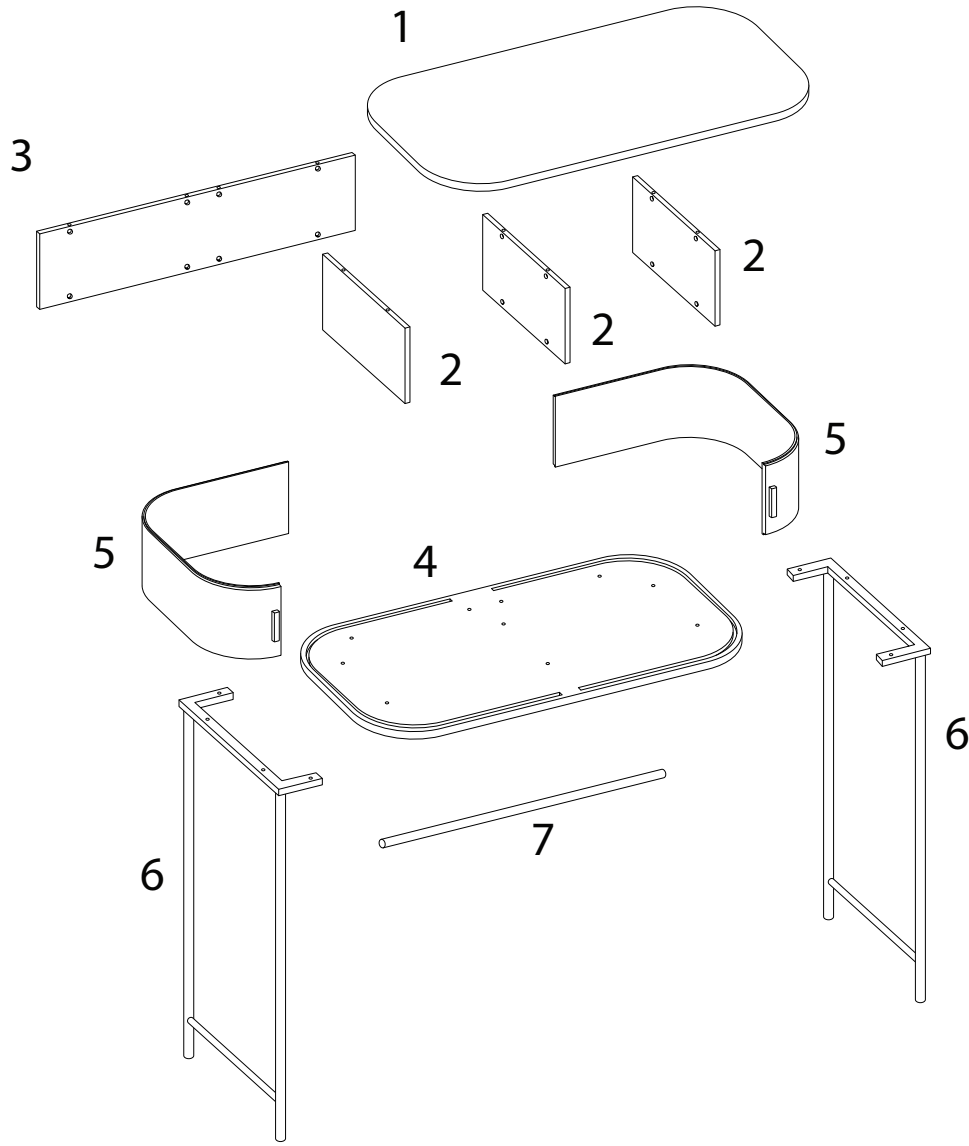
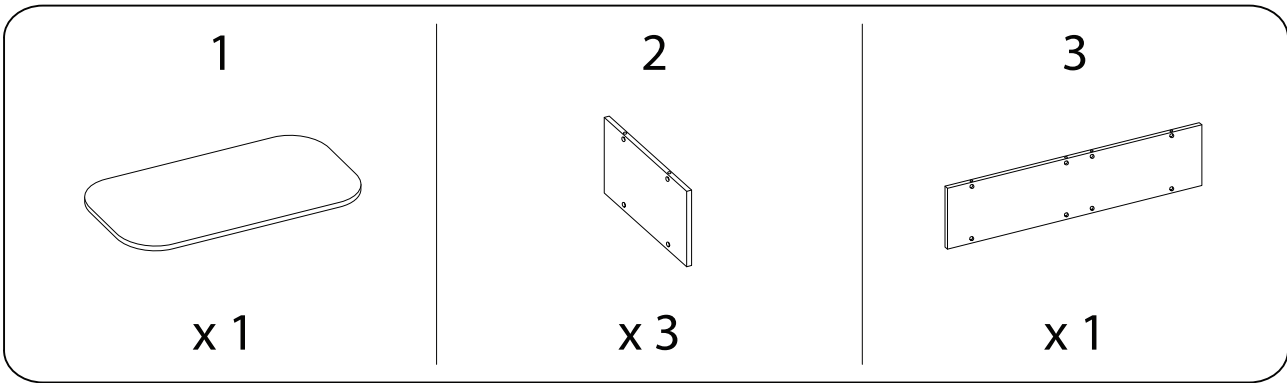




30'



2

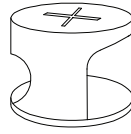


A



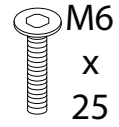
x 20

B



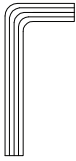
x 20

C



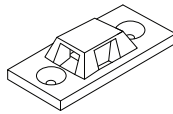
x 4

D



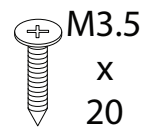
x 1

E



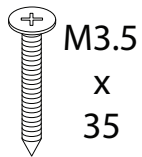
x 2

F



x 2

G



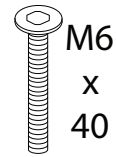
x 2

H



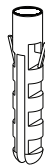
x 1

I



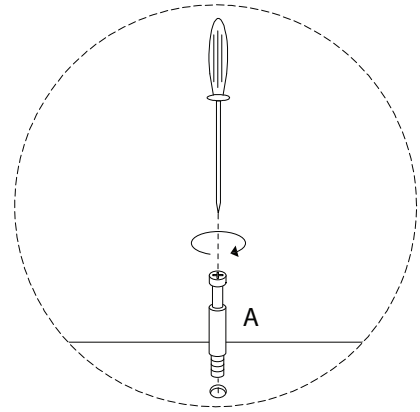
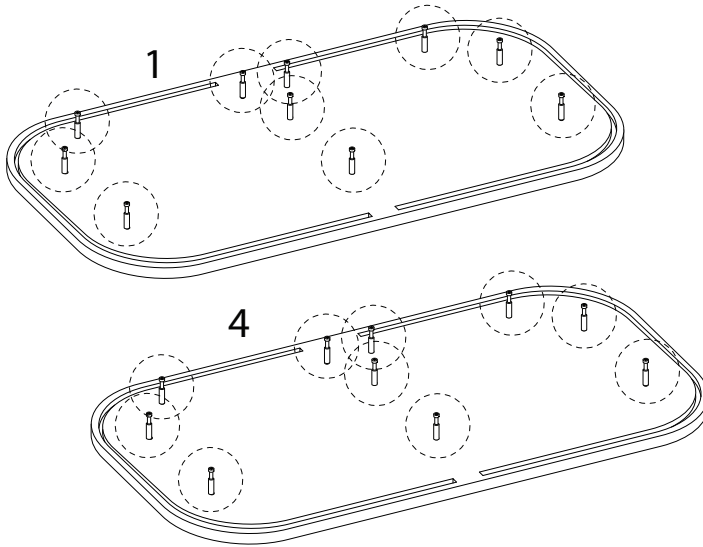
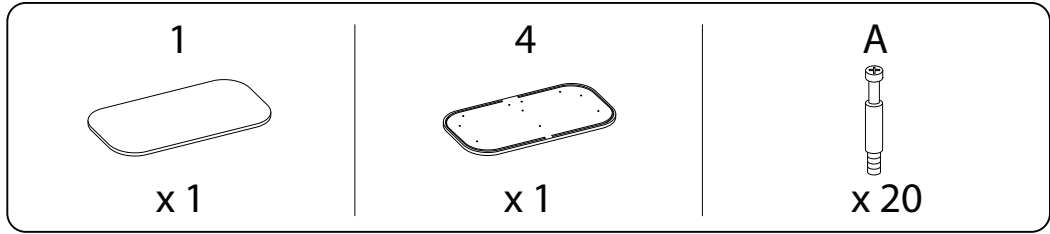
x 2

J

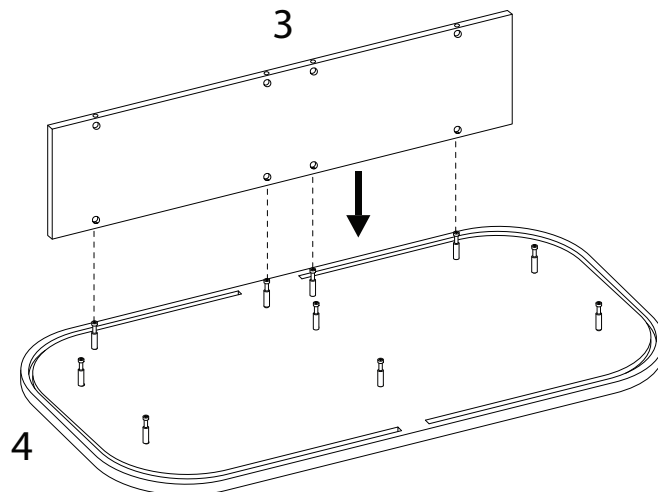
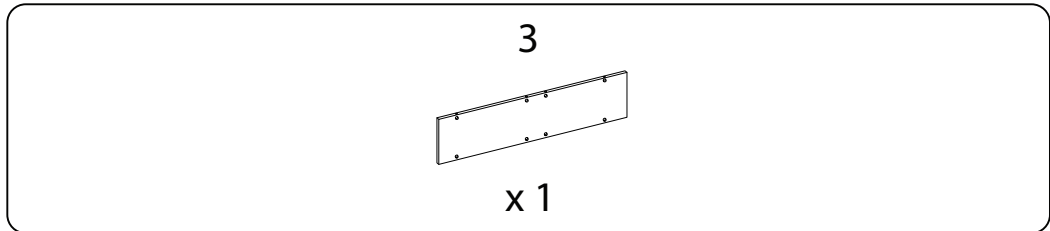


x 2

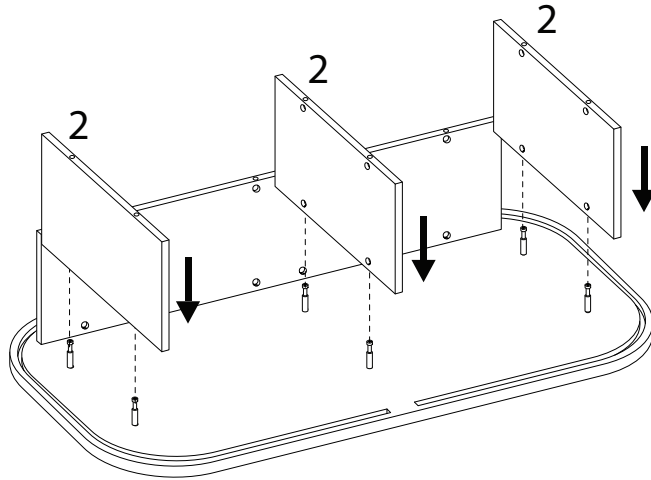
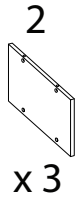
1



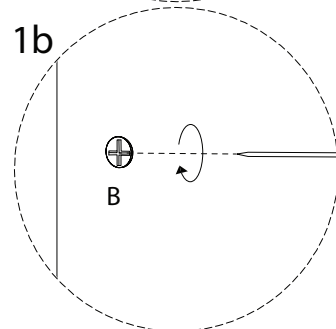
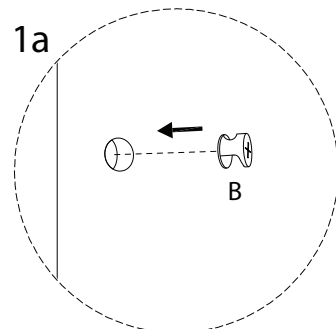
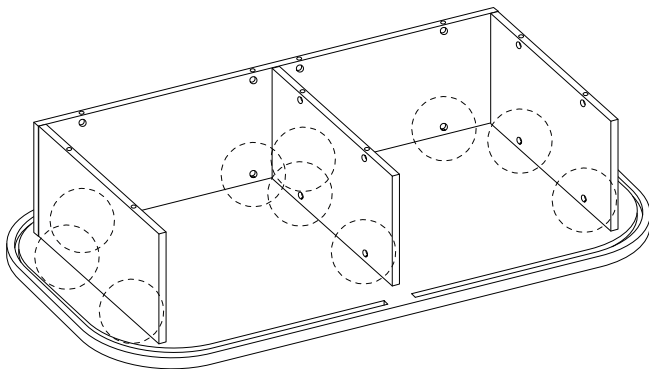
2



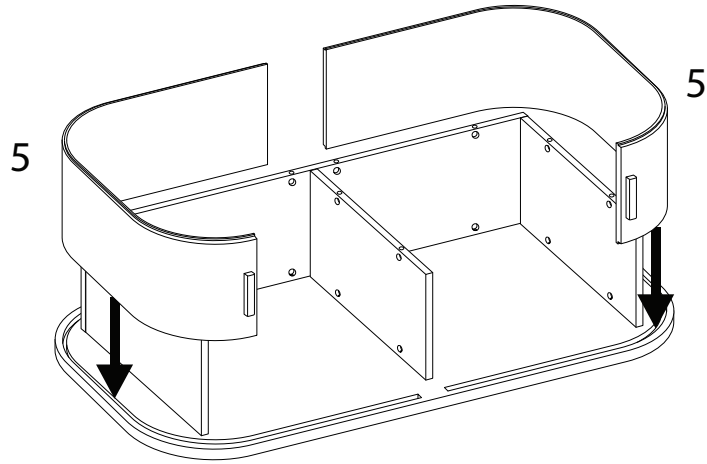
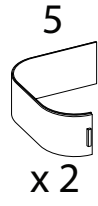
3



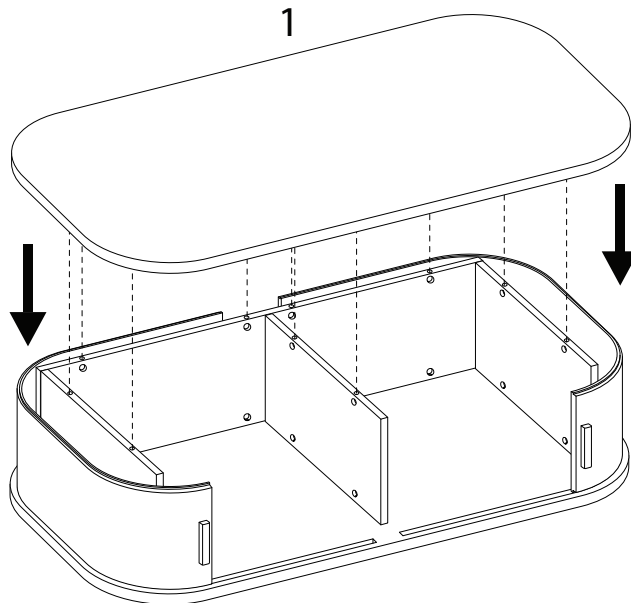
4



5



6

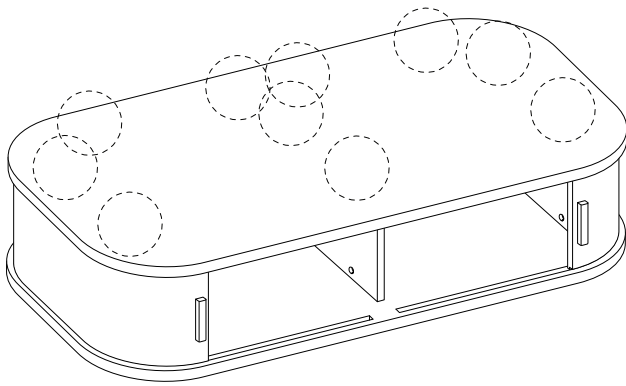


7

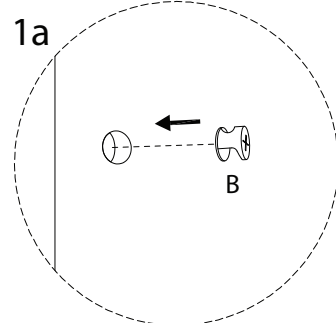
B



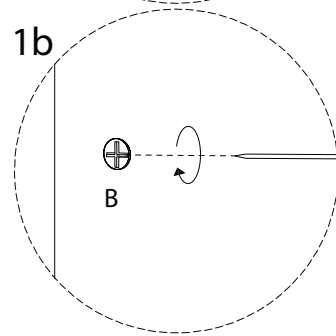
x 10



1a

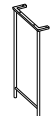


1b



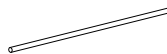
8

6



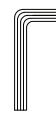
x 2

7



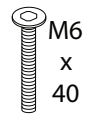
x 1

D

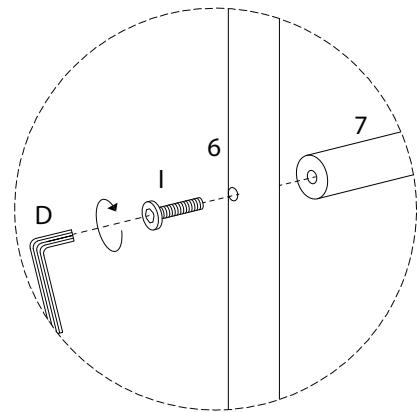
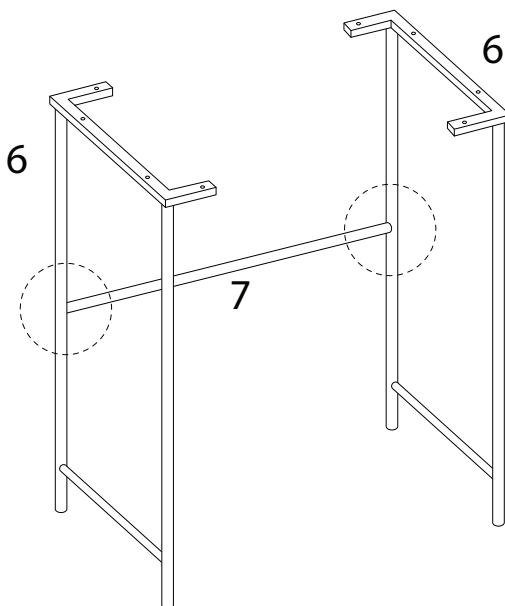


x 1

I

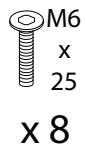


x 2

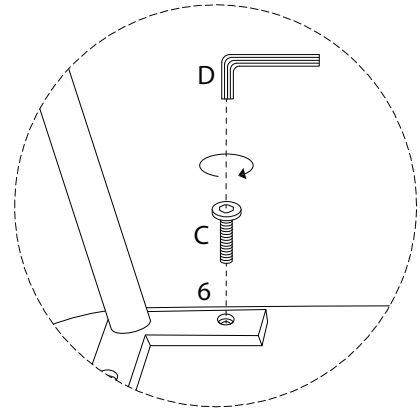
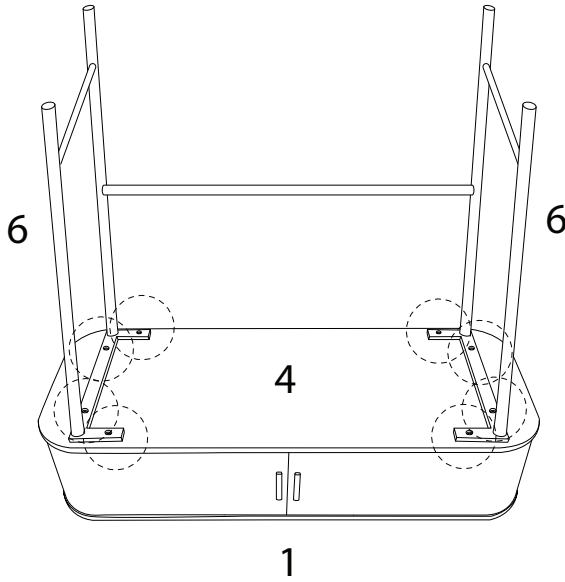
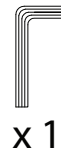


9

C

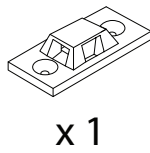


D

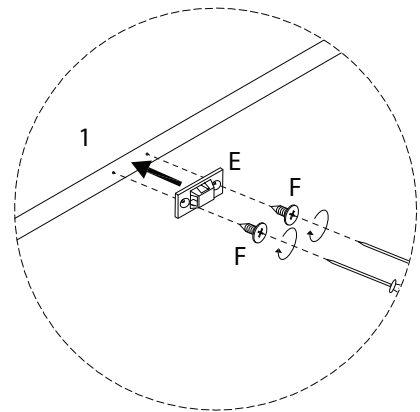
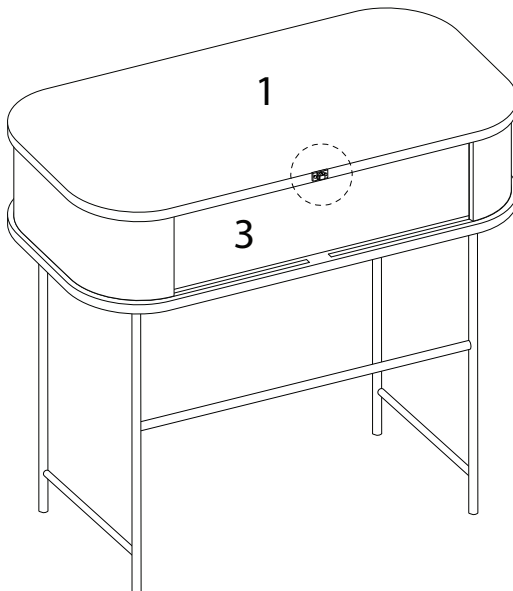
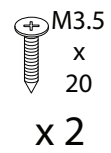


10

E



F



11

