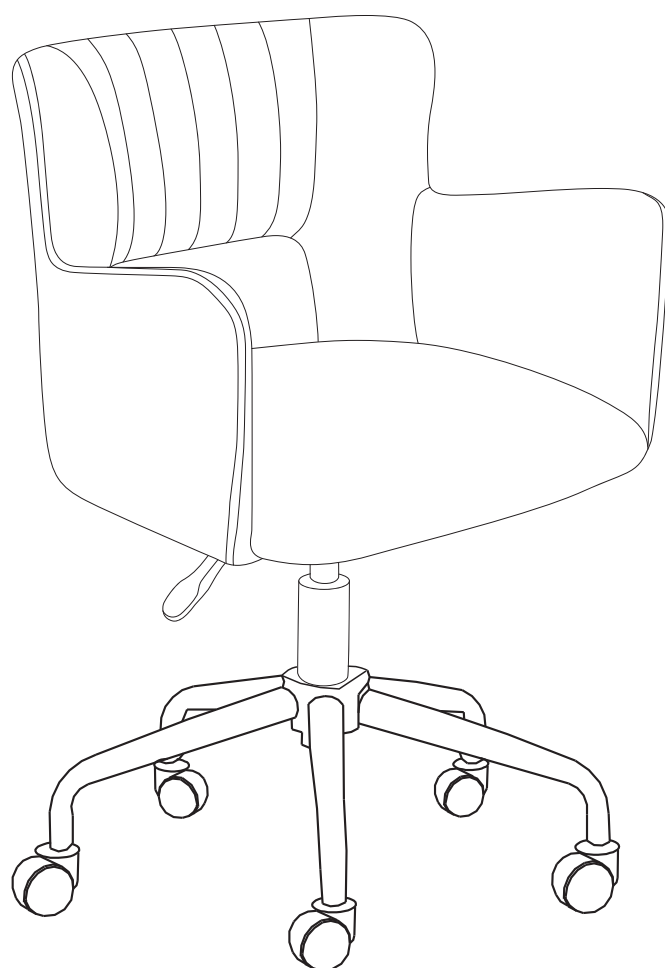
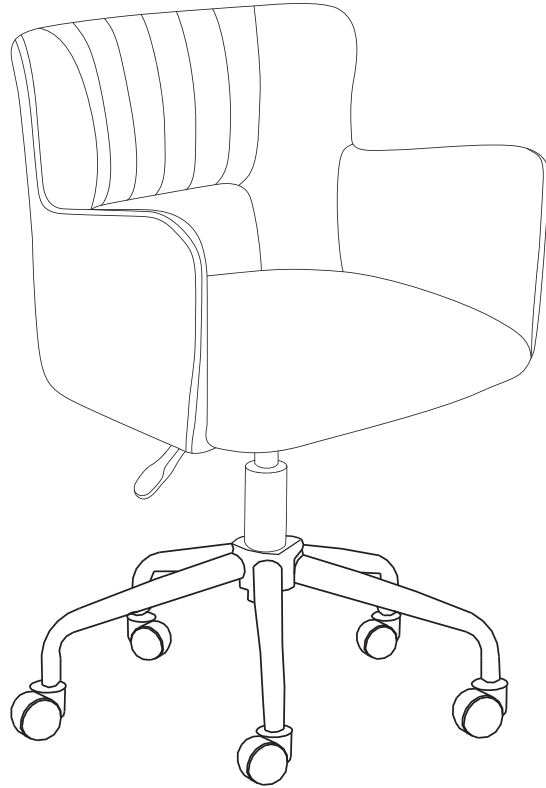
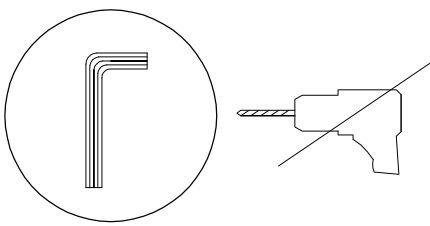

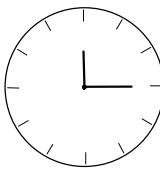
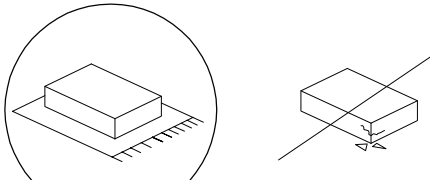

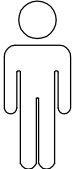
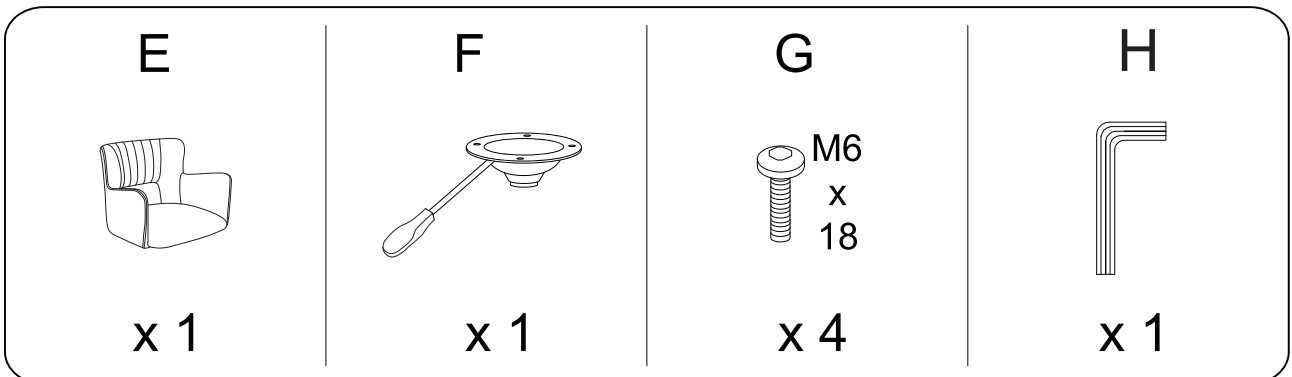
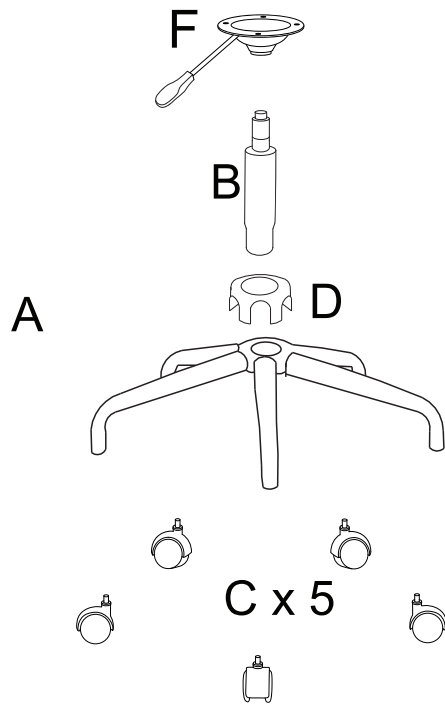
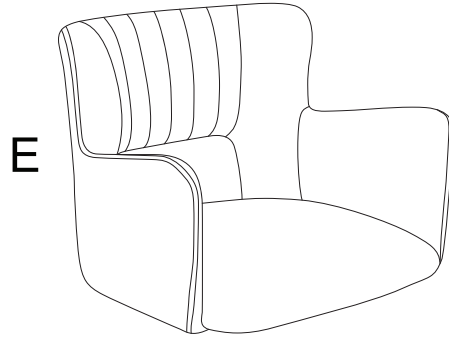
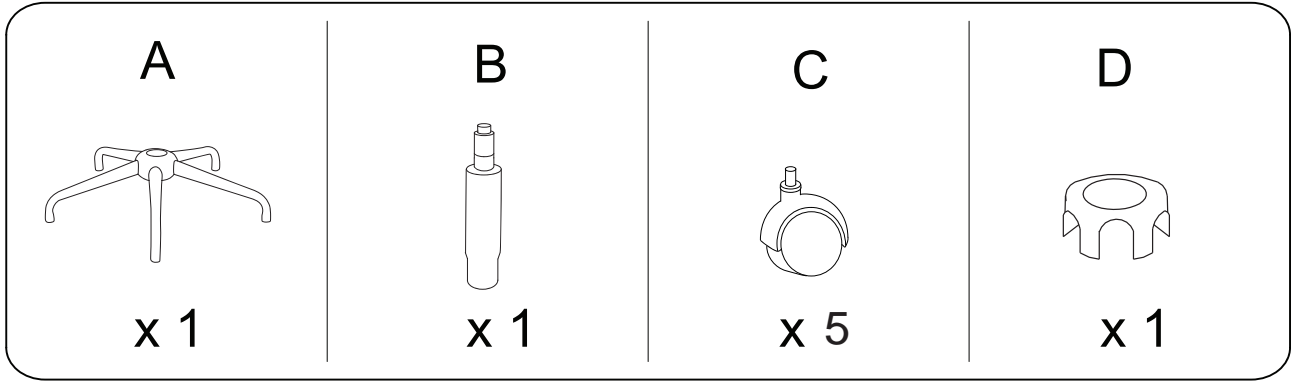


SANILAC





		
		15'
		
		1



1

A



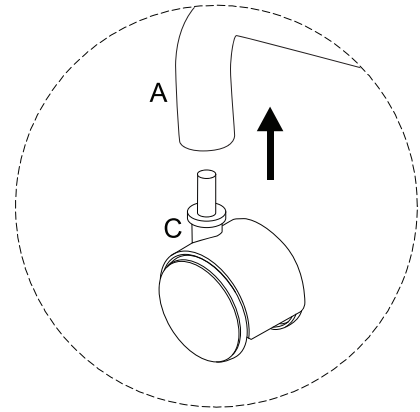
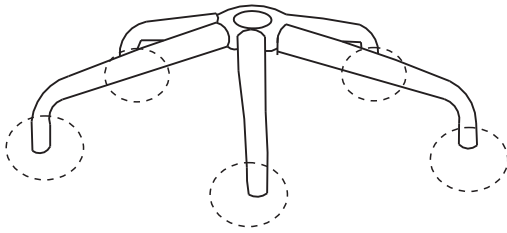
x 1

C

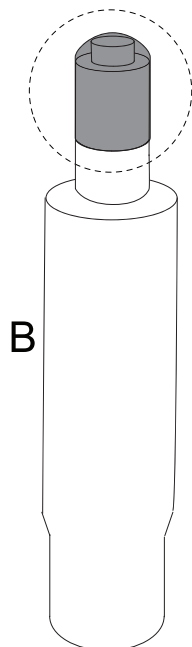


x 5

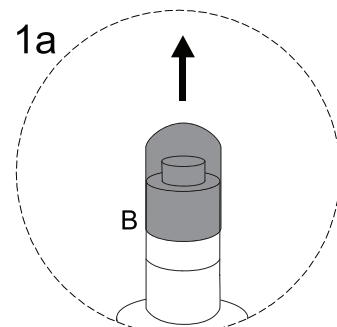
A



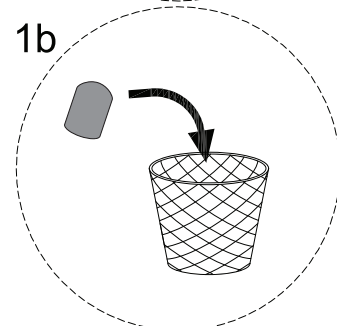
!



1a



1b



2

B

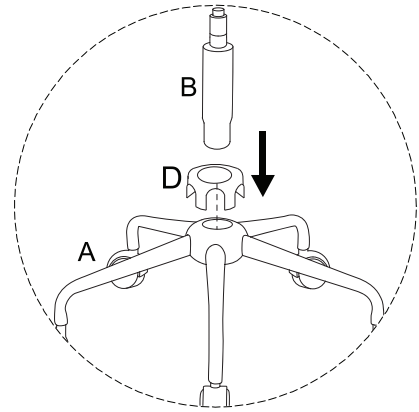
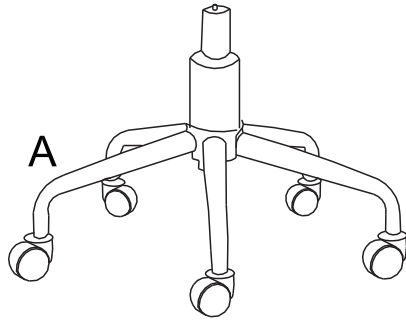


x 1

D



x 1



3

E



x 1

F



x 1

G

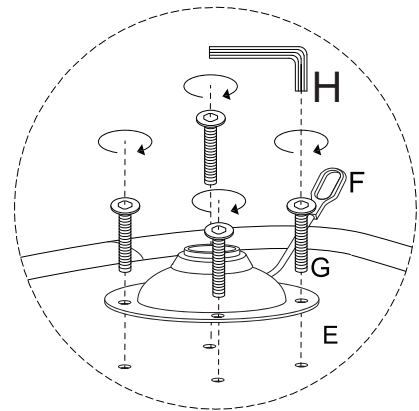
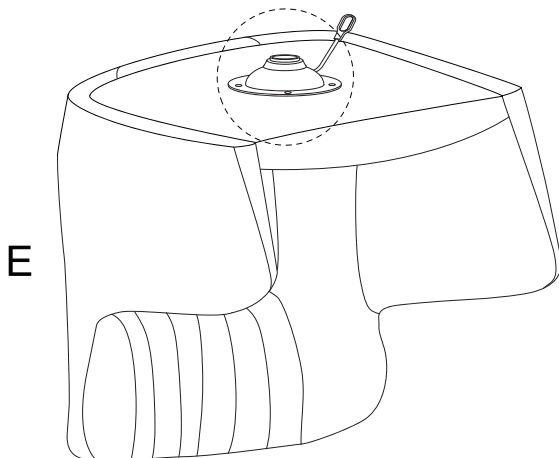


x 4

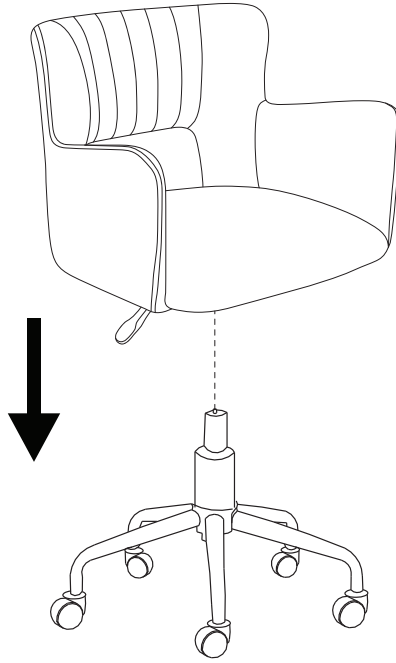
H



x 1



4



!

