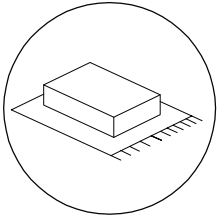
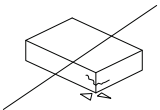
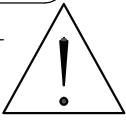
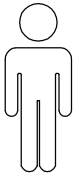

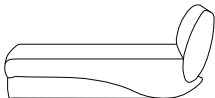
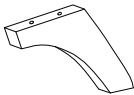

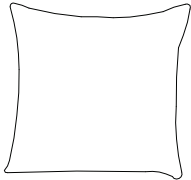
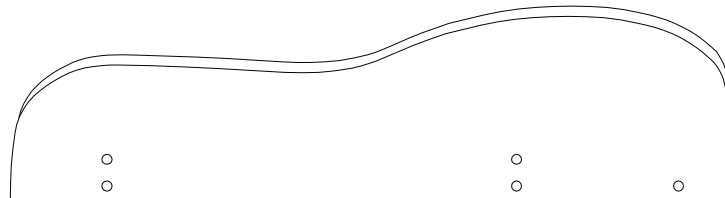
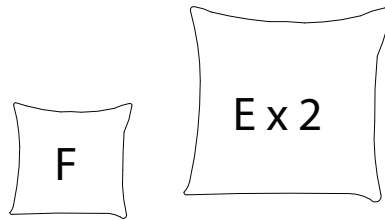
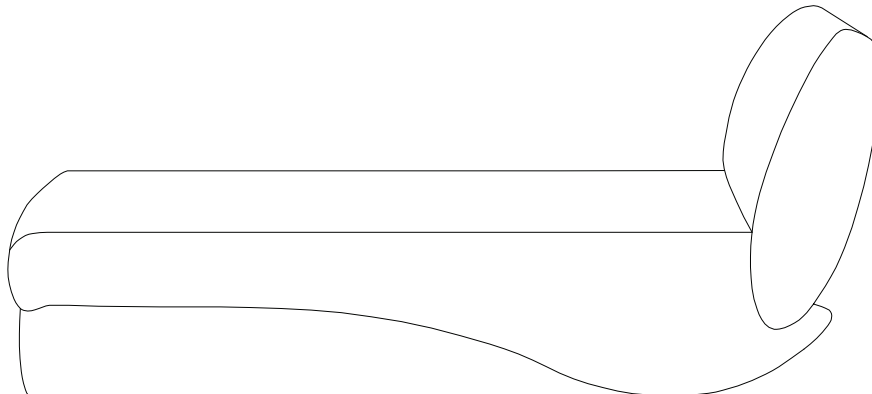

		20'
 		
		1

1/5

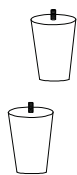
A	B	C	D	E
				
x 1	x 1	x 2	x 2	x 2



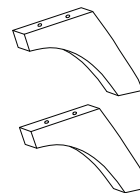
A



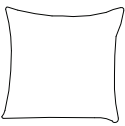
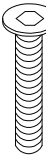
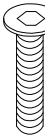
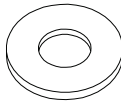

B



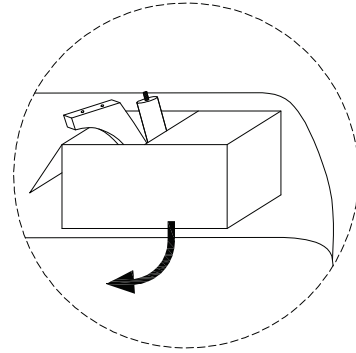
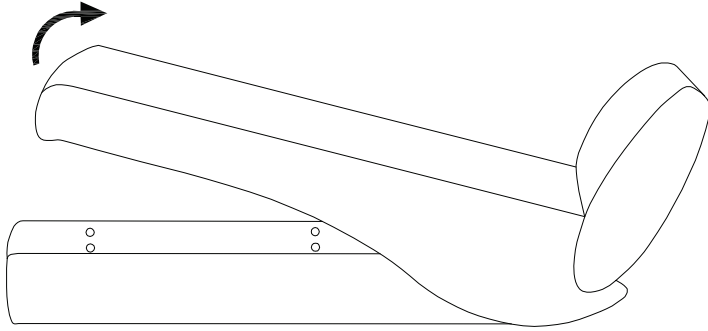
C x 2






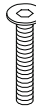
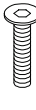

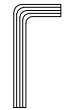
D x 2

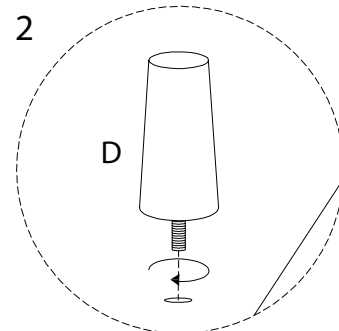
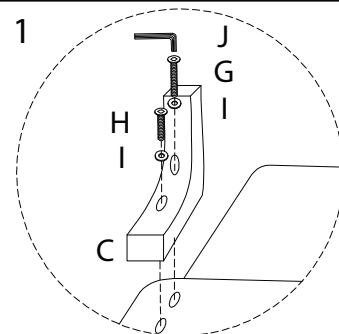
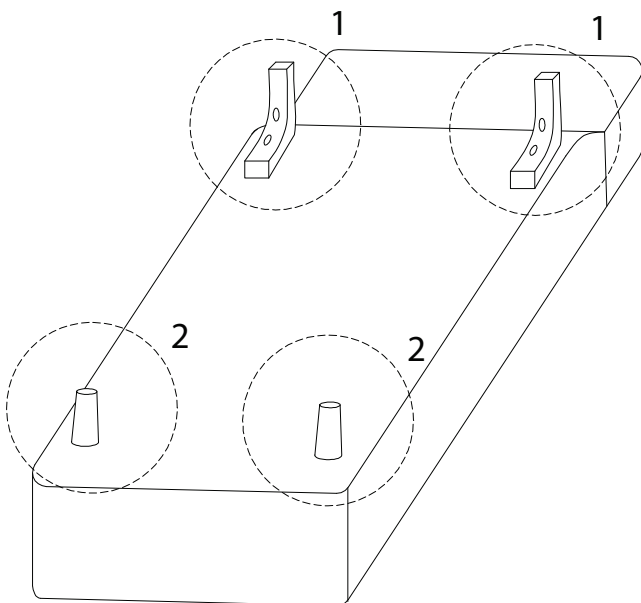
F	G	H	I	J
	 M8 x 80	 M8 x 60		
x 1	x 2	x 7	x 9	x 1

!

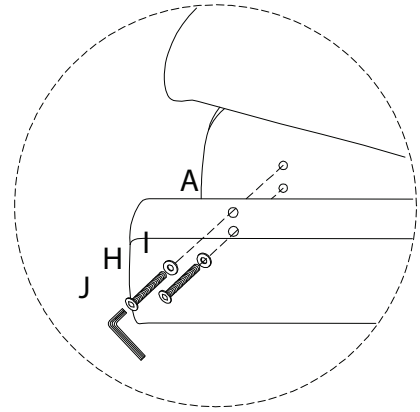
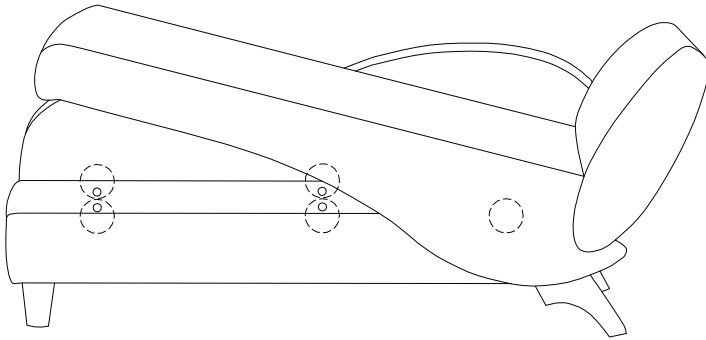
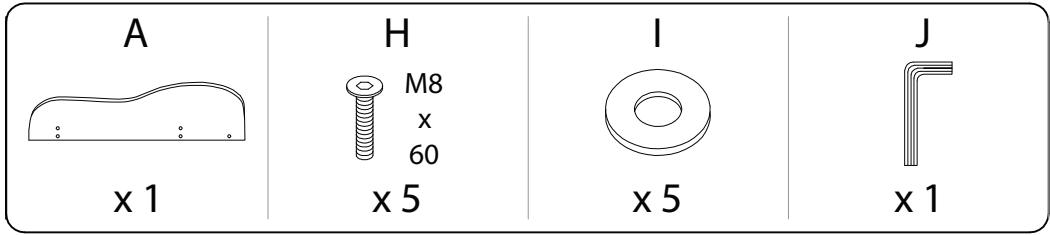


1

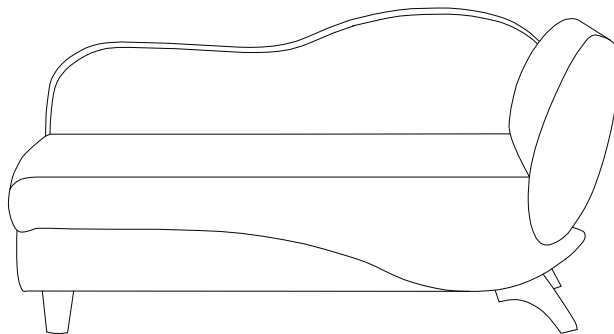
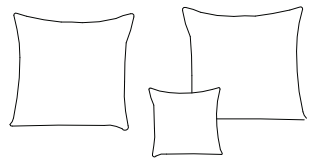
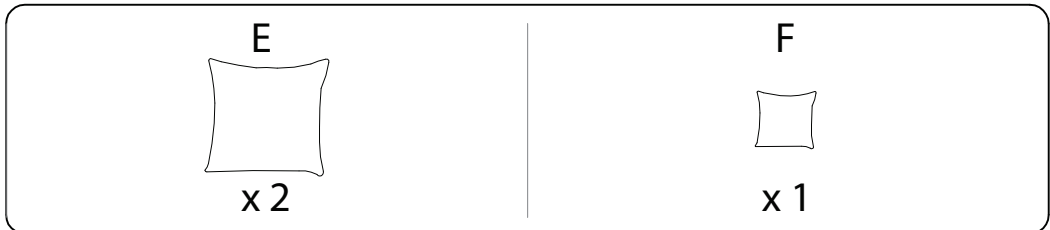
B  x1	C  x2	D  x2	G  M8 x 80 x2	H  M8 x 60 x2	I  x4	J  x1
-------------------------------------------------------------------------------------------------------	-------------------------------------------------------------------------------------------------------	-------------------------------------------------------------------------------------------------------	------------------------------------------------------------------------------------------------------------------------	-------------------------------------------------------------------------------------------------------------------------	---------------------------------------------------------------------------------------------------------	---------------------------------------------------------------------------------------------------------



2



3



4

