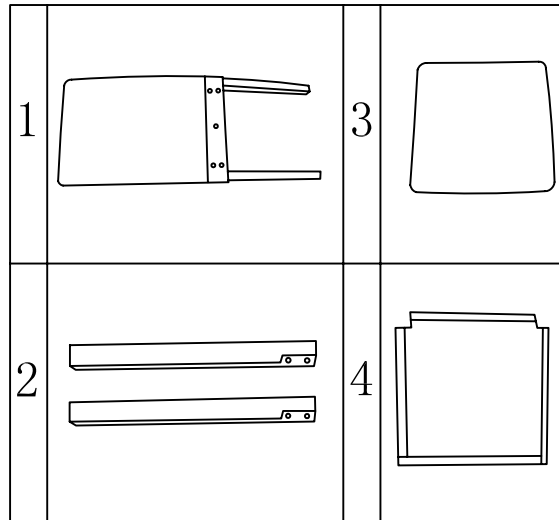


# ASSEMBLY INSTRUCTIONS

PLEASE KEEP THESE INSTRUCTIONS FOR FUTURE REFERENCE  
IMPORTANT:

To prevent damage to the product, you will find the screws and fittings taped to the inner packaging. Please examine the contents of the packaging carefully before disposal to ensure you have removed all of the parts, screws and fittings. To simplify assembly, please read through the instructions before commencing then follow them as you proceed, You may need more than one person to assemble this item. Do not fully tighten the bolts until you are sure all component parts are assembled correctly.

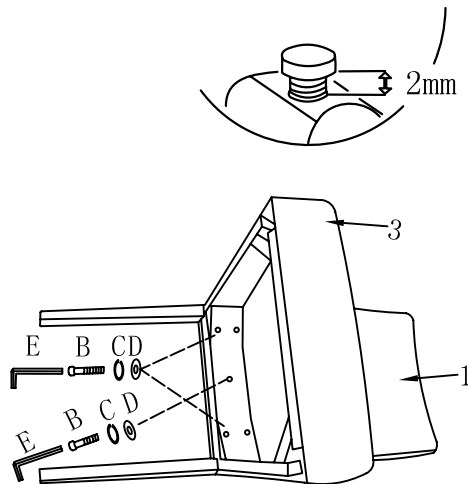


PART LIST		
ITEM	DESCRIPTION	QTY
1	CHAIR BACK	1 PC
2	FRONT LEGS (L&R)	2 PCS
3	CUSHION SEAT	1 PC
4	COVER UNDER THE SEAT	1 PC

HARDWARE LIST			
ITEM	DESCRIPTION	PIC	QTY
A	LONG BOLT		4 PCS
B	SHORT BOLT		5 PCS
C	SPRING WASHER		9 PCS
D	WASHER		9 PCS
E	ALLEN KEY		1 PC

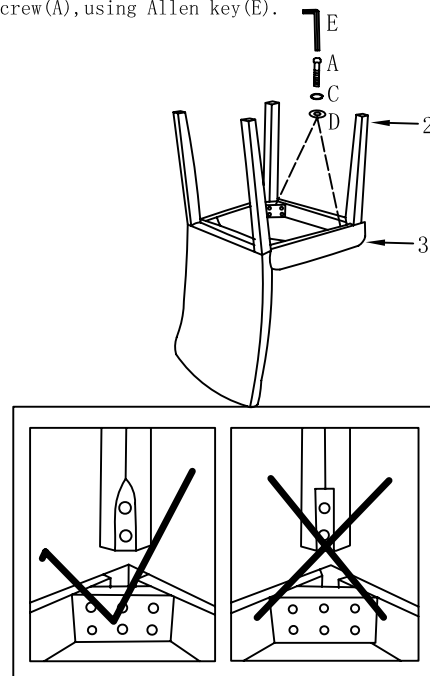
## STEP 1

Attach the chair back(1) to the seat(3) with the washer(D), spring washer(c) and screw(A&B), using Allen key(E).



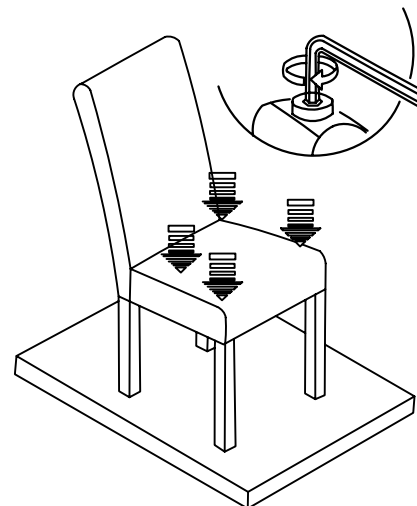
## STEP 2

Attach the Front legs(2) to the seat(3) with the washer(D), spring washer(c) and screw(A), using Allen key(E).



## STEP 3

Please put the chair on a flat surface.  
Please adjust the parts connecting the seat and the back to make sure four legs are on same level.  
Do not fully-tighten the bolt until you confirm that the legs is on same level.



## STEP 4

Put the cover under the seat(4) to the cushion seat(3).

