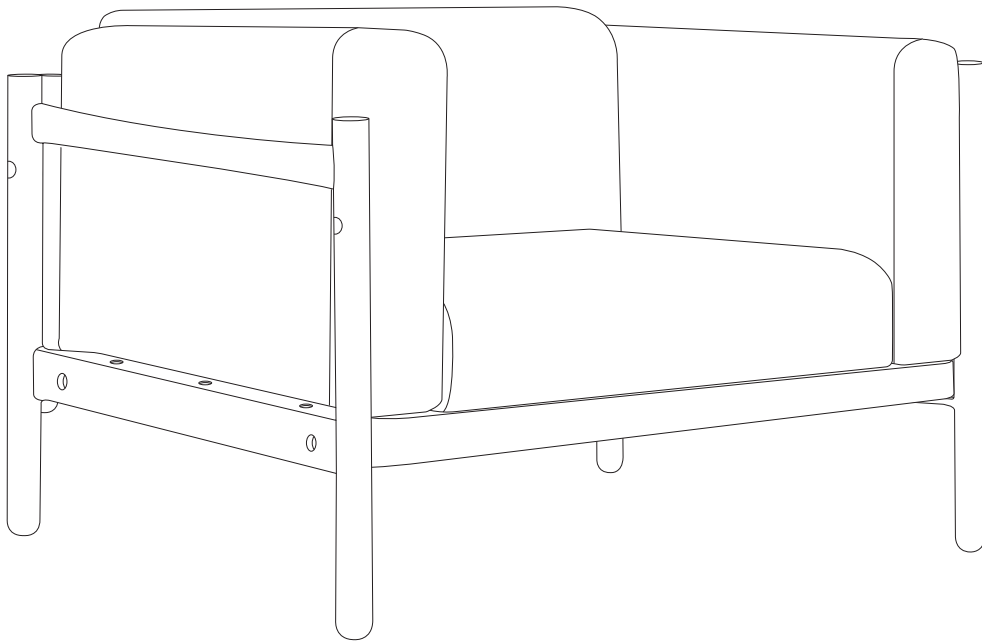
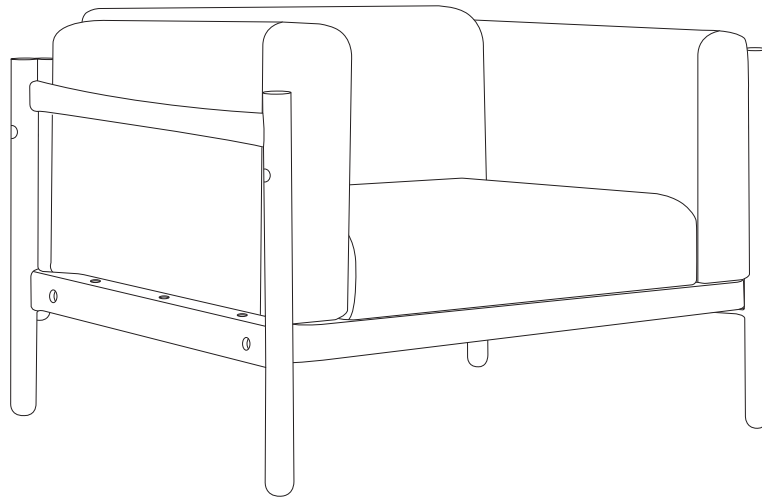
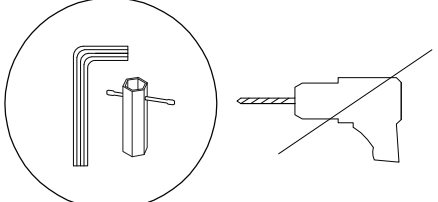

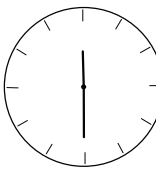
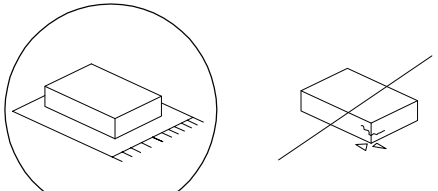


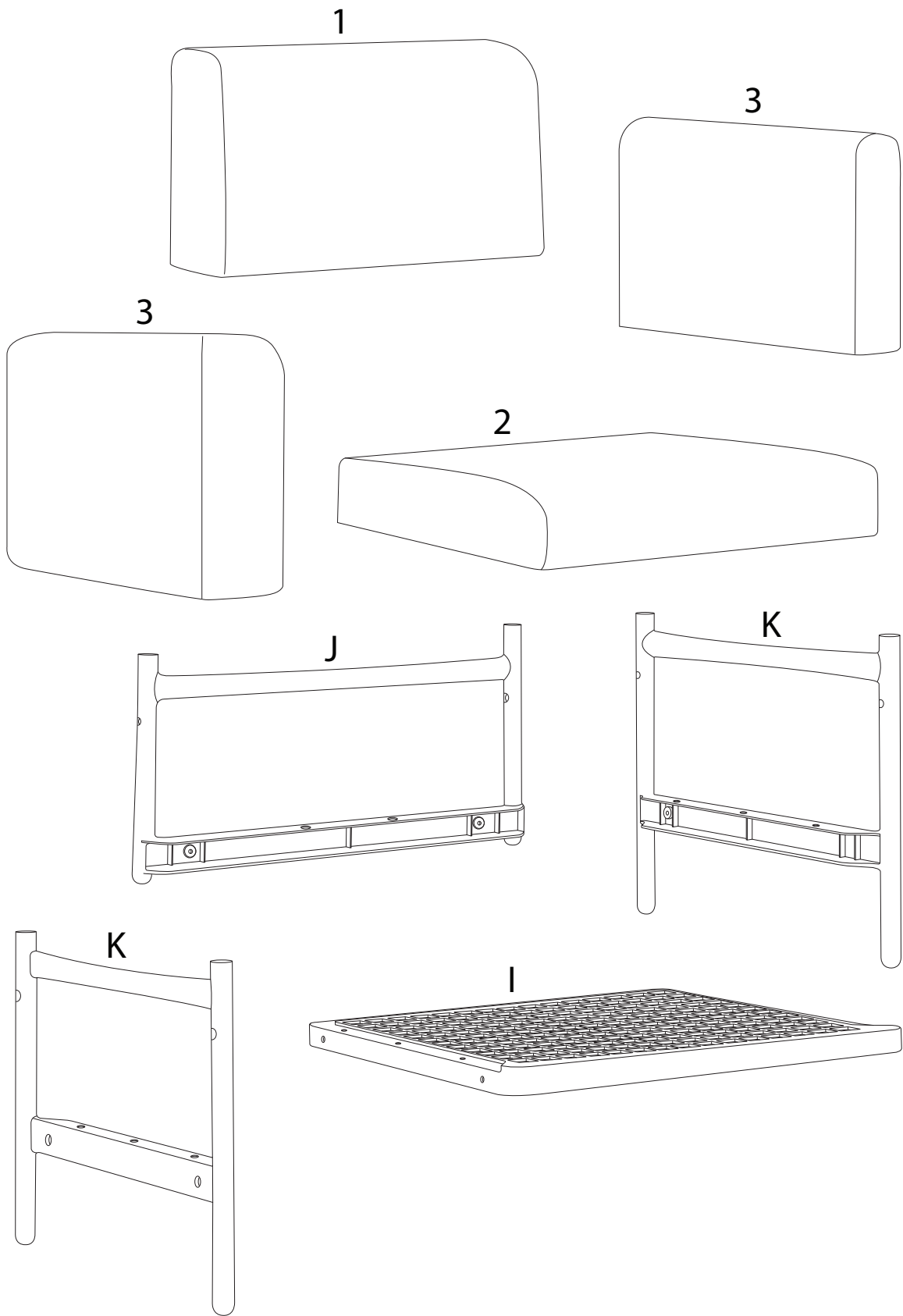


# FERRETTI

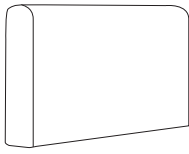




		
		<b>30'</b>
		
		<b>1</b>

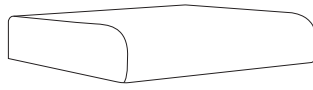


1



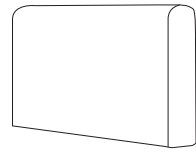
x 1

2



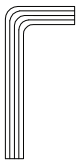
x 1

3



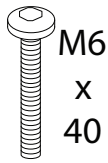
x 2

A



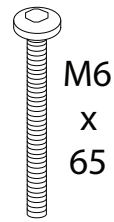
x 1

B



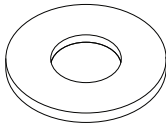
x 2

C



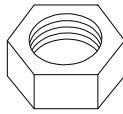
x 14

D



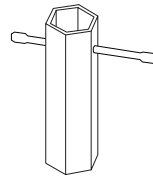
x 32

E



x 16

F



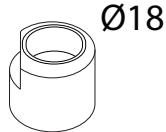
x 1

G



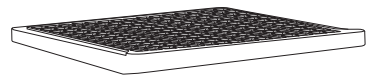
x 2

H



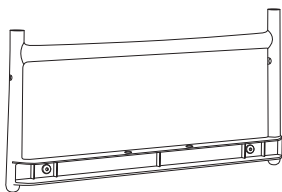
x 6

I



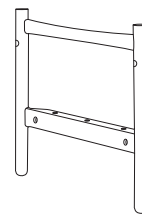
x 1

J





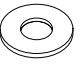
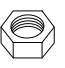
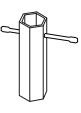


x 1

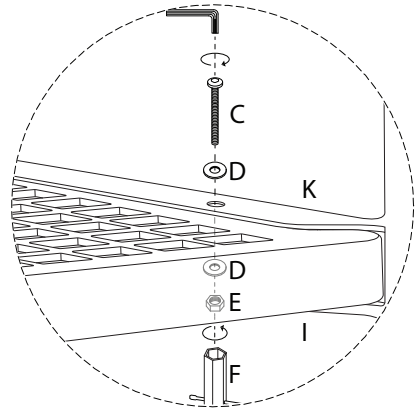
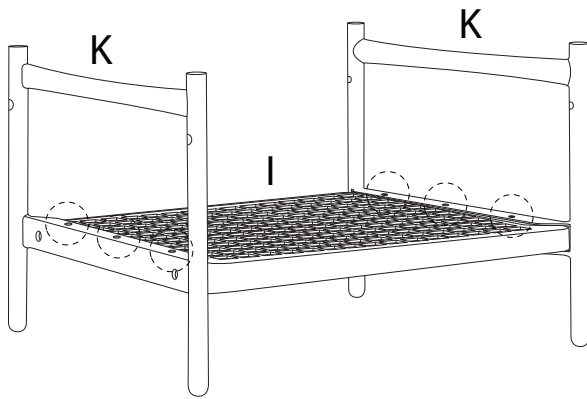
K



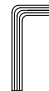
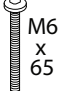
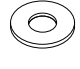
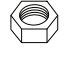
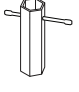

x 2

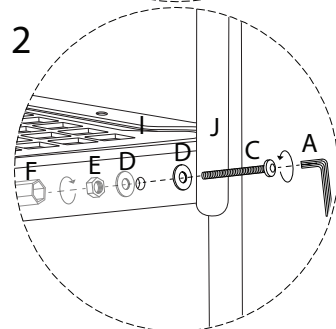
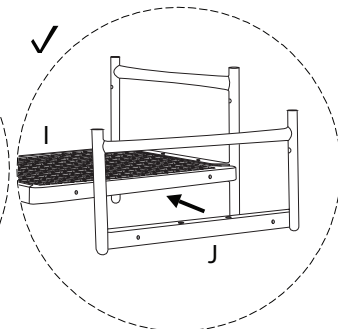
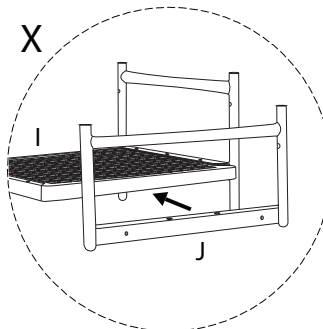
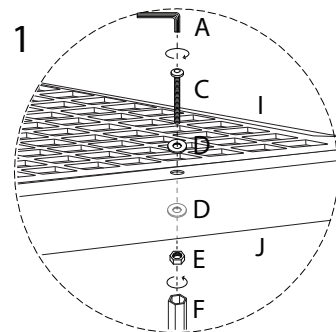
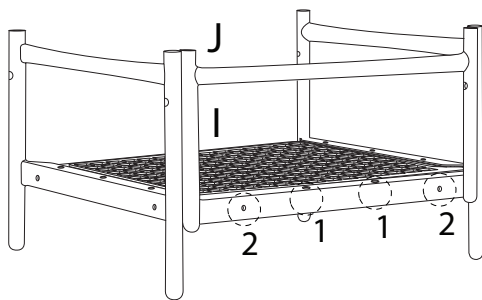
1

A  x 1	C  x 6	D  x 12	E  x 6	F  x 1	I  x 1	K  x 2
---	---	--	---	---	---	---

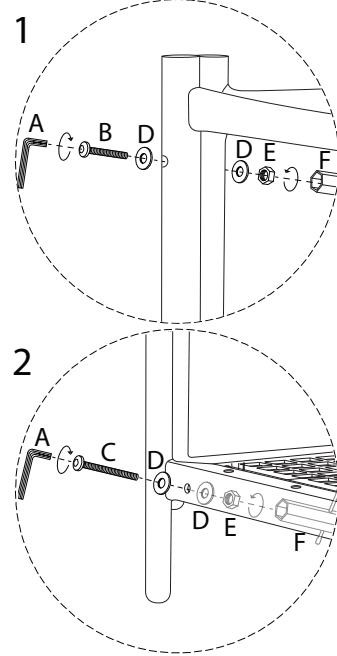
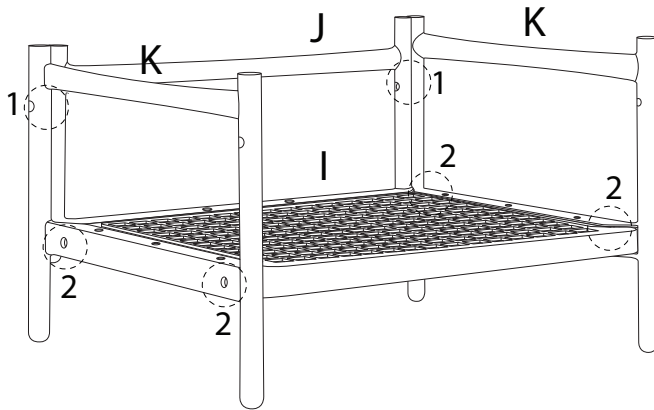
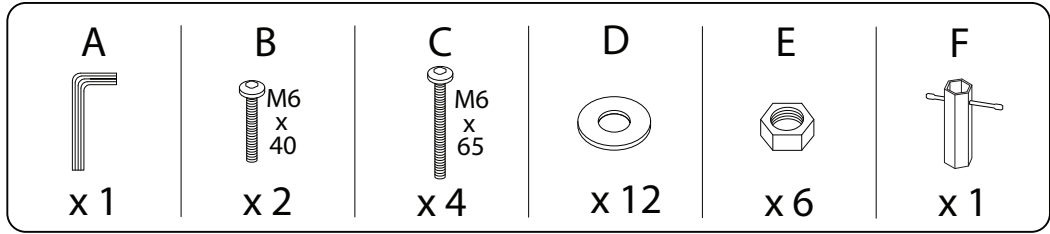


2

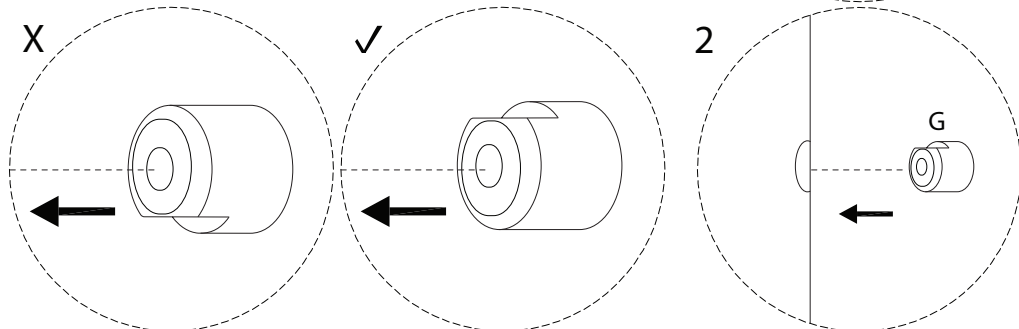
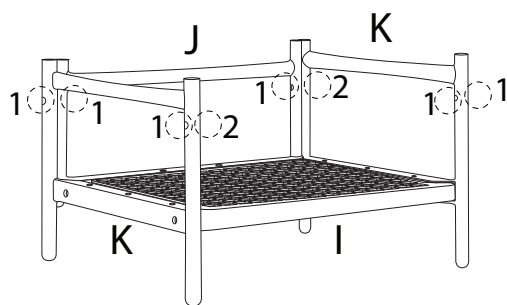
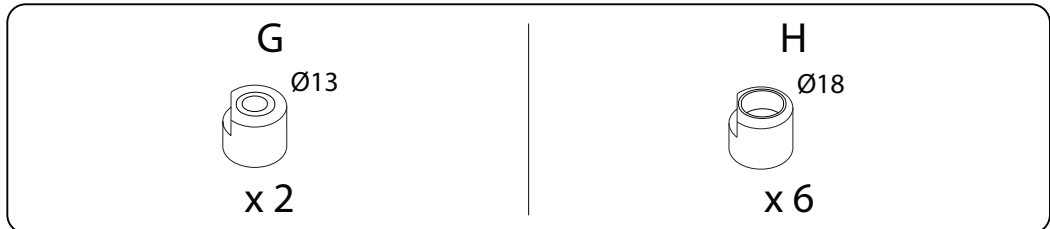
A  x 1	C  x 4	D  x 8	E  x 4	F  x 1	J  x 1
---	---	---	--	---	---



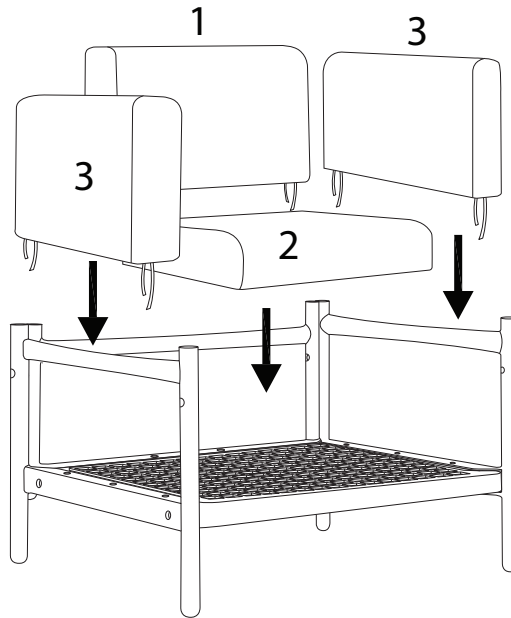
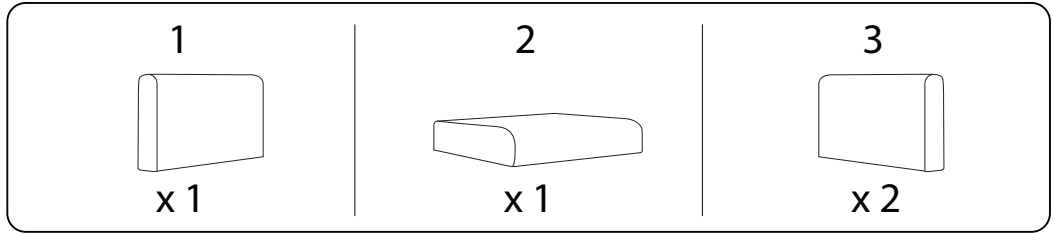
3



4



5



!

