
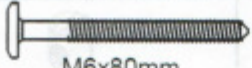




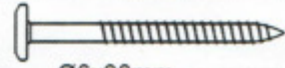

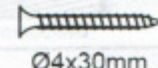



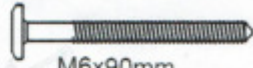
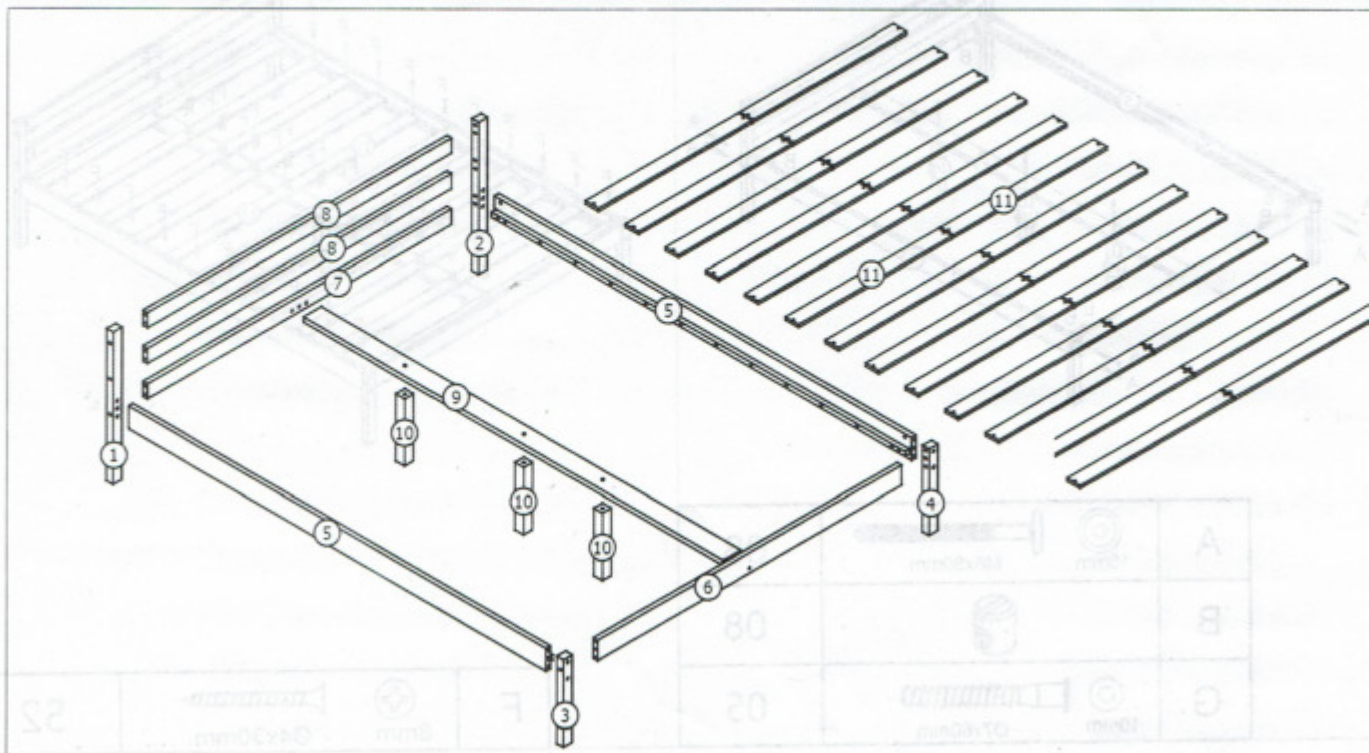


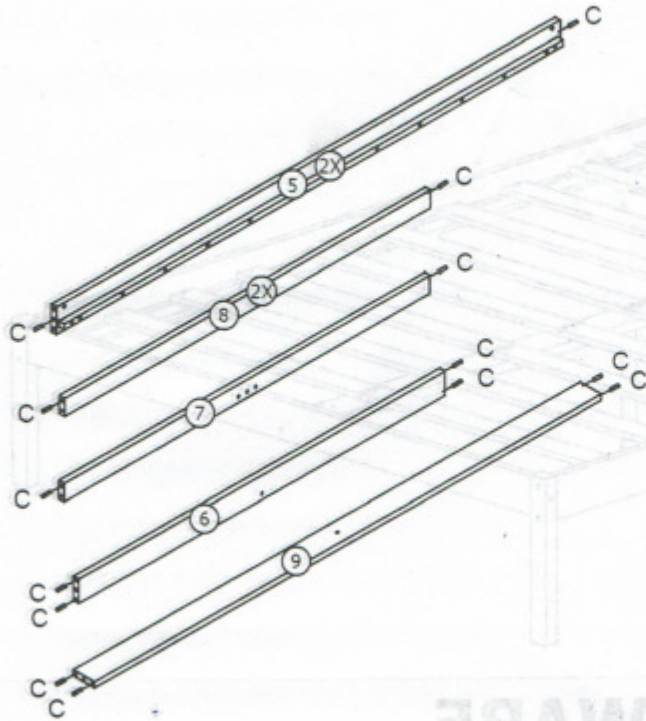
HARDWARE

A	 15mm	 M6x80mm	08
B			10
C	 Ø8x30mm		18
D			01

E	 15mm	 Ø6x90mm	06
F	 8mm	 Ø4x30mm	52
G	 10mm	 Ø7x60mm	05
H	 15mm	 M6x90mm	02

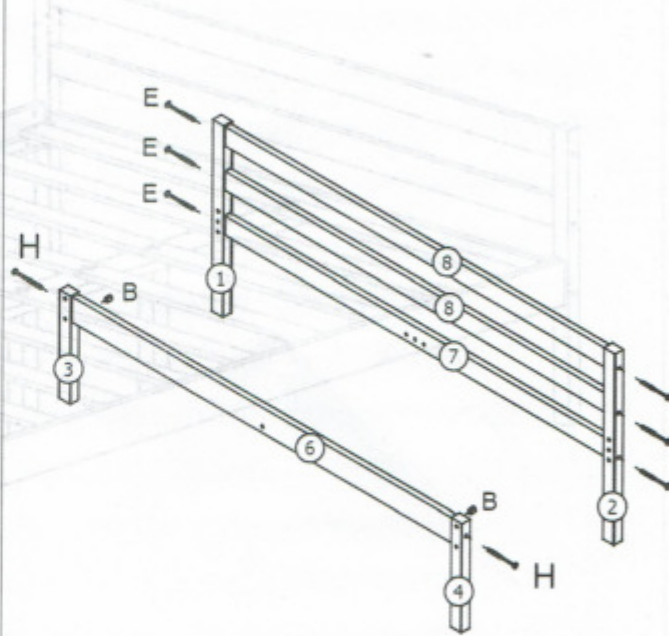





01



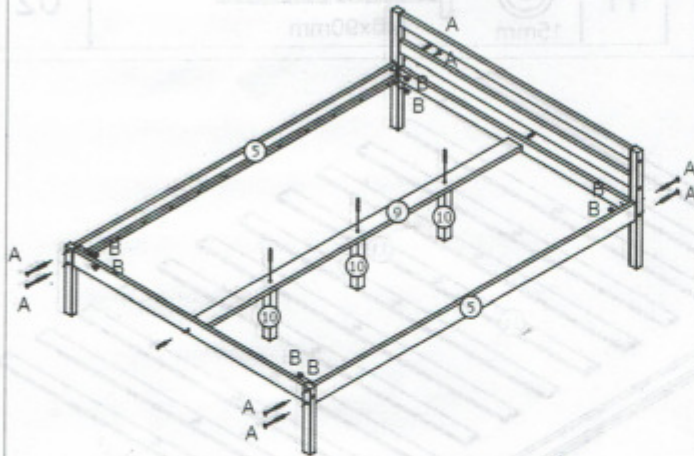
C		18
	Ø8x30mm	



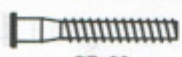
02



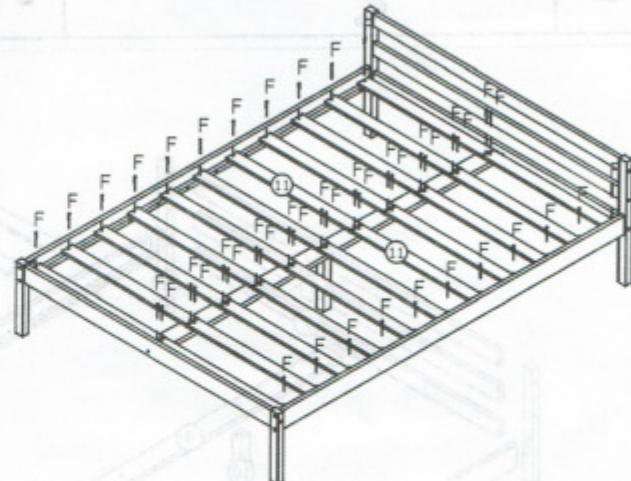
H		15mm	M6x90mm	02
B				02
E		15mm	Ø6x90mm	06


03



A		15mm	M6x80mm	08
B				08
G		10mm	Ø7x60mm	05

04



F		8mm	Ø4x30mm	52
---	---	-----	---------	----