
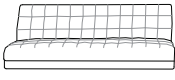


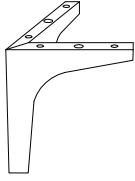
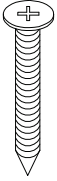
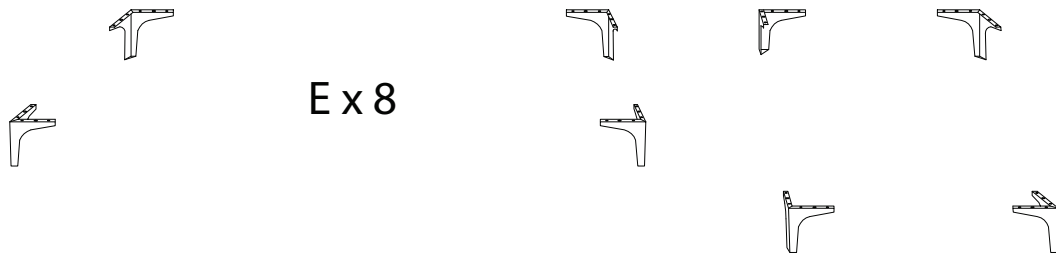
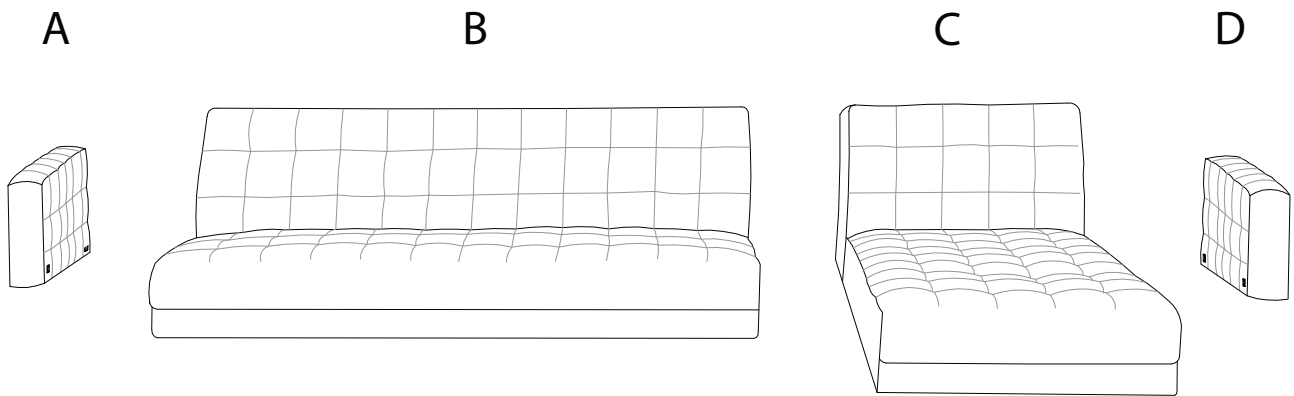

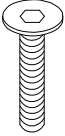
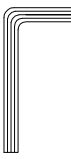
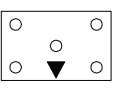
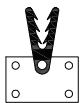


Assembly instructions for step 1/6:

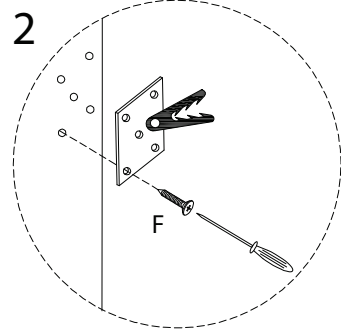
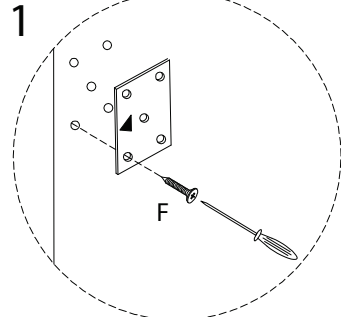
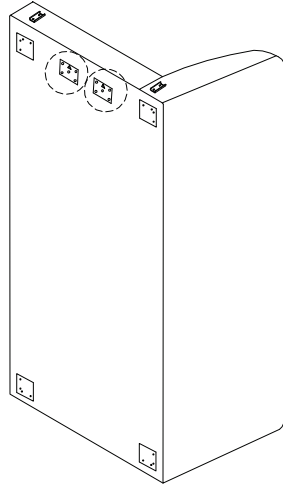
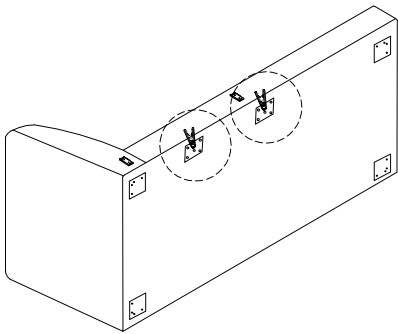
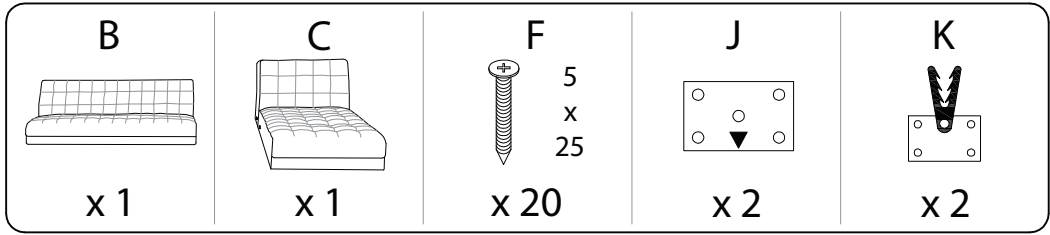
- Tools:** A circle containing an Allen key and a screwdriver. A power drill is shown with a diagonal line through it, indicating it is not to be used.
- Warning:** A triangle with an exclamation mark.
- Time:** A clock icon with the text "45'" below it.
- Personnel:** A person icon with the number "2" below it.

A	B	C	D	E	F
					
x 1	x 1	x 1	x 1	x 8	5 x 25 x 52

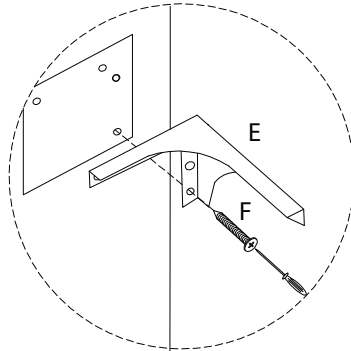
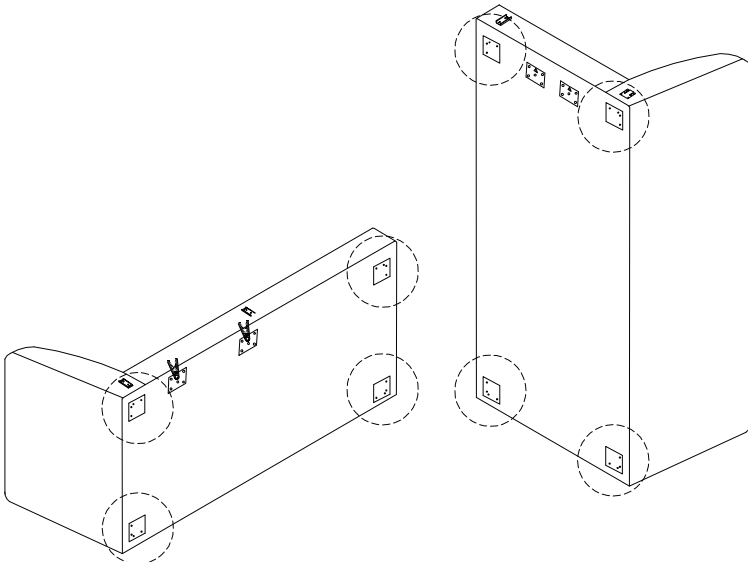
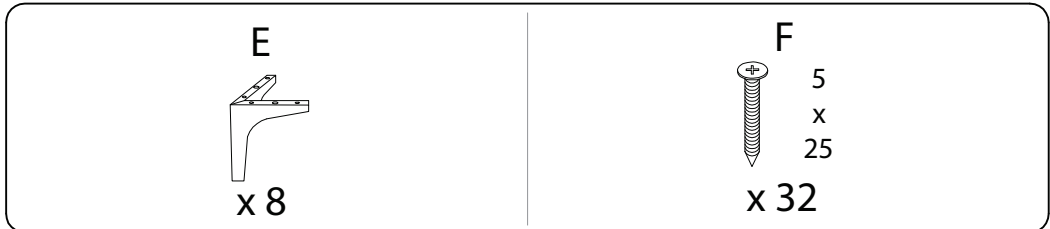


G	H	I	J	K
	 M6 x 30			
x 4	x 8	x 1	x 2	x 2

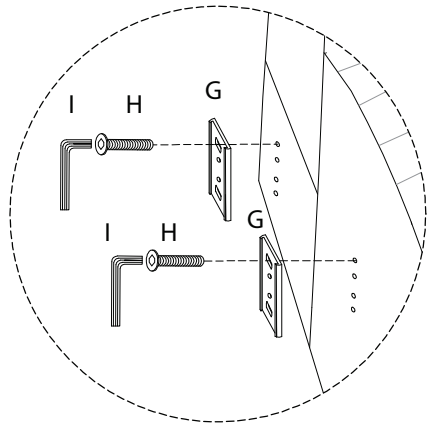
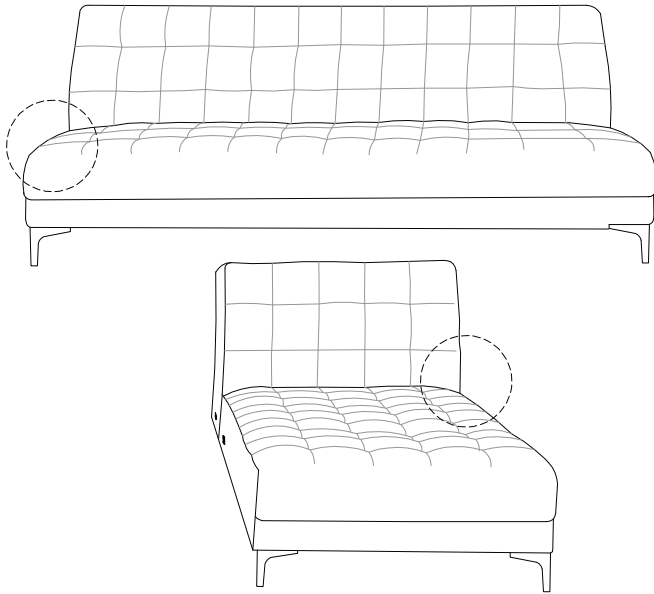
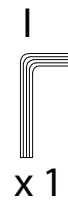
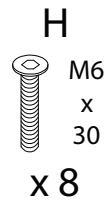
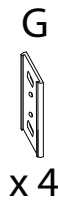
1



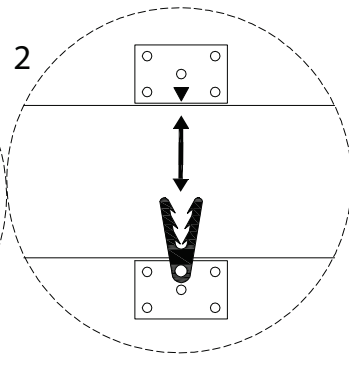
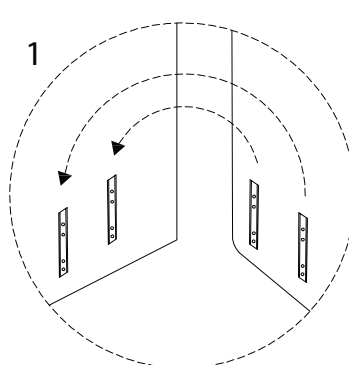
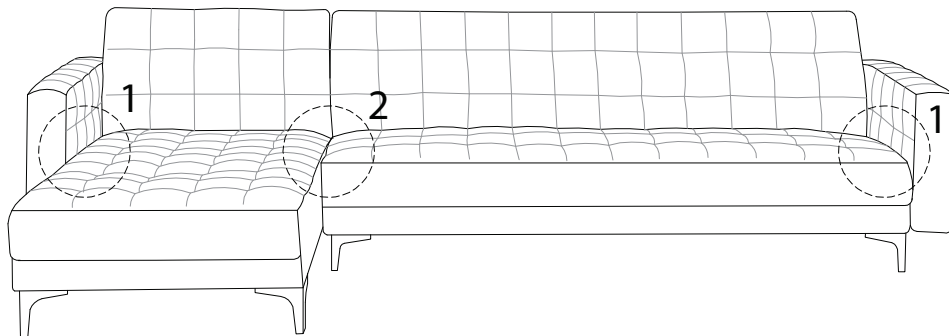
3



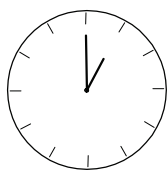
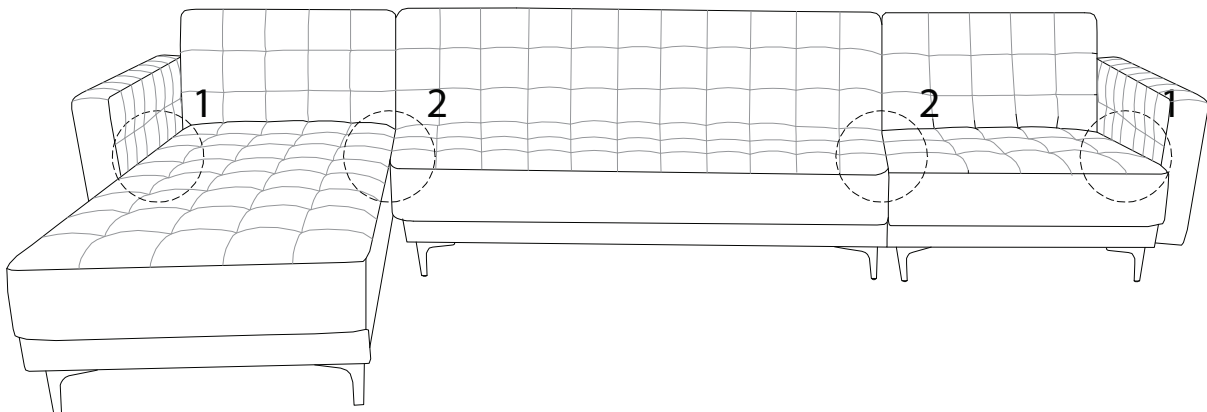
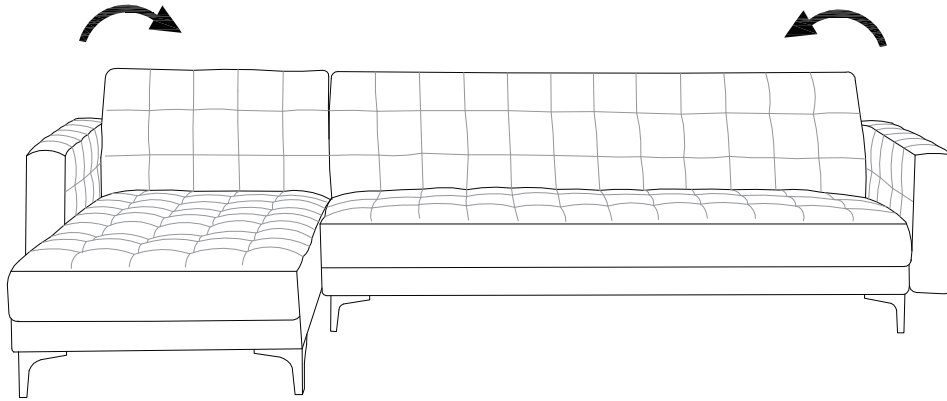
2



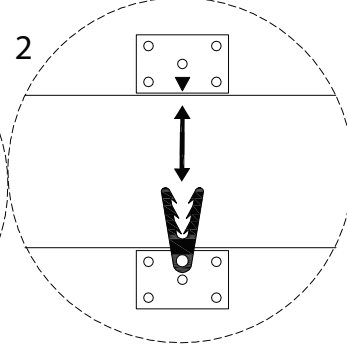
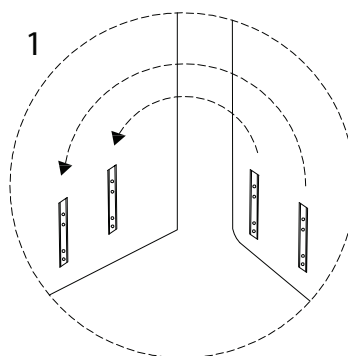
4

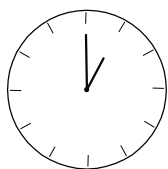
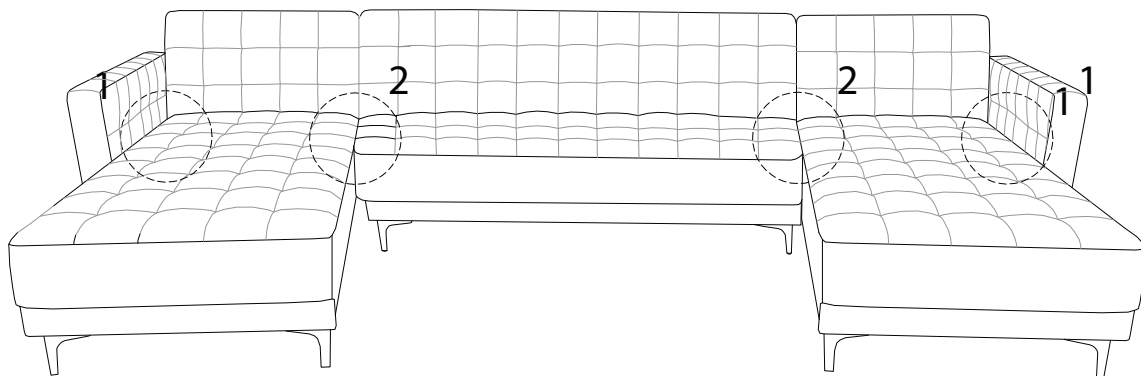


!

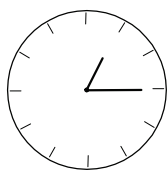
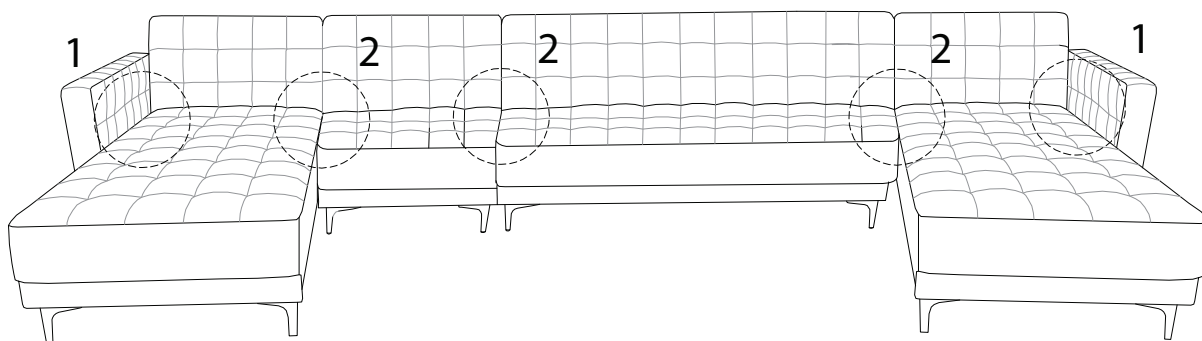
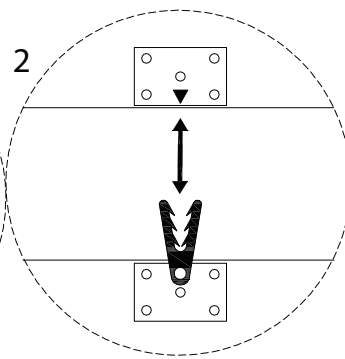
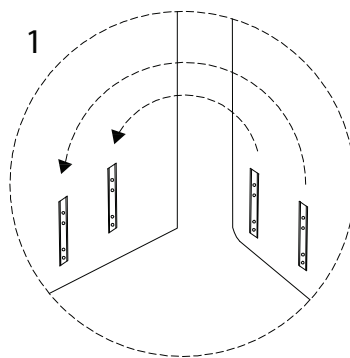


60'





60'



75'

