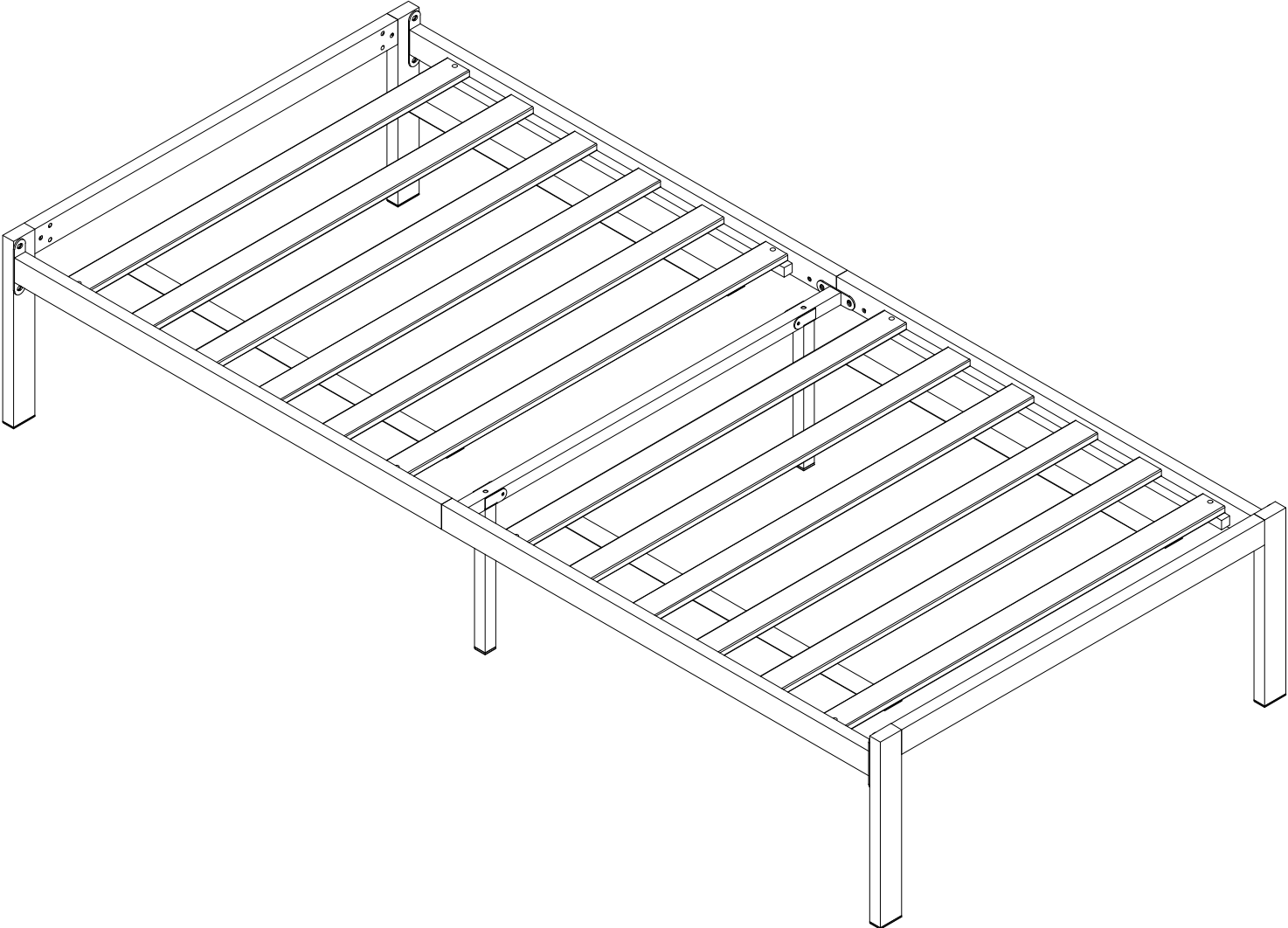
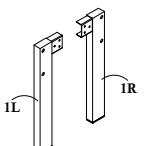
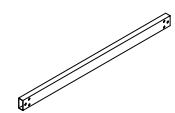
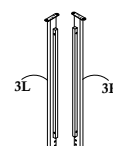
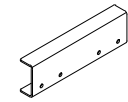
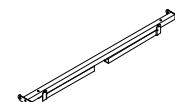
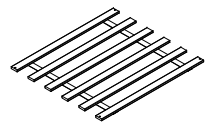

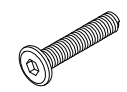
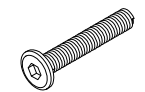
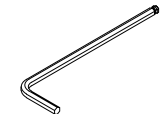


ASSEMBLY INSTRUCTION

Model : MTB014 (WITHOUT HEADBOARD) Item Code : 2510
SINGLE 900 x 2000

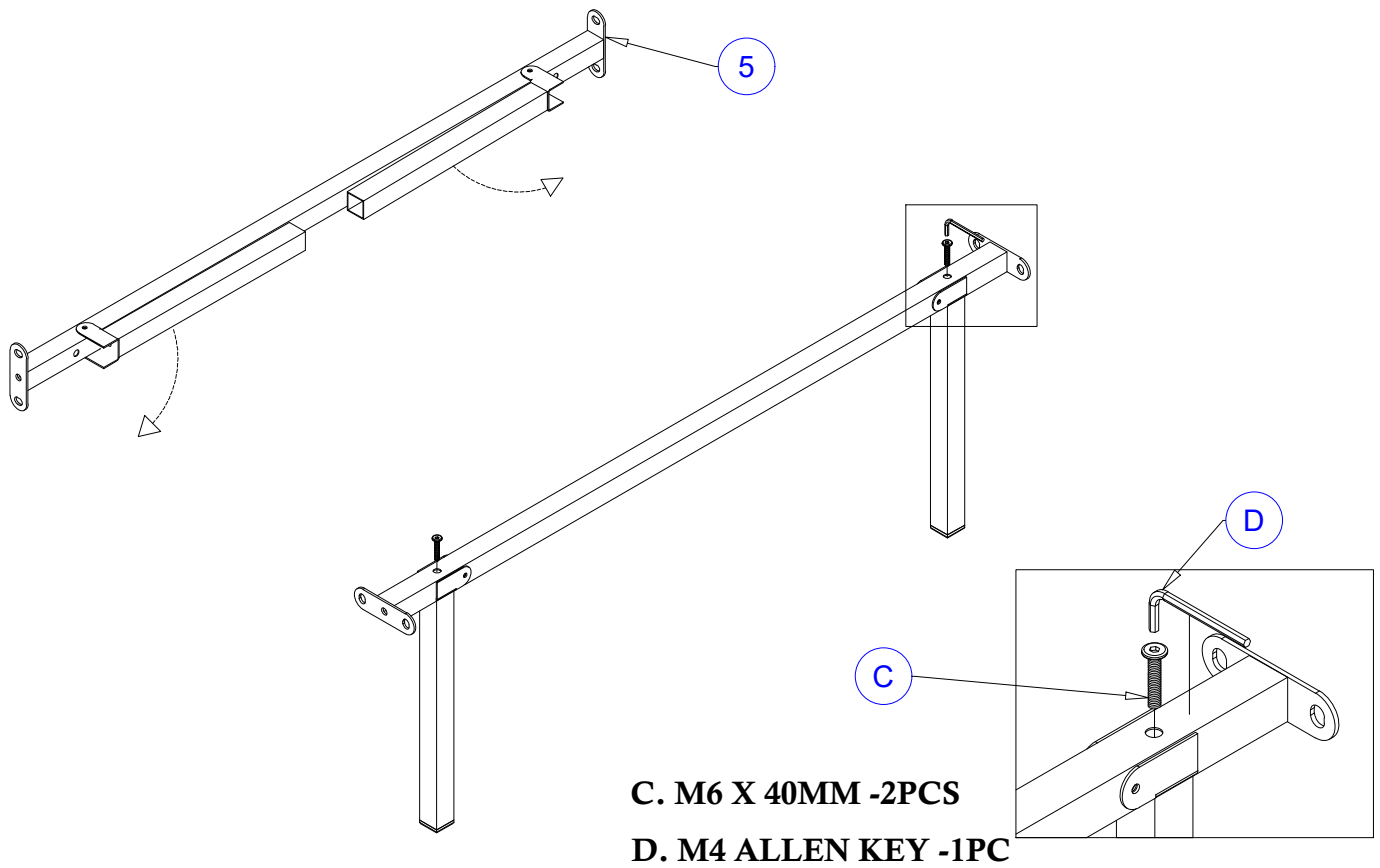


<p>1. HEADBOARD LEG - 4PCS</p> 	<p>2. HEADBOARD RAIL - 2PCS</p> 	<p>3. SIDE RAIL - 4PCS</p> 	<p>4. SIDE RAIL SUPPORT - 2PCS</p> 	<p>5. CENTER SUPPORT - 1PC</p> 	<p>6. LVL SLATS - 12PCS (2 SET)</p> 
---	---	--	--	--	---

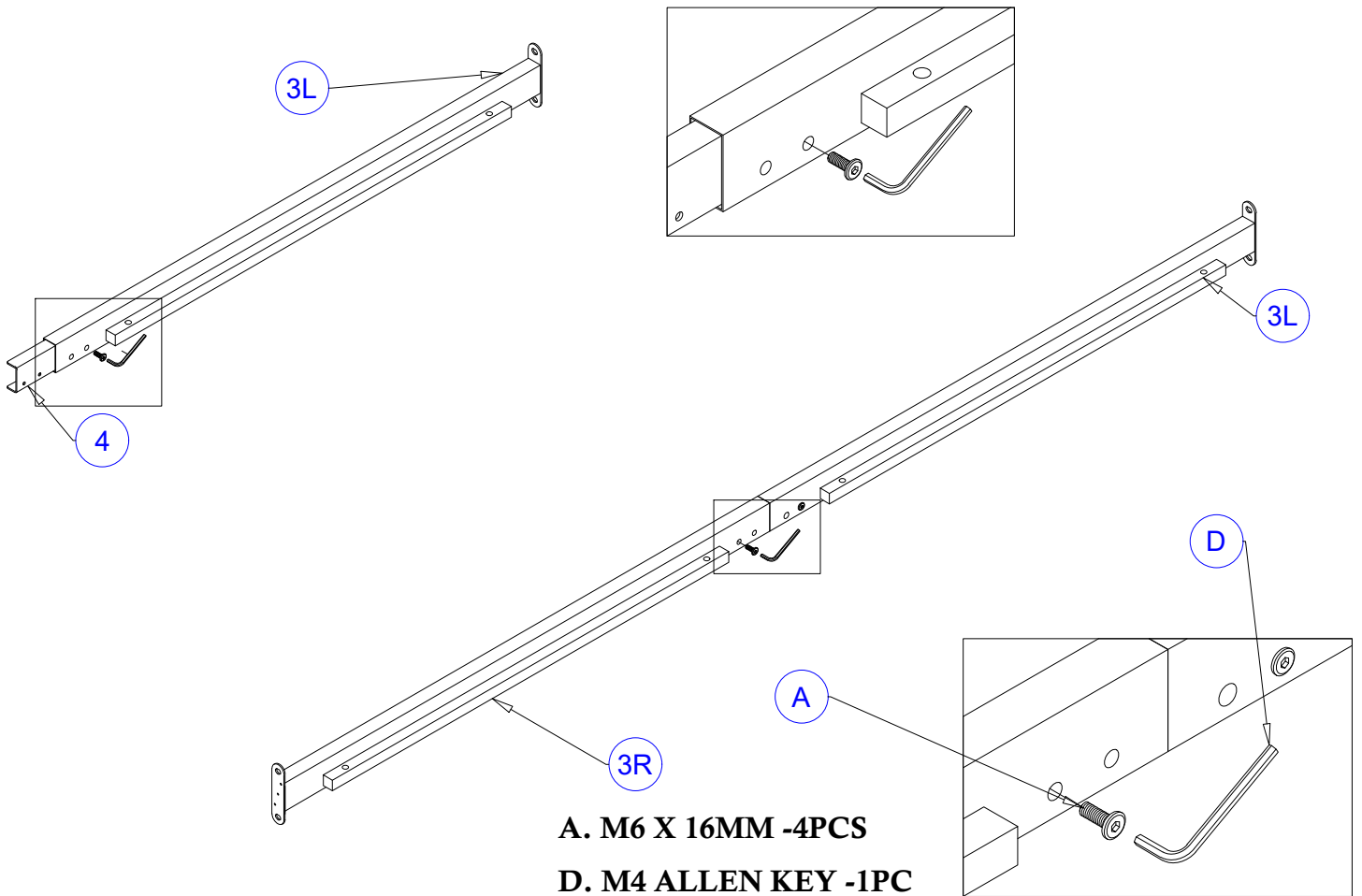
<p>A. JCBC M6 X 16MM - 28PCS</p> 	<p>B. JCBC M6 X 30MM - 8PCS</p> 	<p>C. JCBC M6 X 40MM - 2PCS</p> 	<p>D. M4 ALLEN KEY - 1PC</p> 
--	---	---	--

ASSEMBLY INSTRUCTION

Step 1

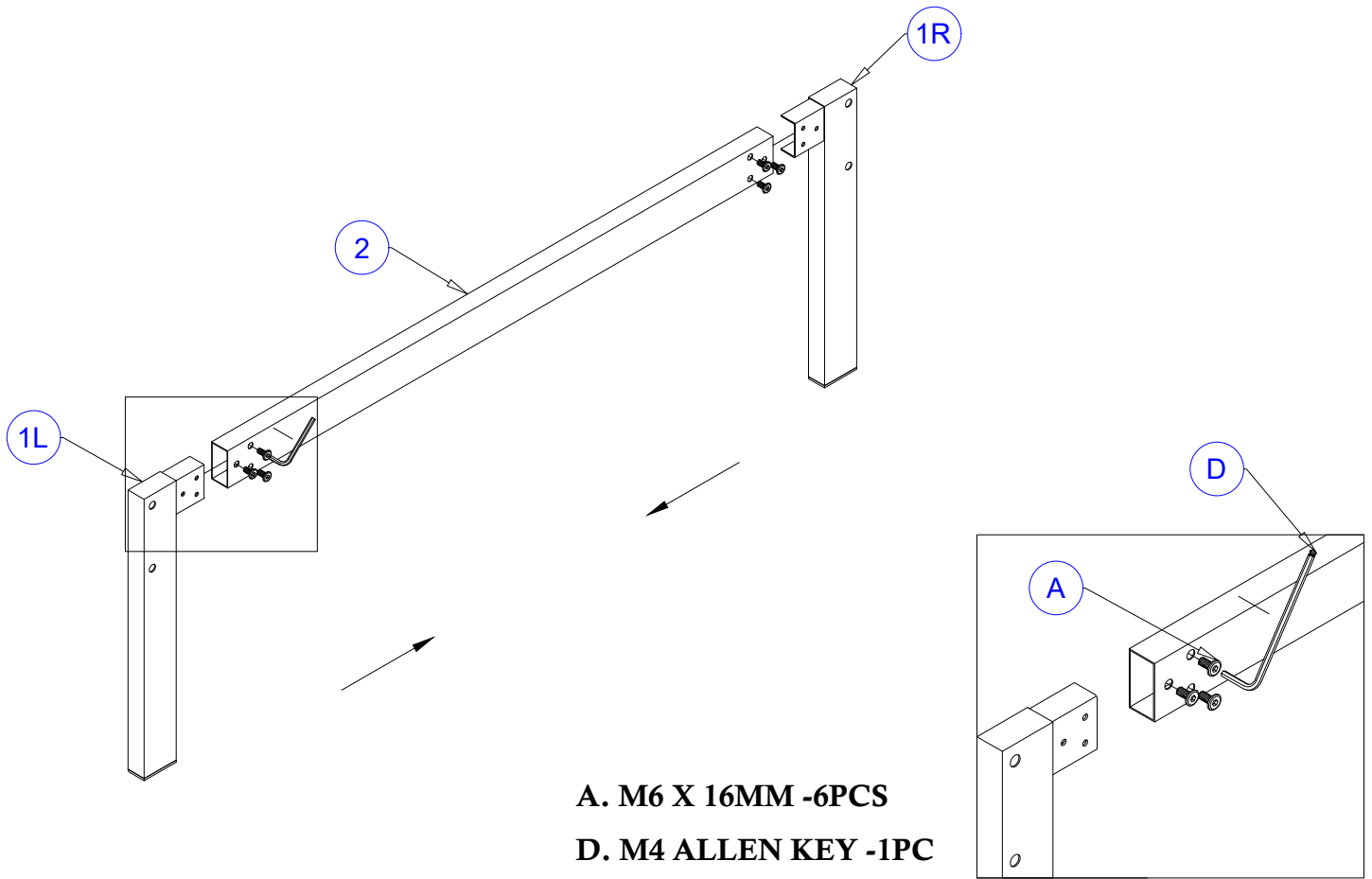


Step 2

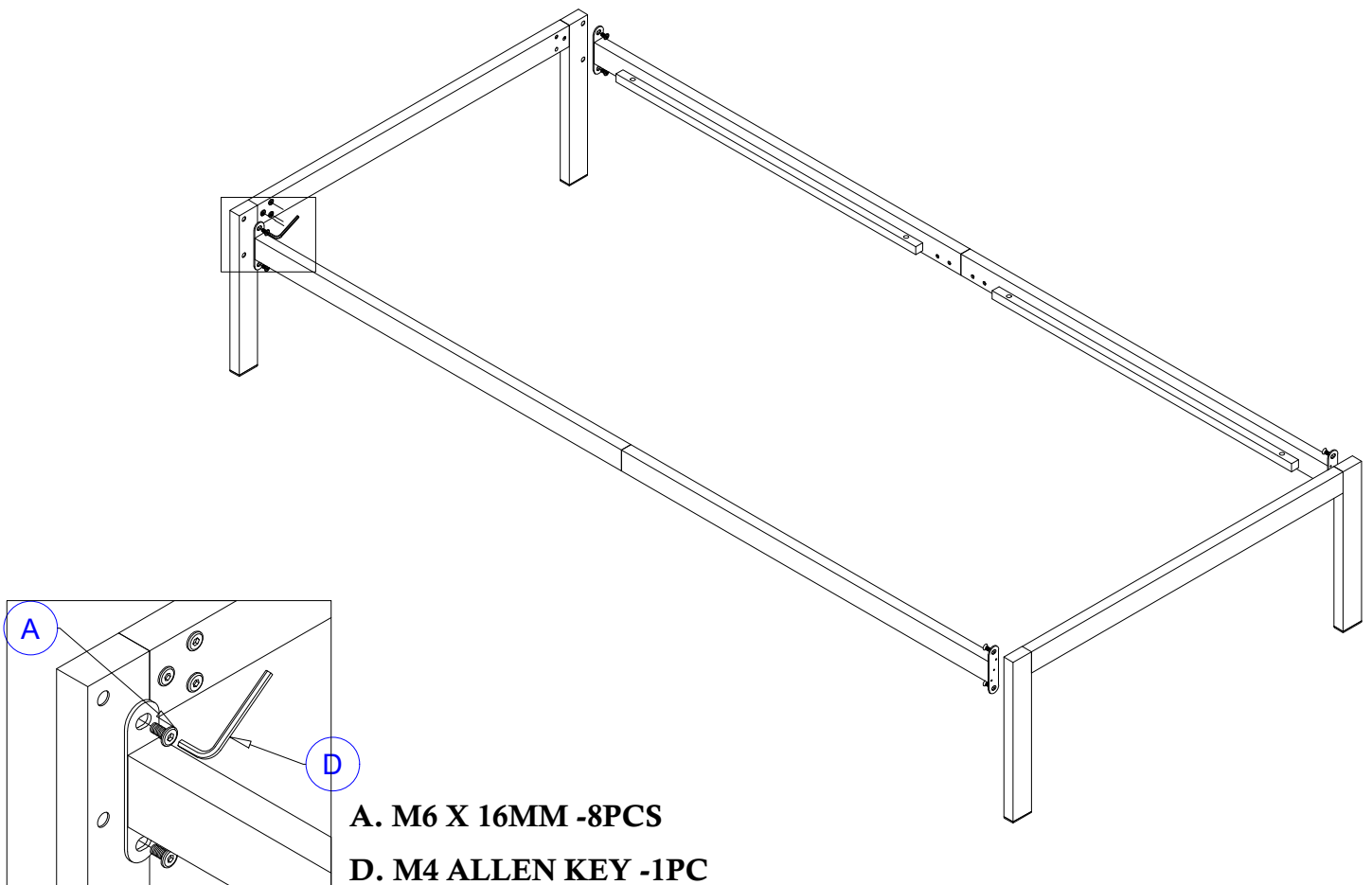


ASSEMBLY INSTRUCTION

Step 3

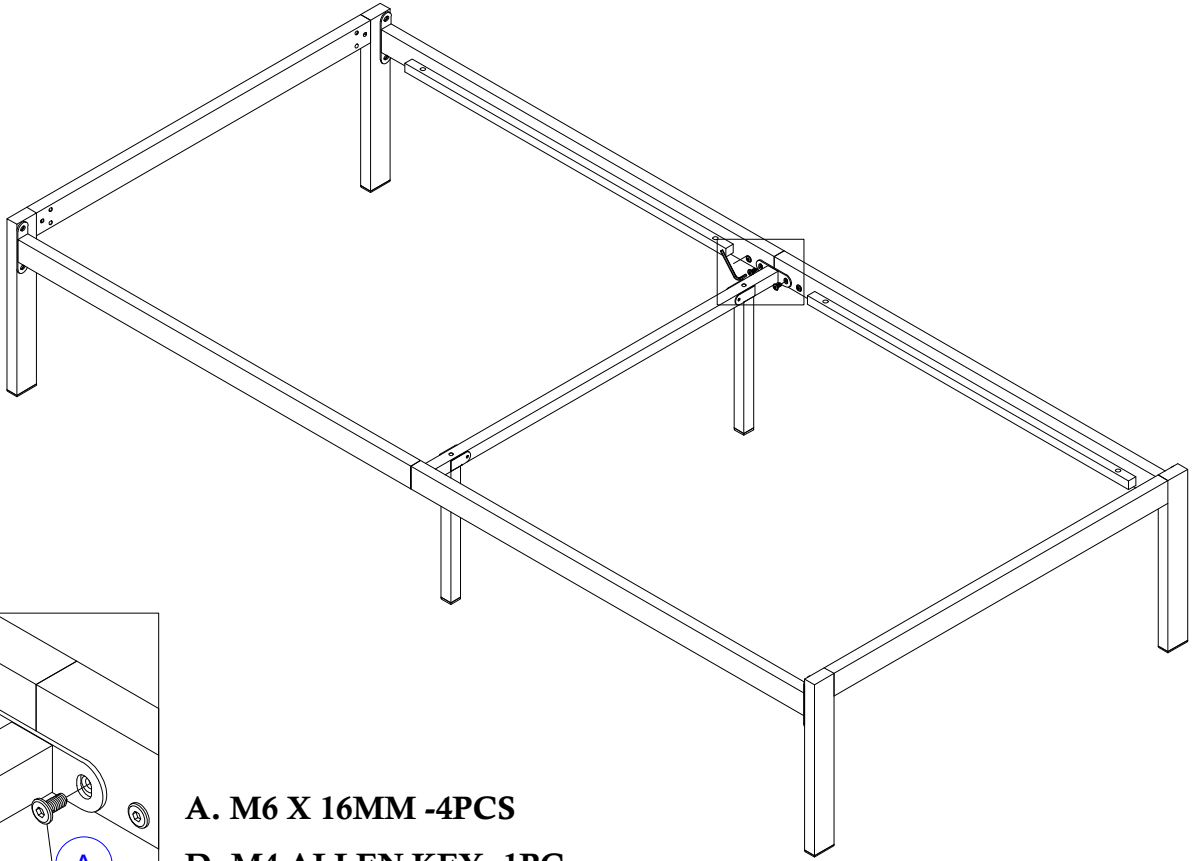


Step 4



ASSEMBLY INSTRUCTION

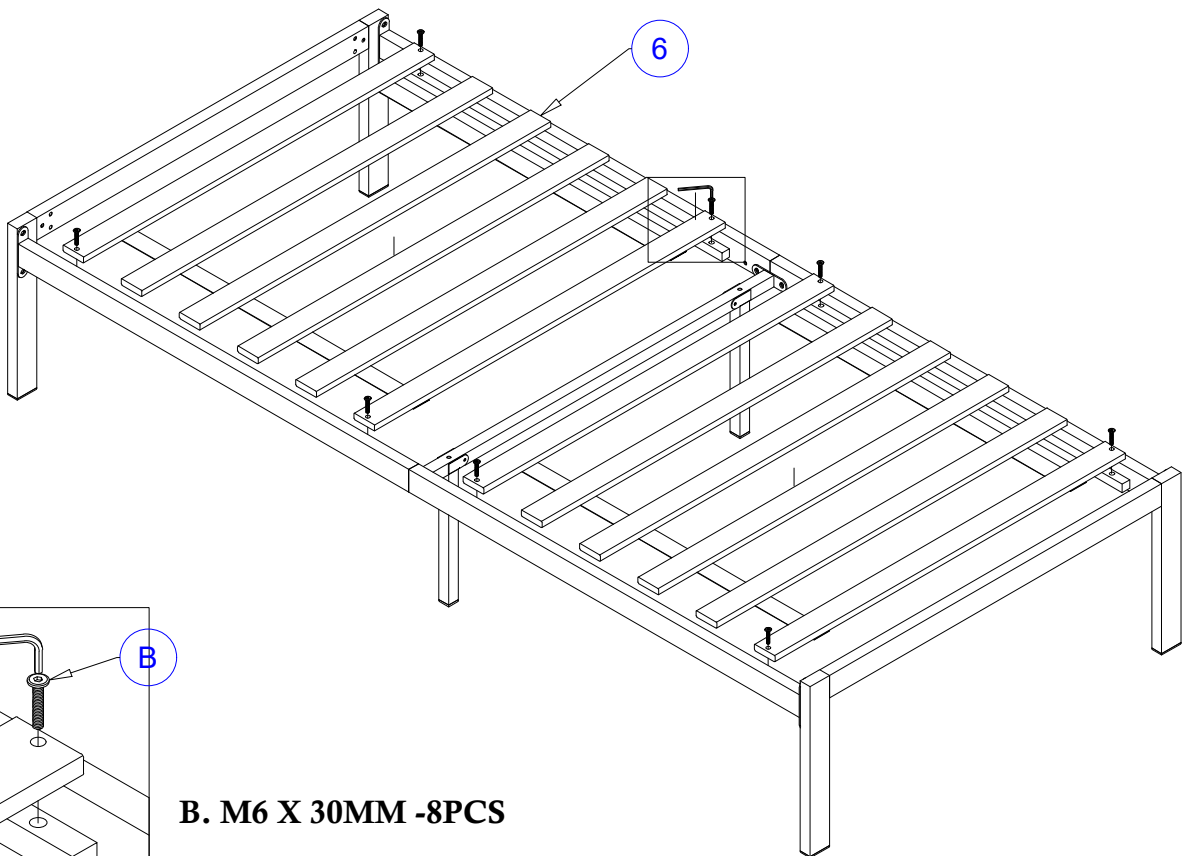
Step 5



A. M6 X 16MM -4PCS

D. M4 ALLEN KEY -1PC

Step 6



B. M6 X 30MM -8PCS

D. M4 ALLEN KEY -1PC