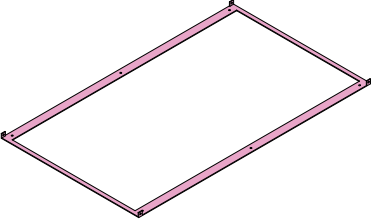
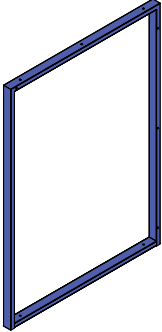
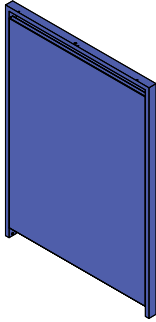
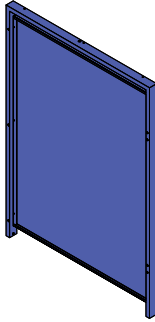
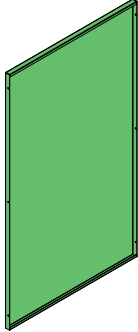
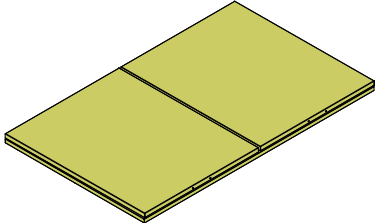
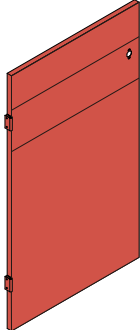
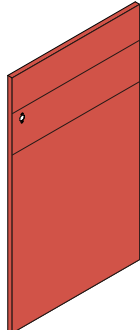
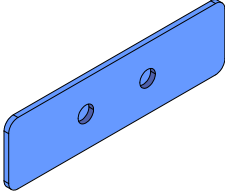
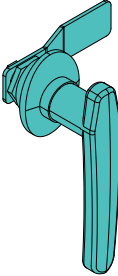
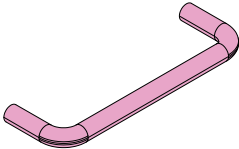
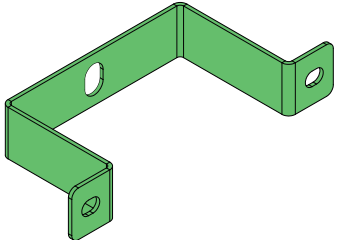

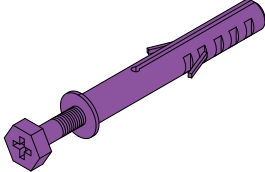
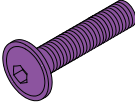
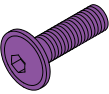

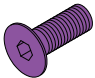

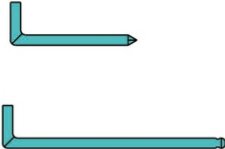
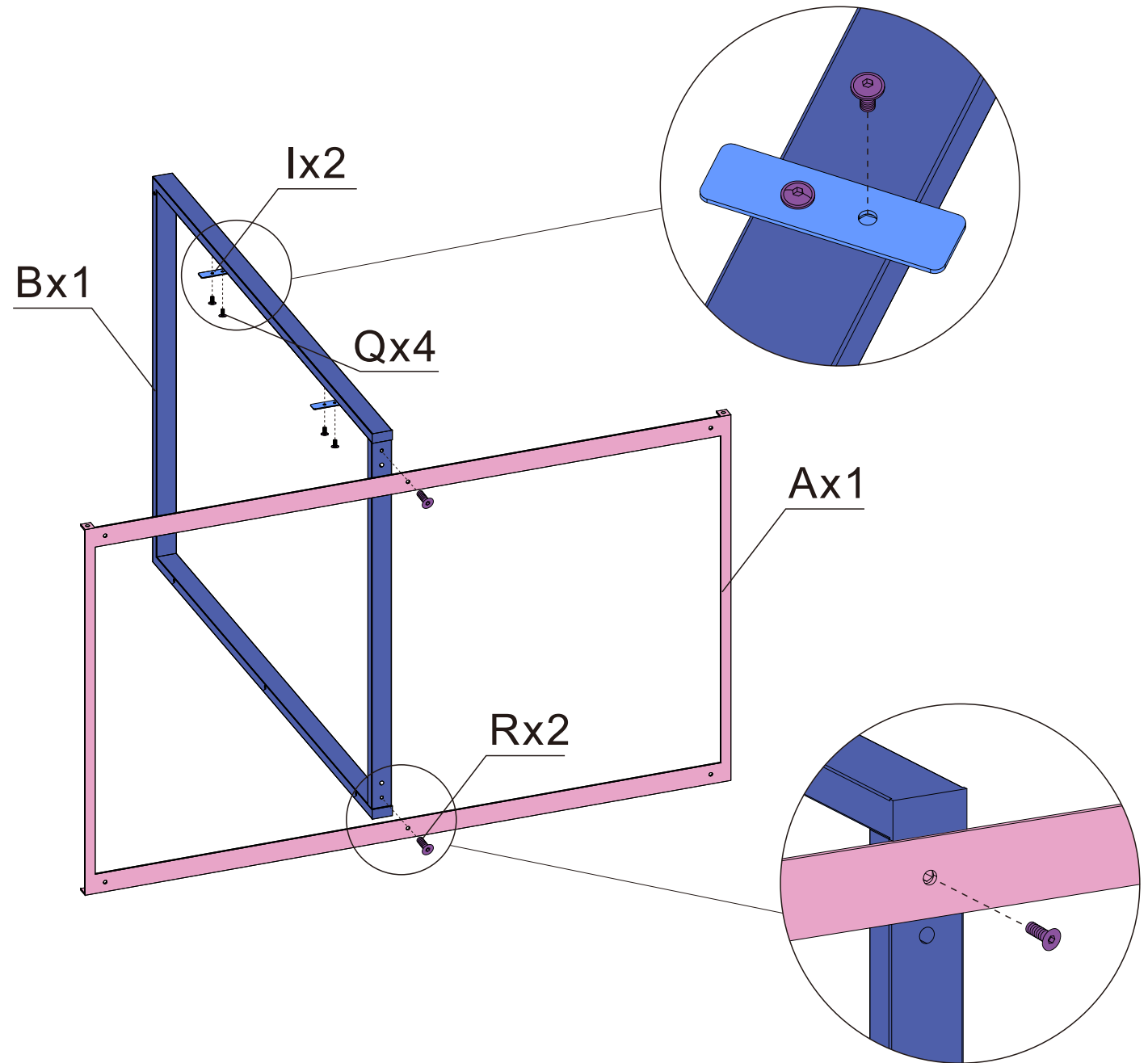
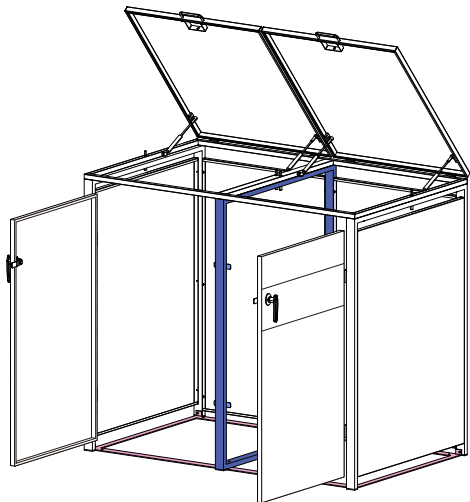
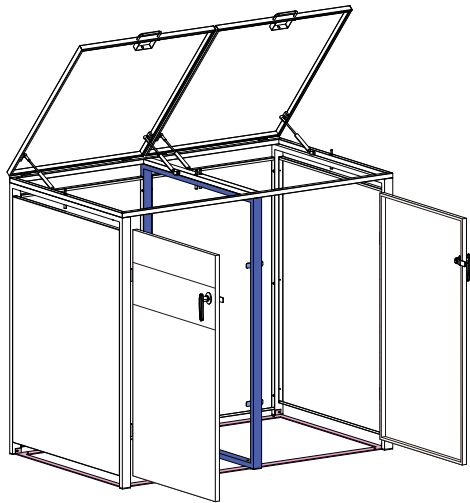
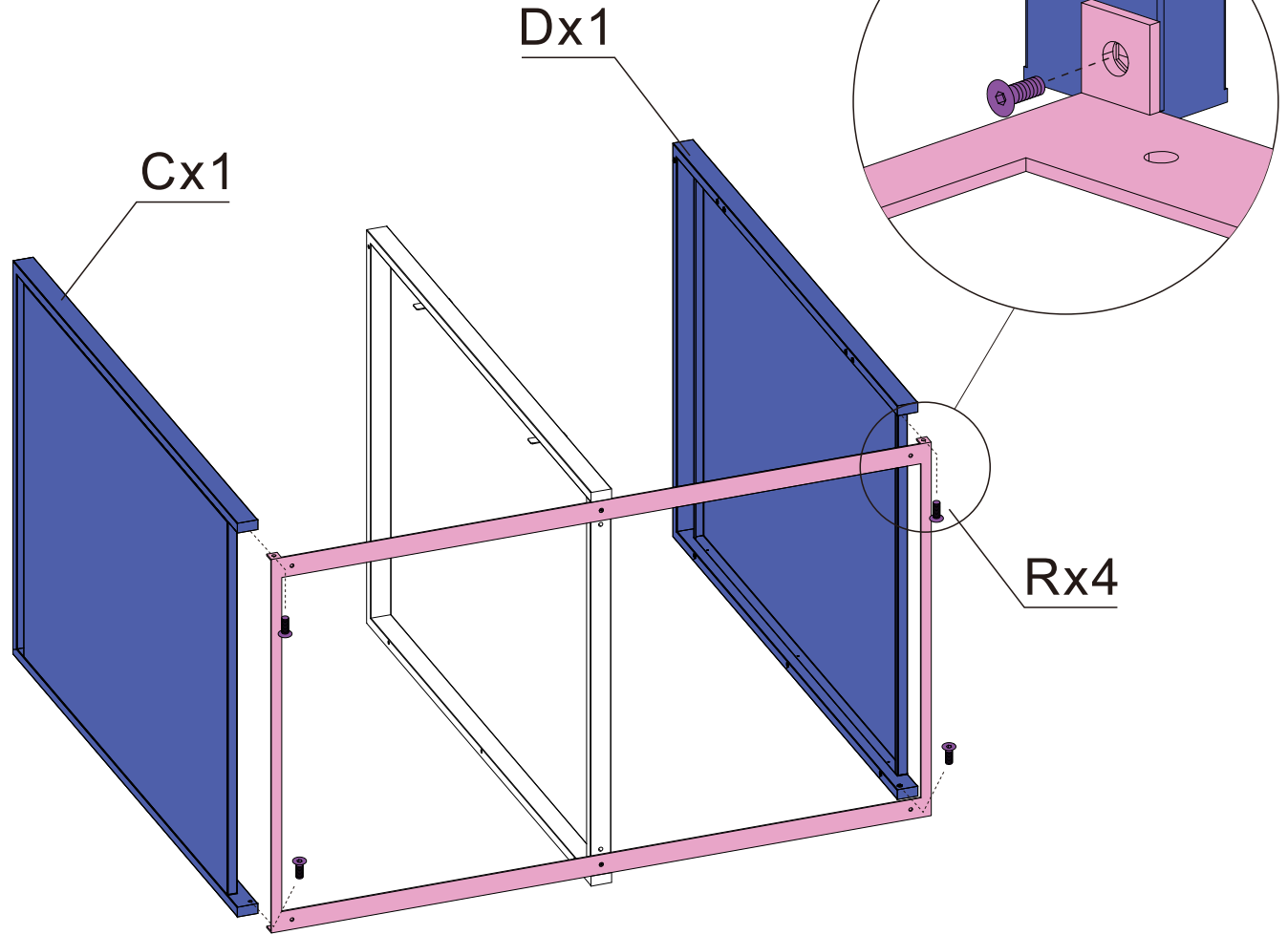
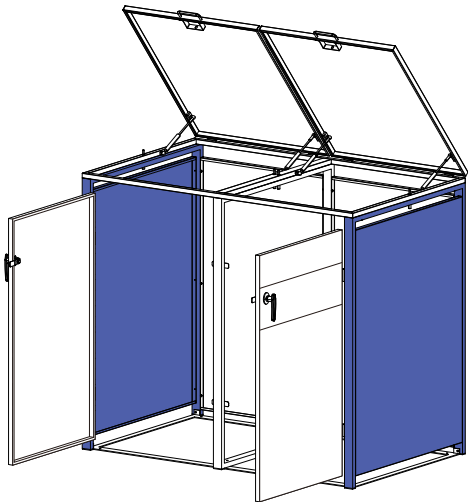
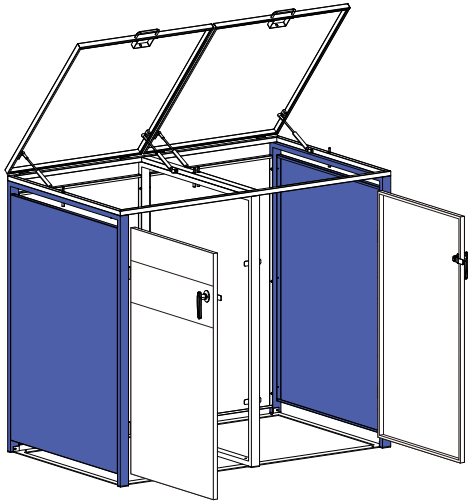


<p>Ax1</p> 	<p>Bx1</p> 	<p>Cx1</p> 	<p>Dx1</p> 	<p>Ex2</p> 
<p>Fx1</p> 	<p>Gx1</p> 	<p>Hx1</p> 	<p>Ix2</p> 	<p>Jx2</p> 
<p>Kx2</p> 	<p>Lx2</p> 	<p>Mx4</p> 	<p>Nx6</p> 	<p>Ox9</p>  <p>M4x30mm</p>
<p>Px4</p>  <p>M4x20mm</p>	<p>Qx24</p>  <p>M4x8mm</p>	<p>Rx6</p>  <p>M4x14mm</p>	<p>Sx2</p> 	<p>Tx1</p> 

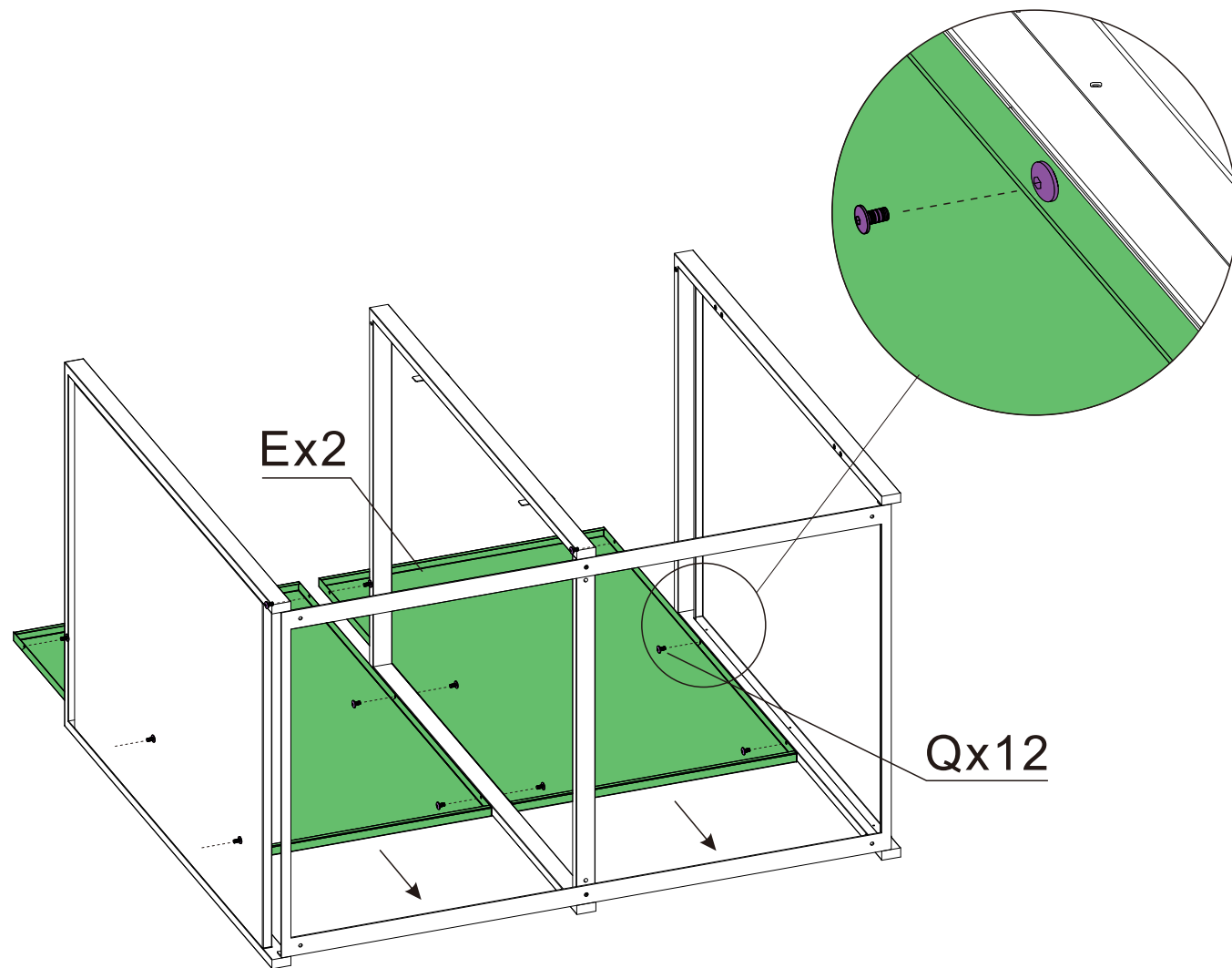
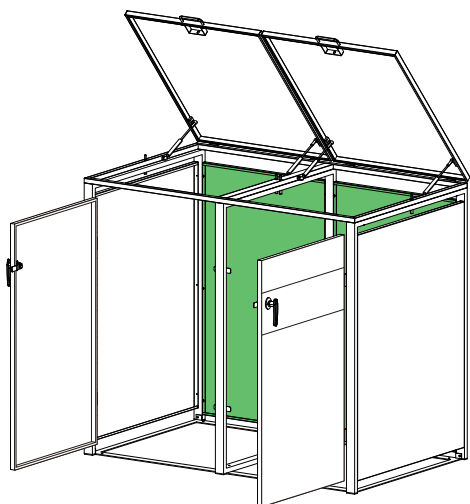
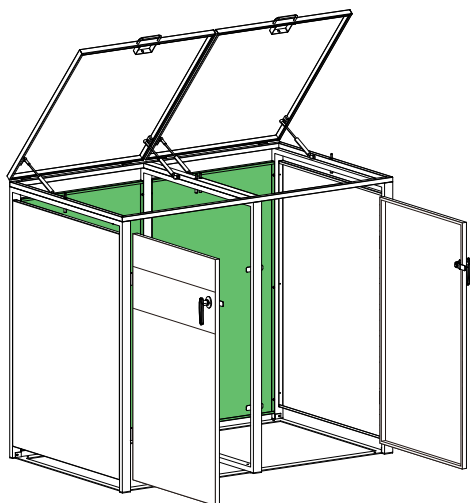
STEP 1



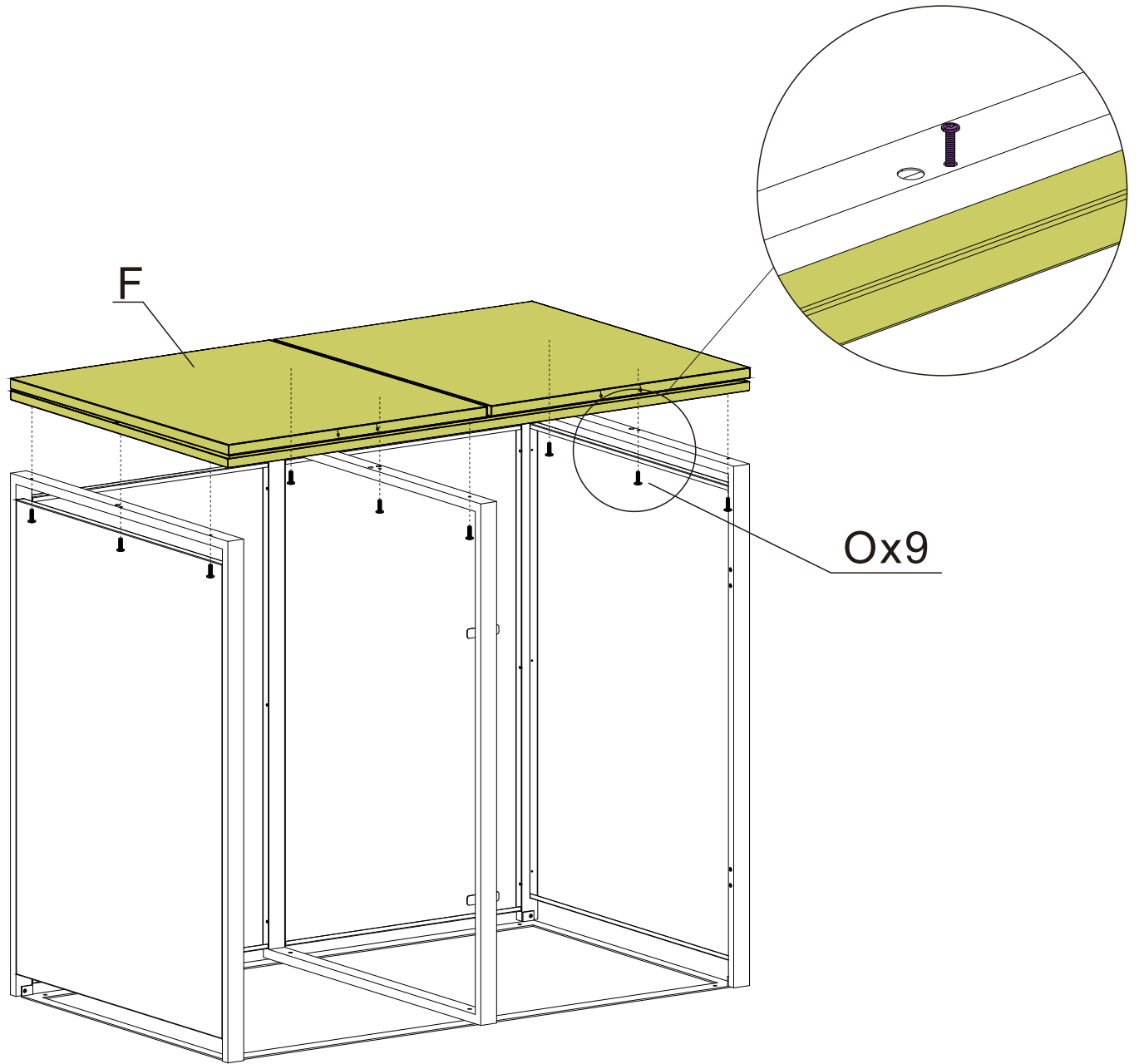
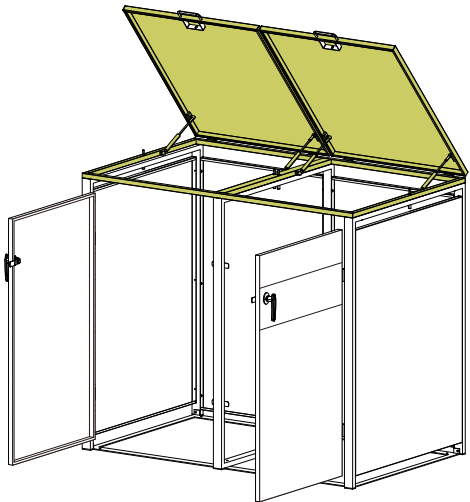
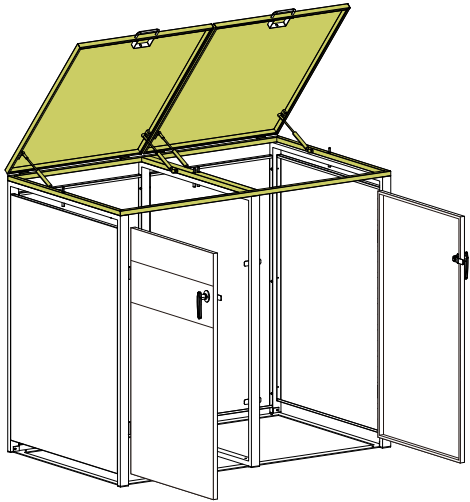
STEP 2



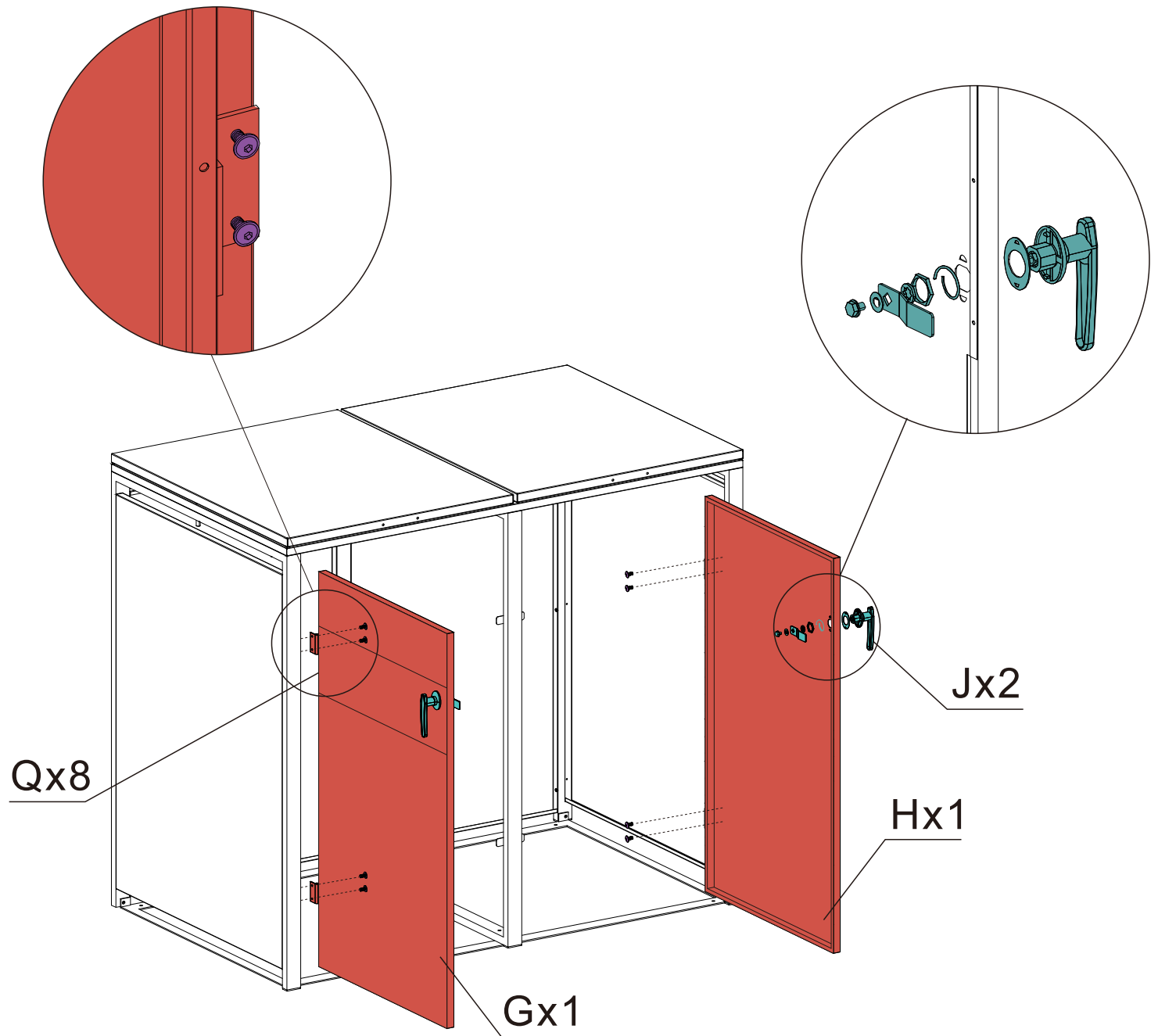
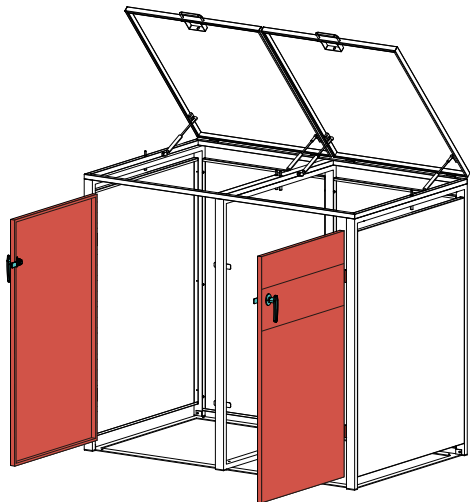
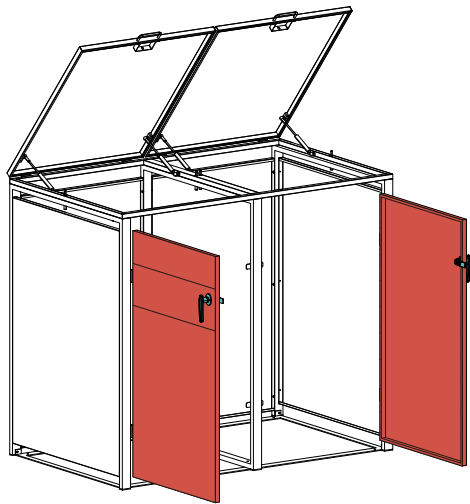
STEP 3



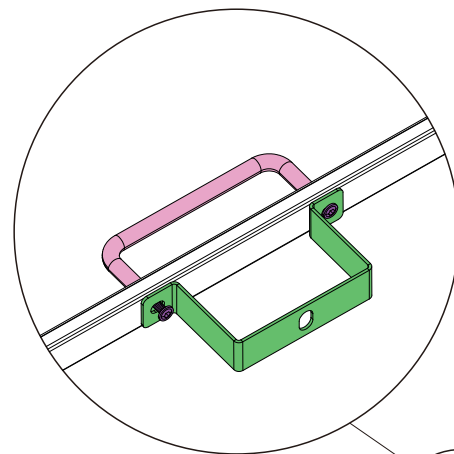
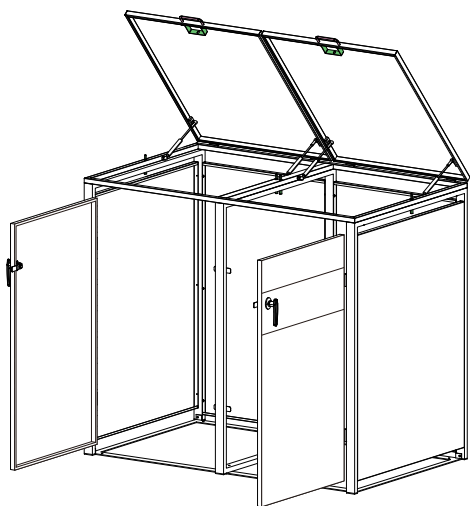
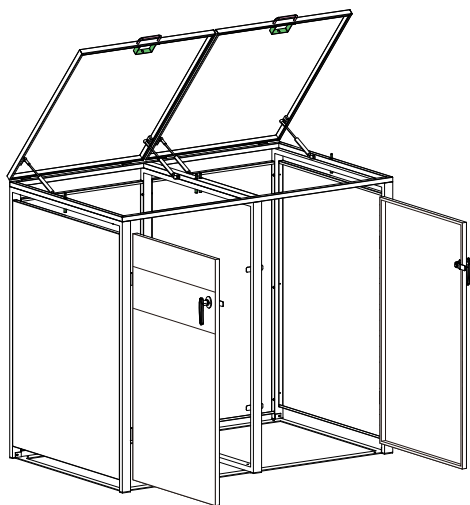
STEP 4



STEP 5



STEP 6

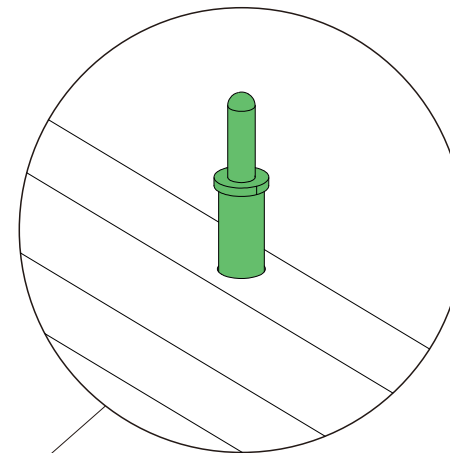
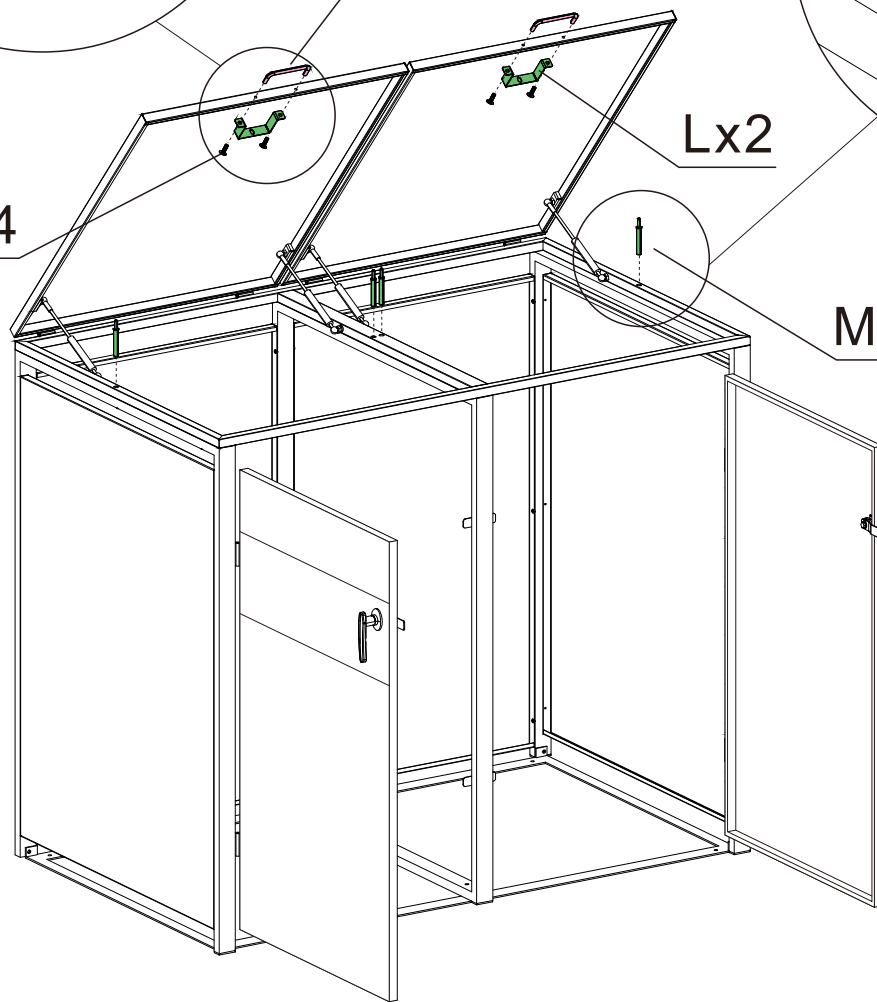


Kx2

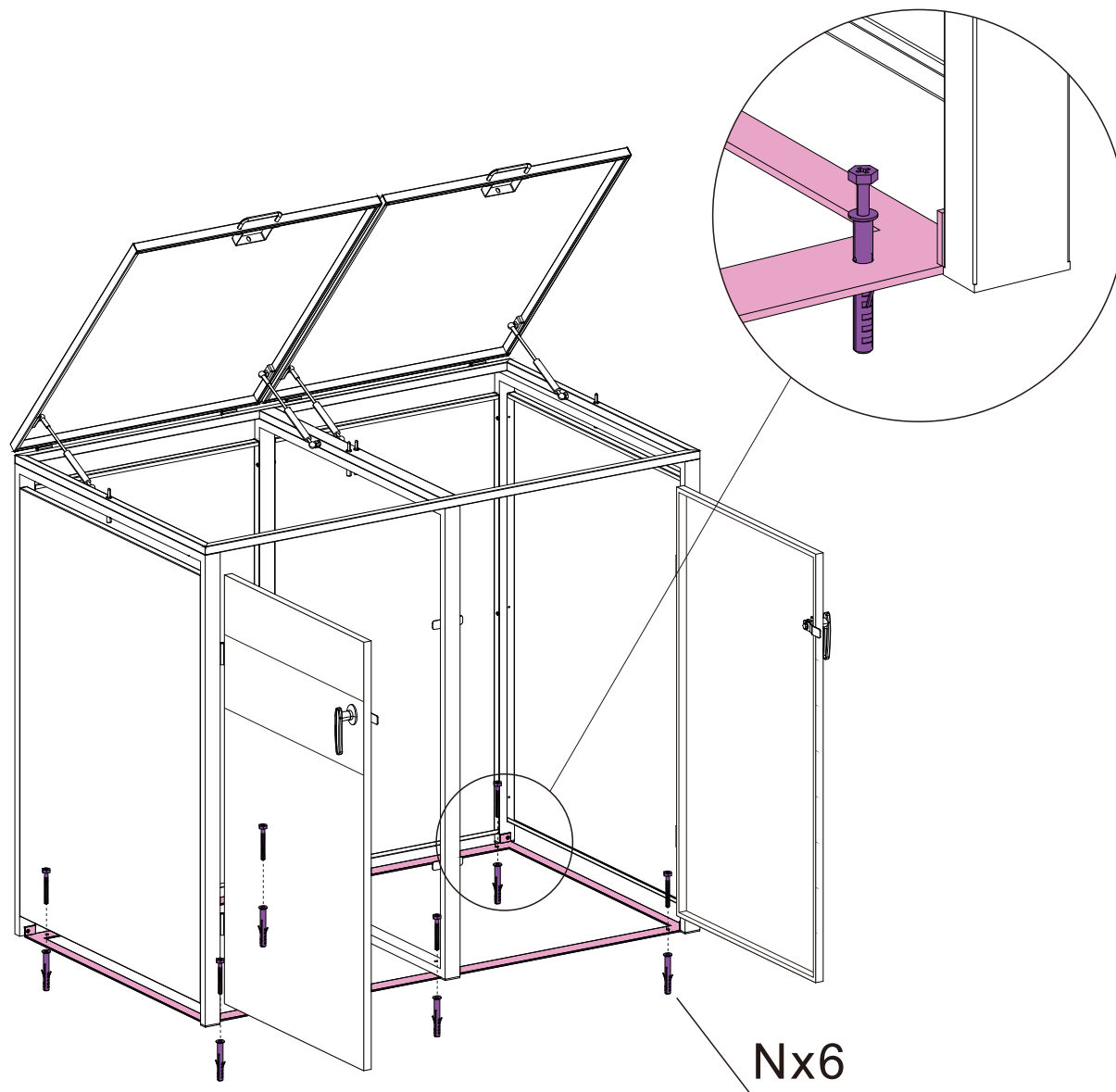
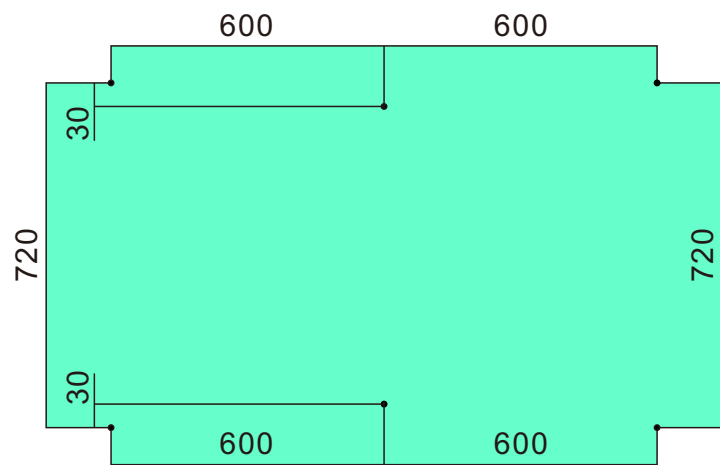
Lx2

Px4

Mx6



STEP 7



STEP 8

