
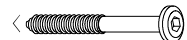



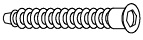

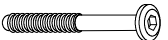
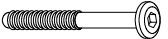
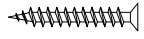


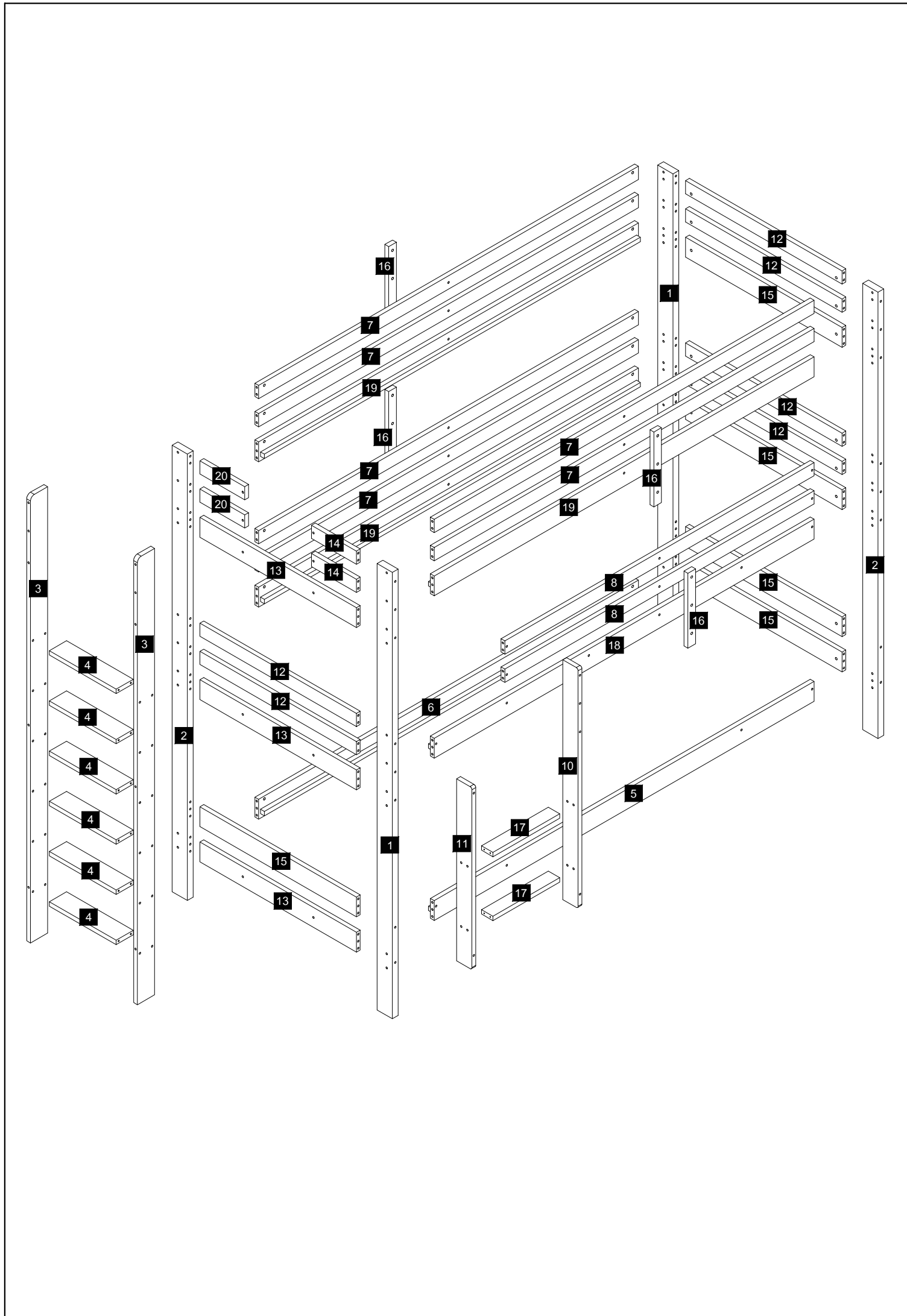
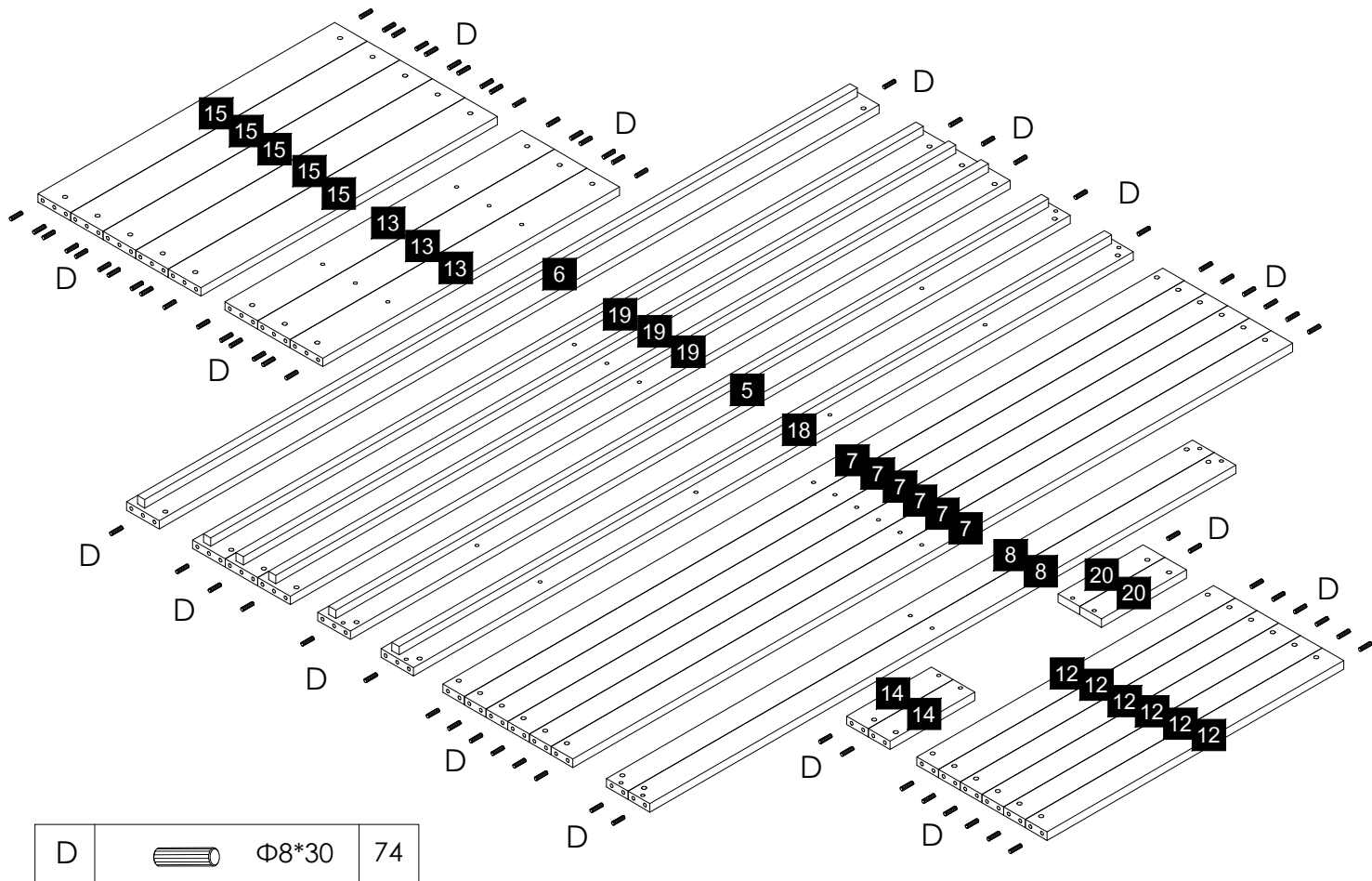


A		M6*120	32
B		M6*70	38
C			70
D		Φ8*30	74
E		M6*30	12
F		Φ7*50	32

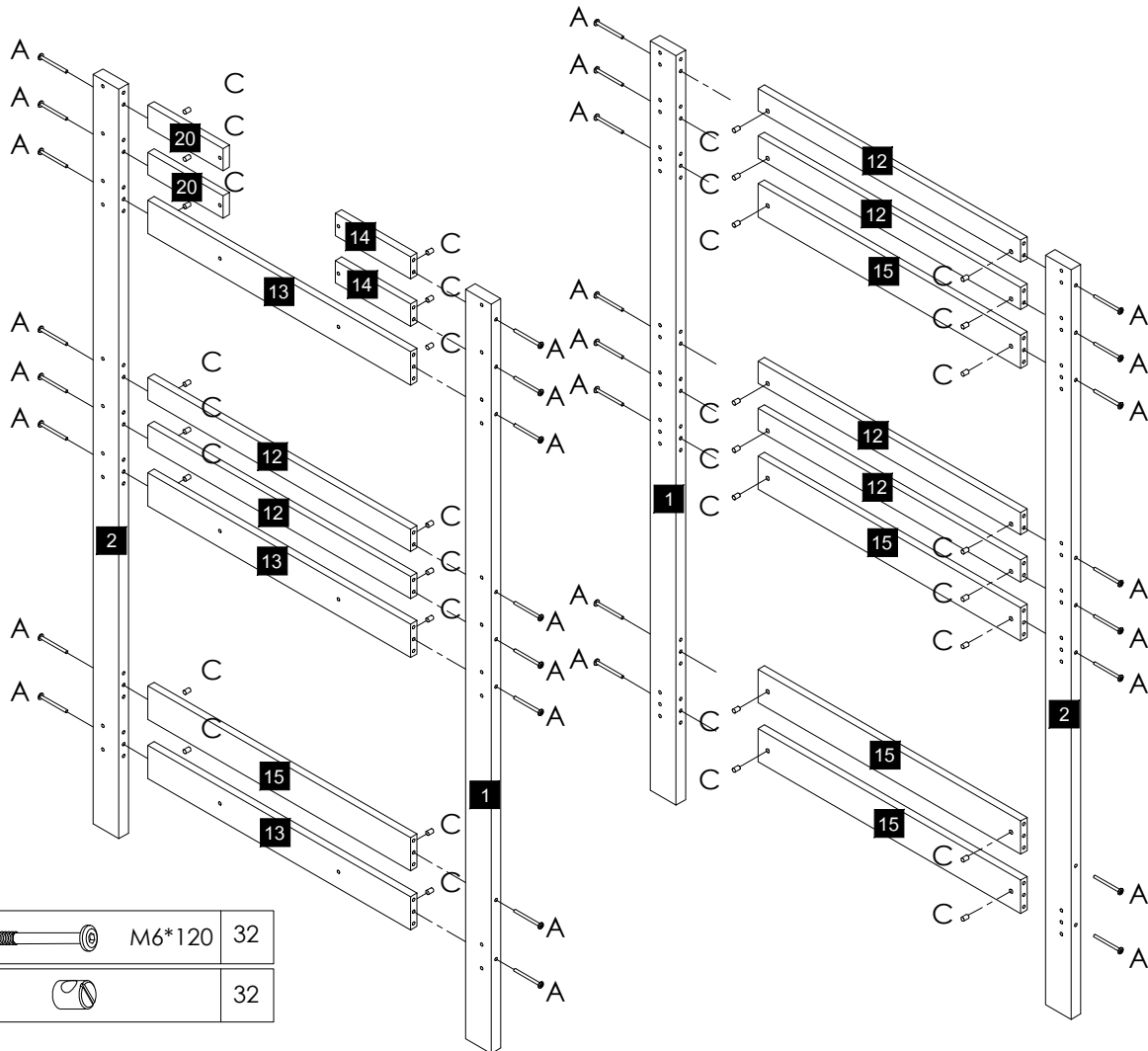
G		M6	28
H		M6*100	10
J		M6*90	6
K		4*30	96
L		4 mm	1
M			2



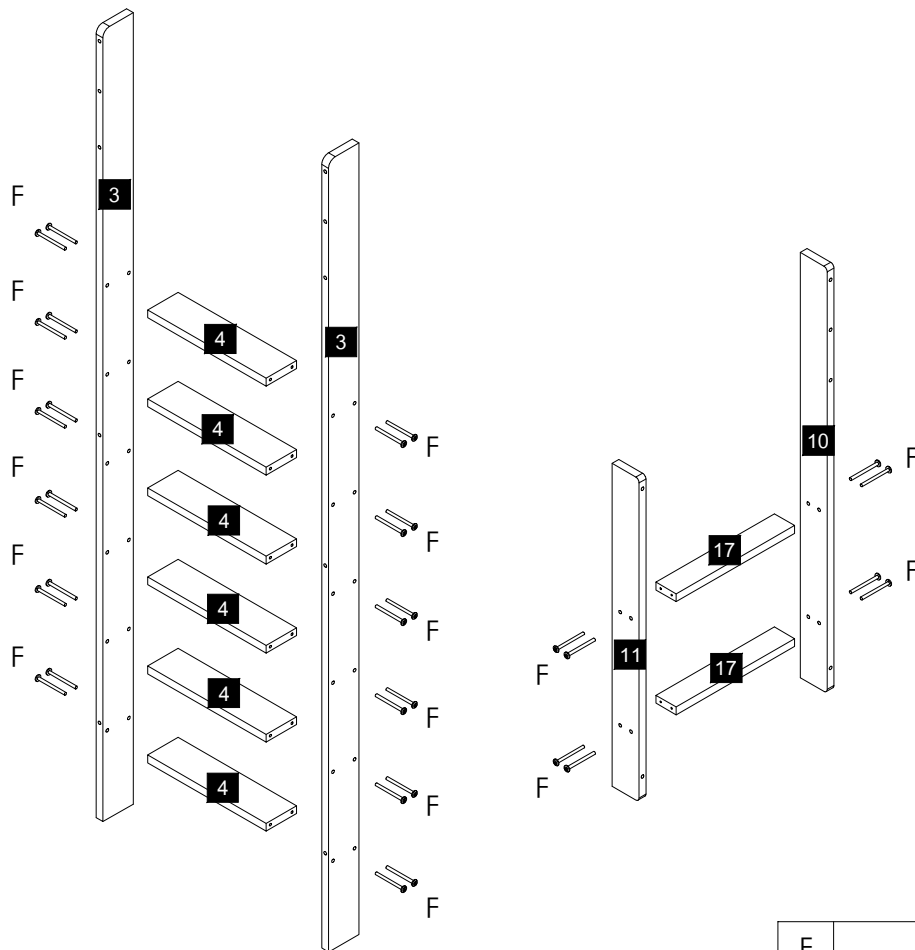
STEP:1




STEP:2

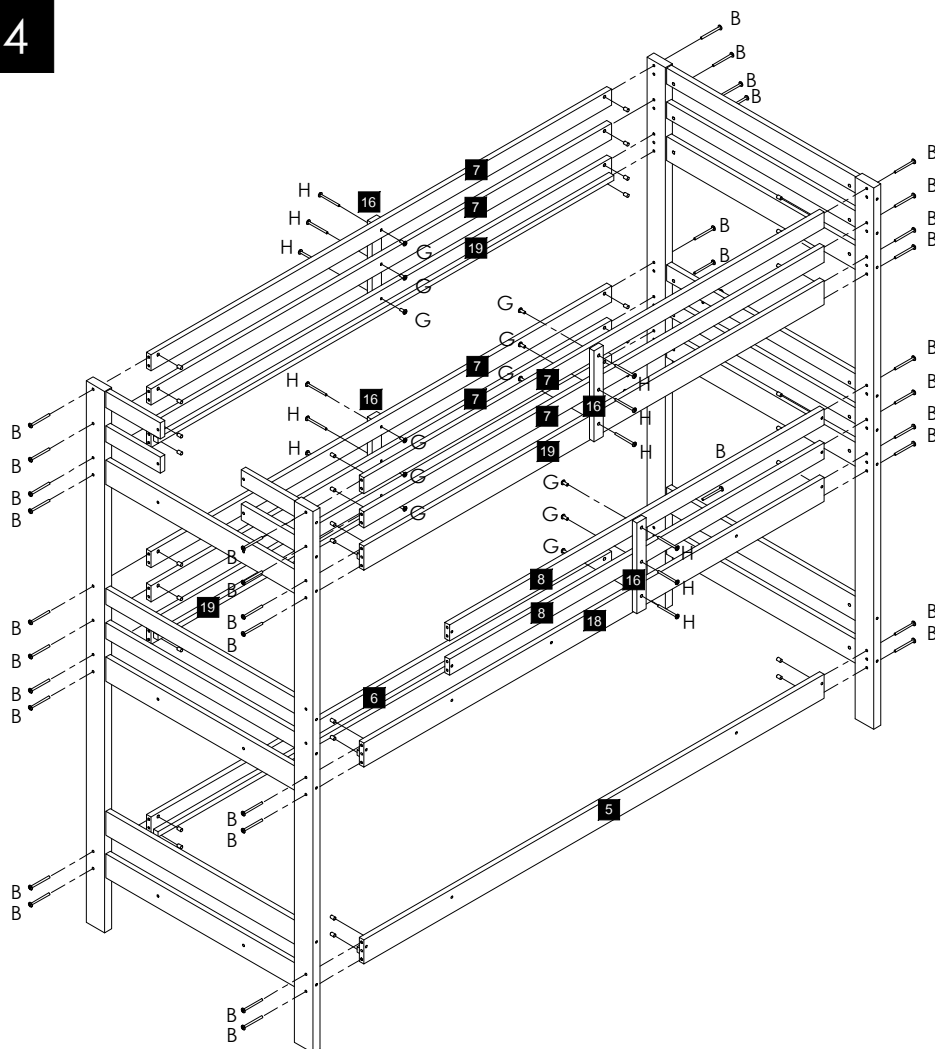



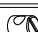


STEP:3



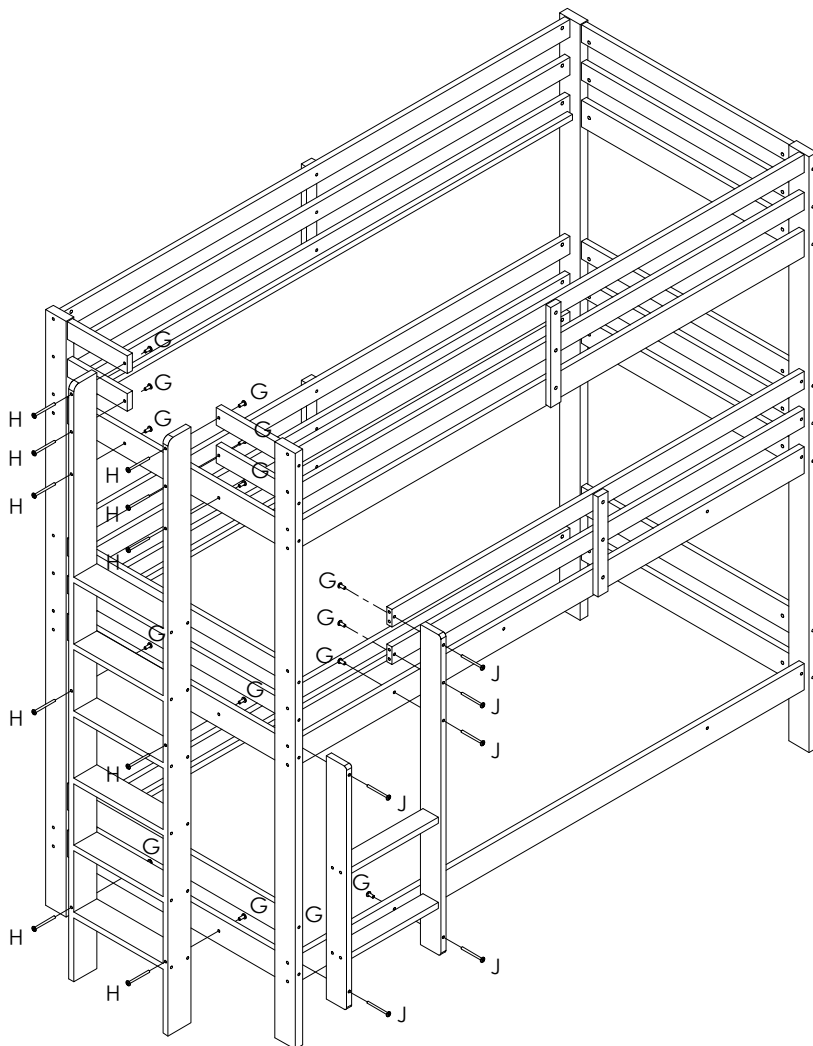
F		Φ7*50	32
---	---	-------	----




STEP:4



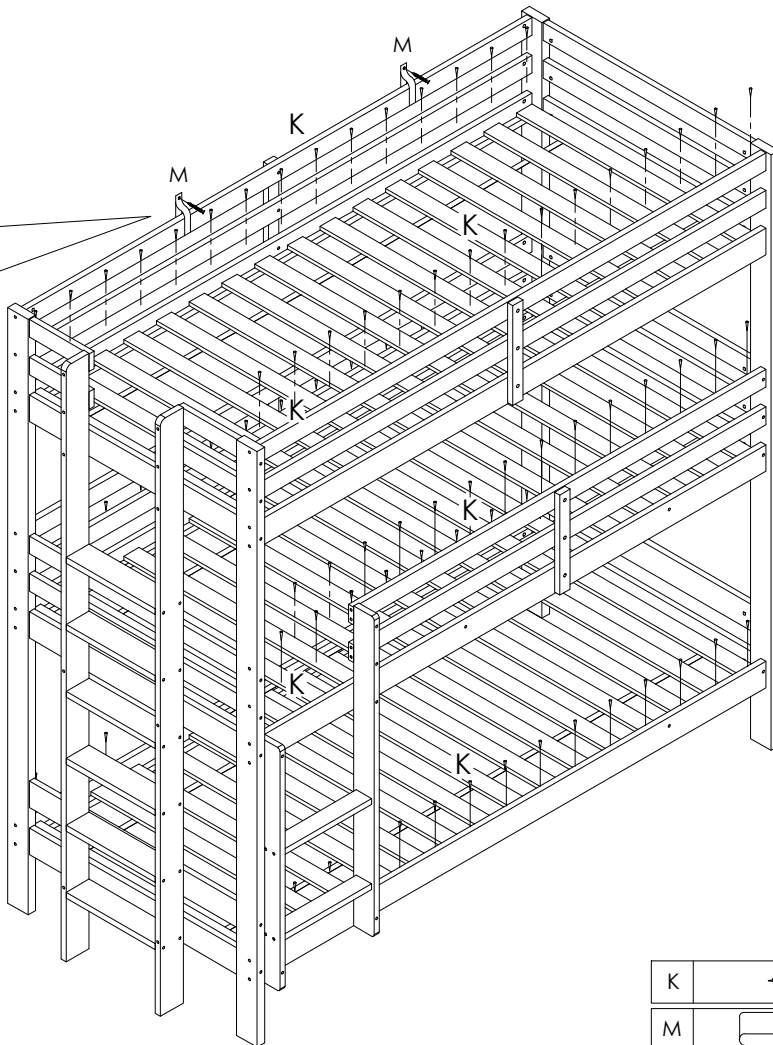
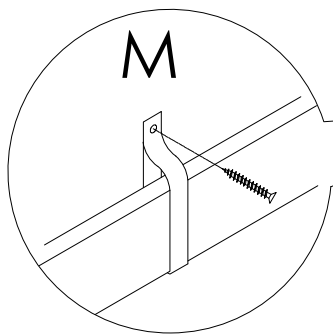
B		M6*70	38
C			38
E		M6*30	12
G		M6	12

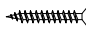

STEP:5

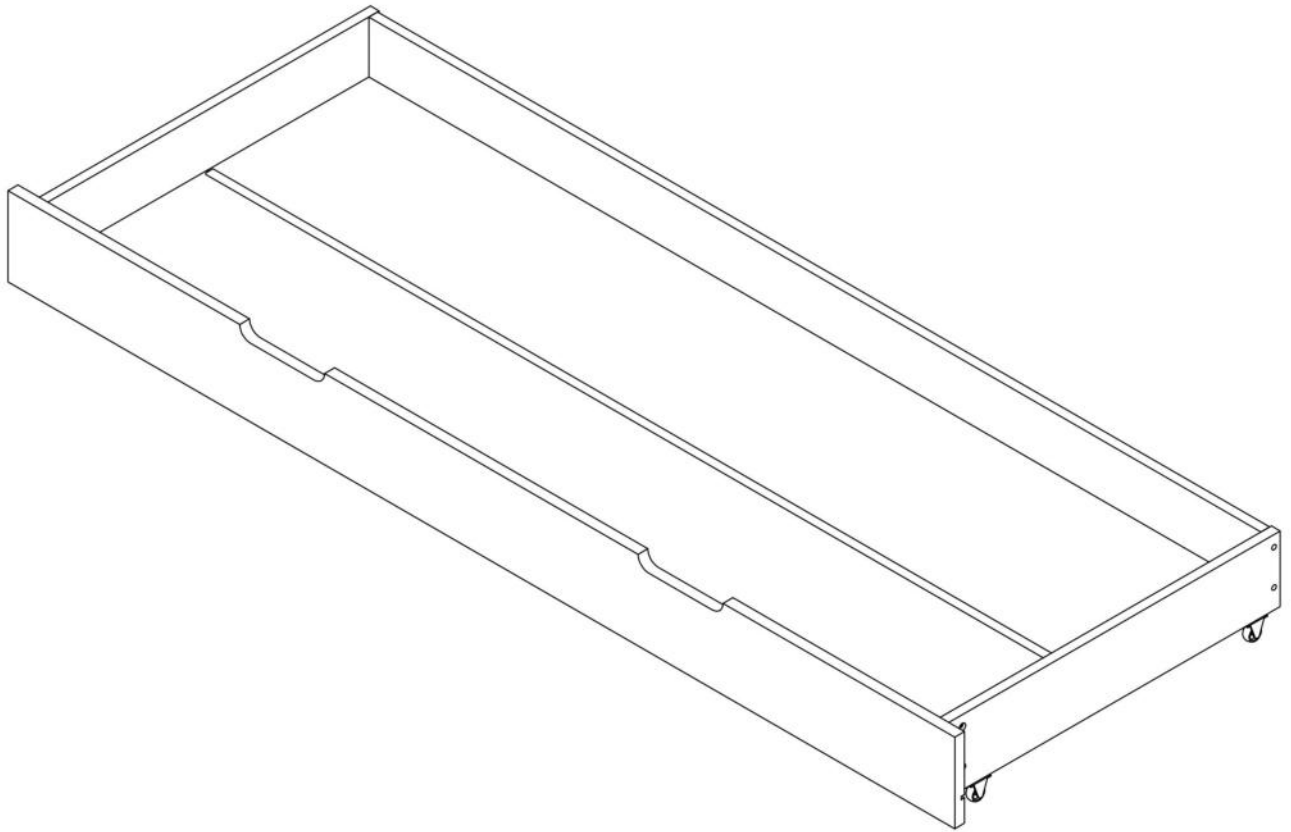










G		M6	16
H		M6*100	10
J		M6*90	6

STEP:6

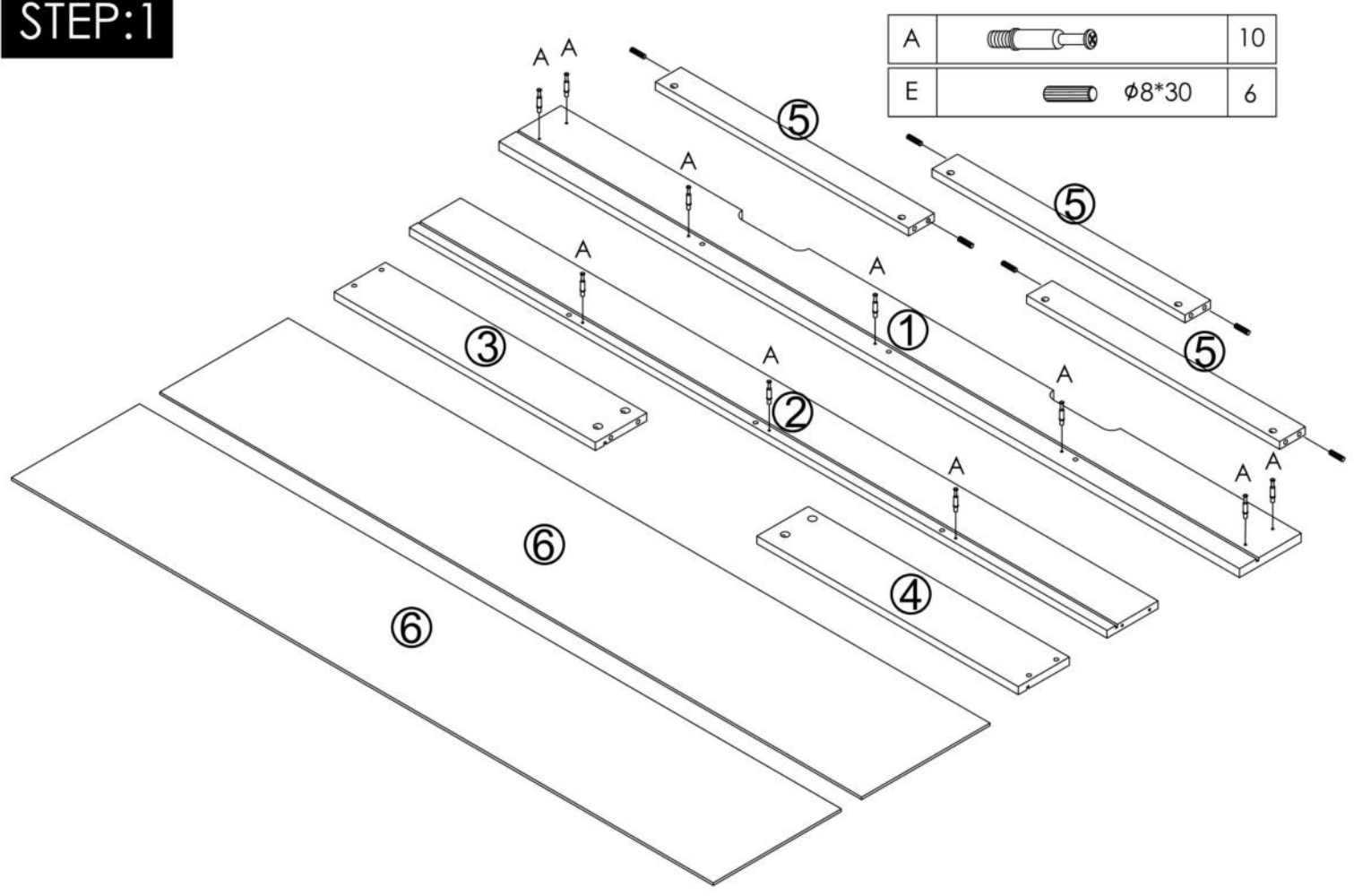


K		4*30	96
M			2

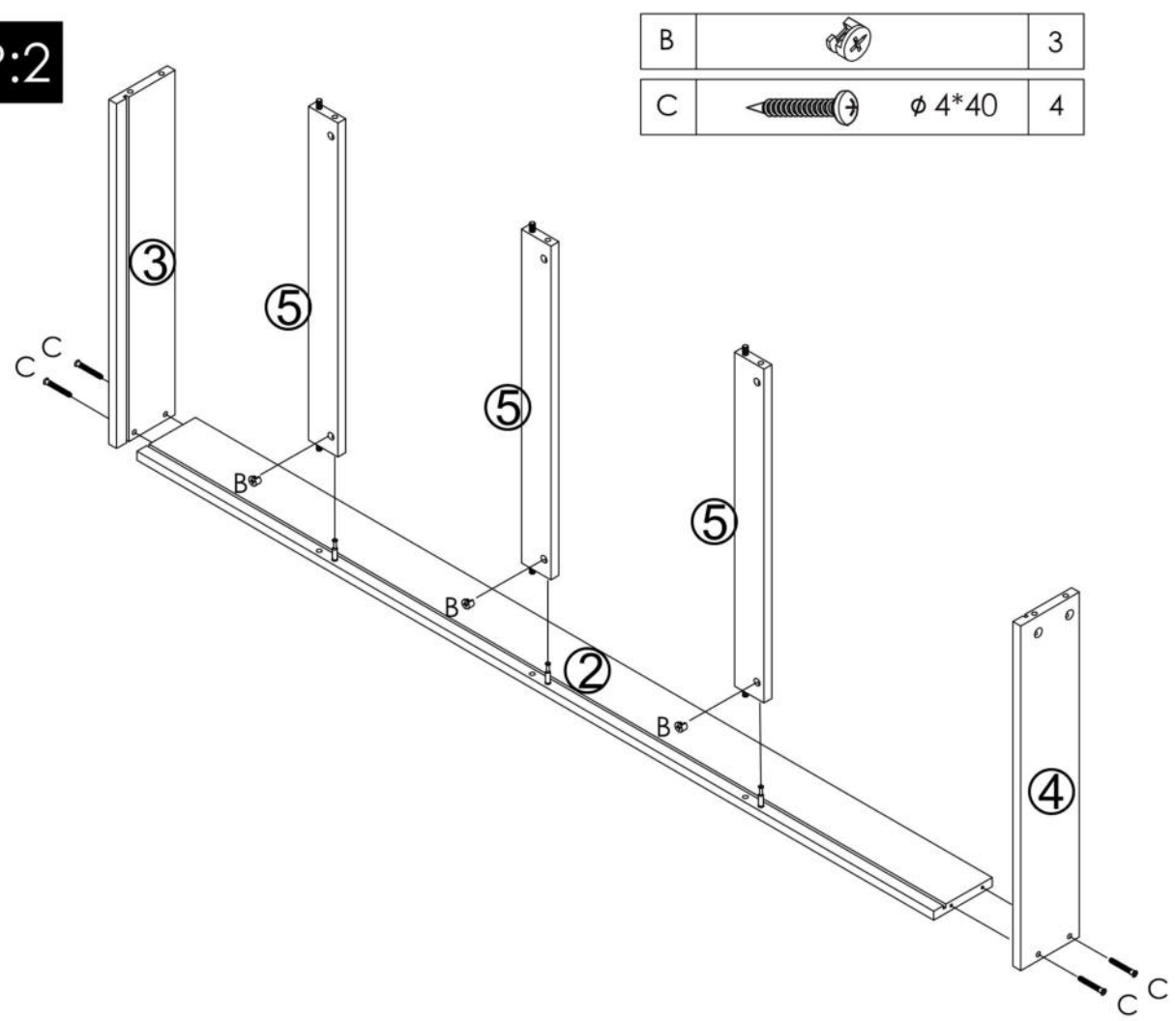


A		10
B		10
C	 $\phi 4*40$	4
D		4
E	 $\phi 8*30$	6
F	 $3.5*16$	8
G	 1850 mm	1
H		1

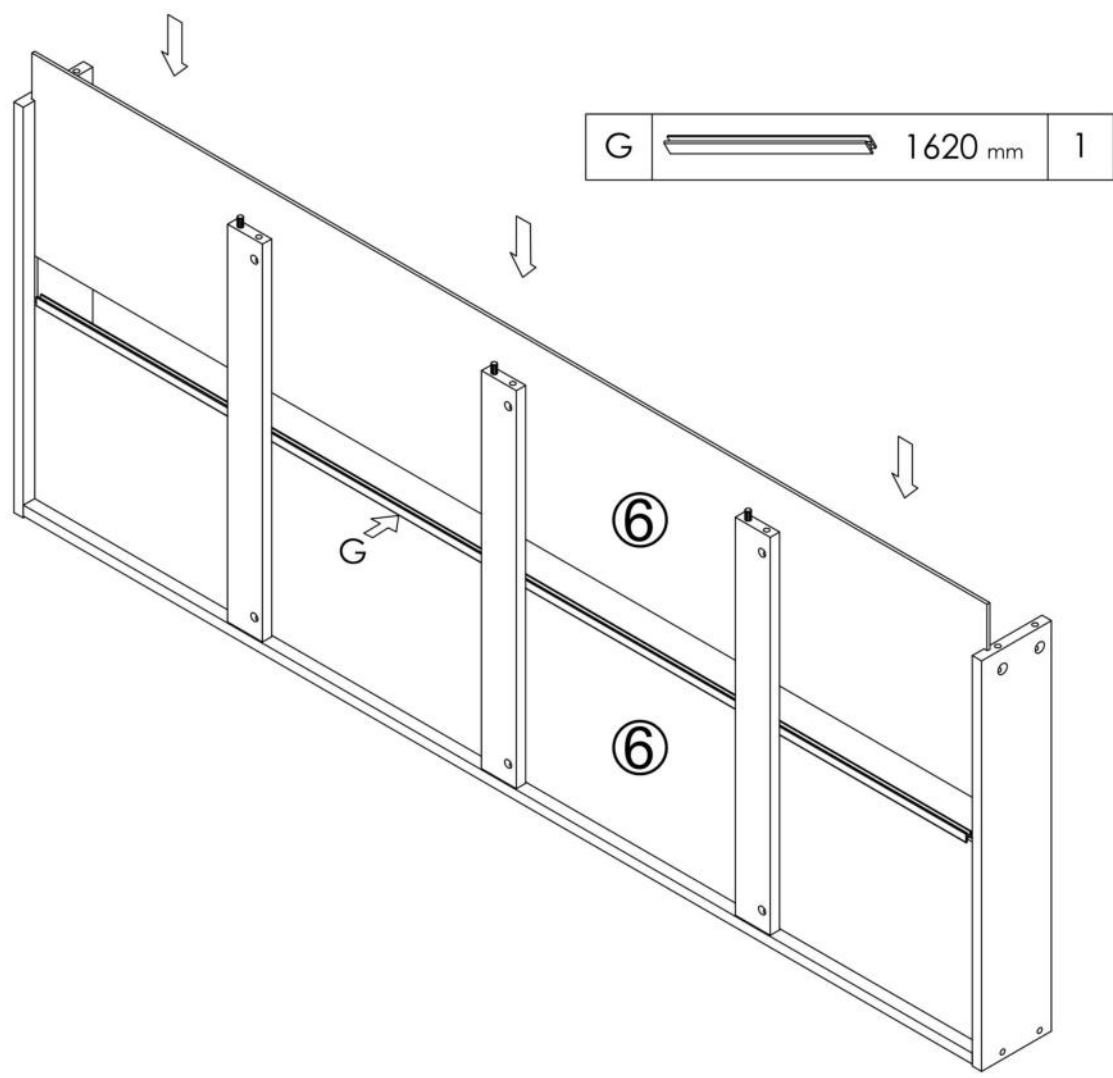
STEP:1



STEP:2



STEP:3



STEP:4

