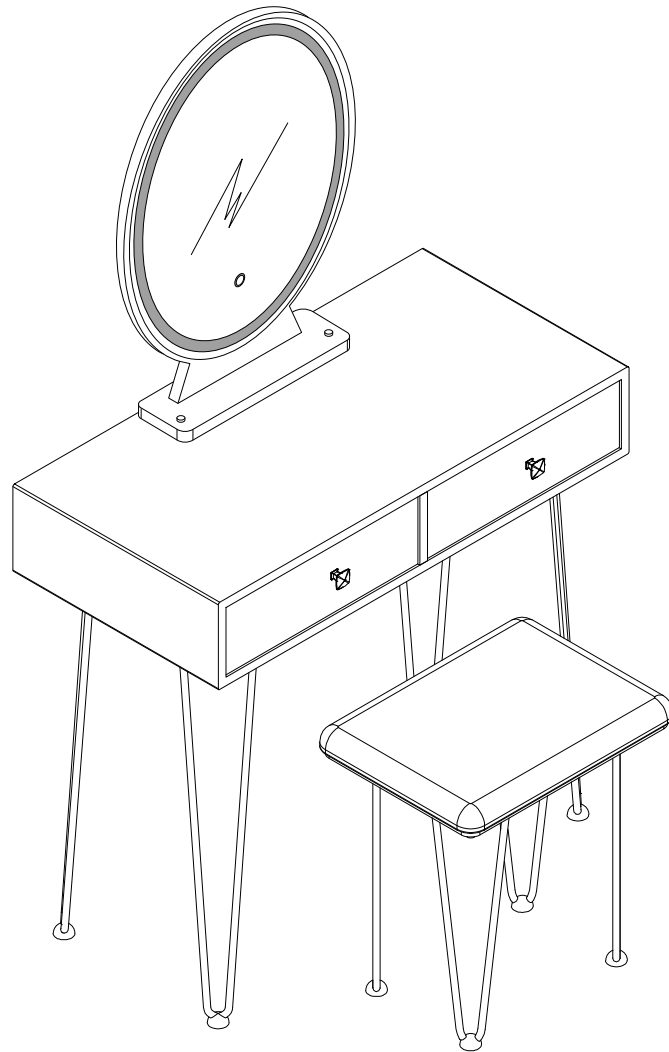


# CAEN



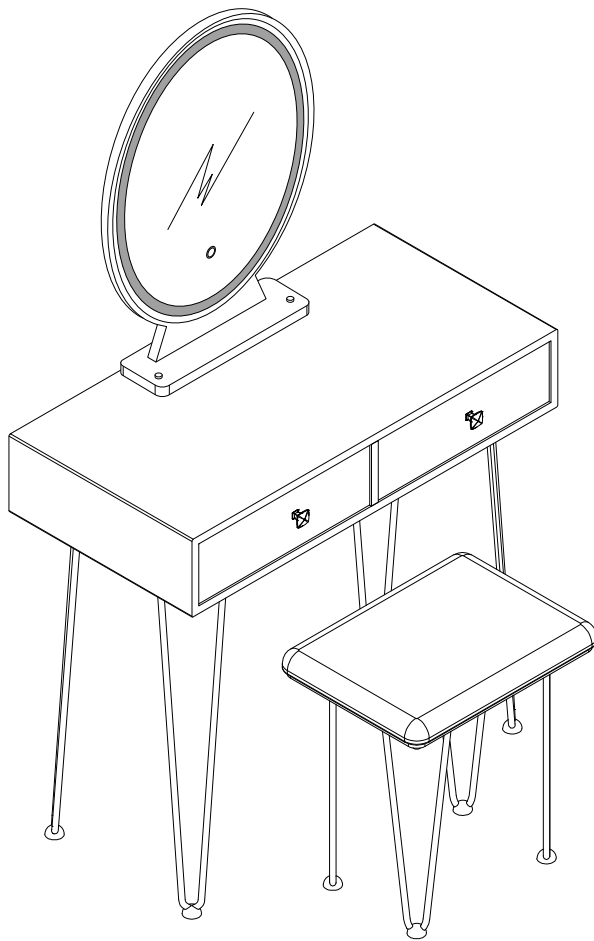
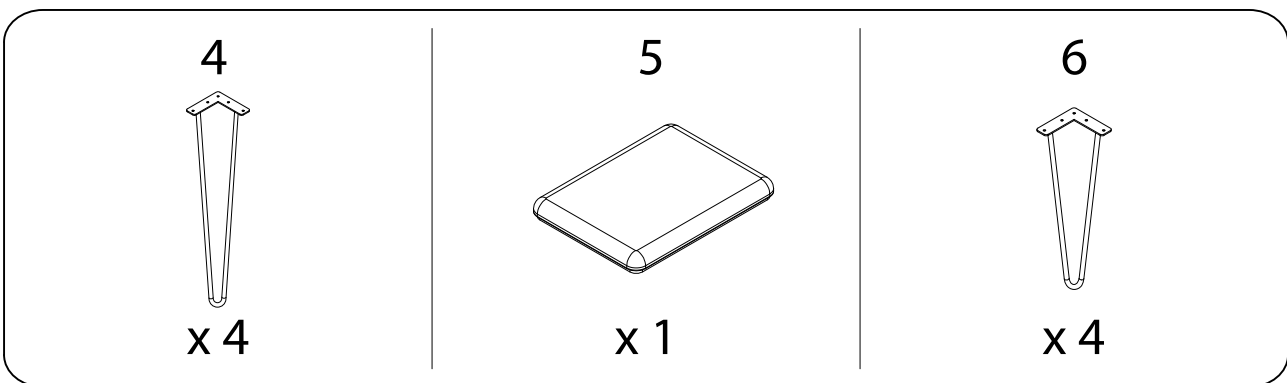
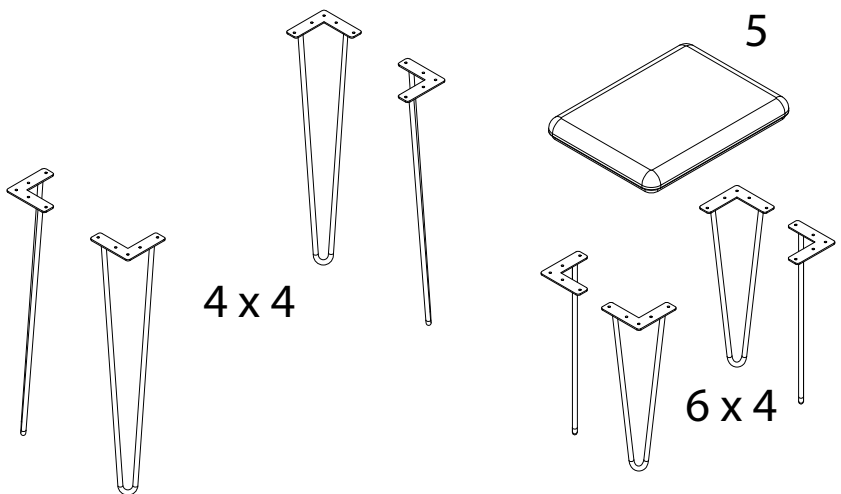
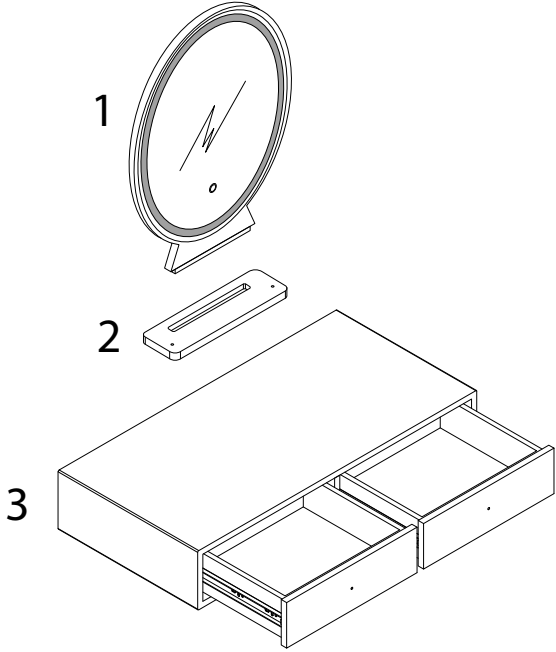
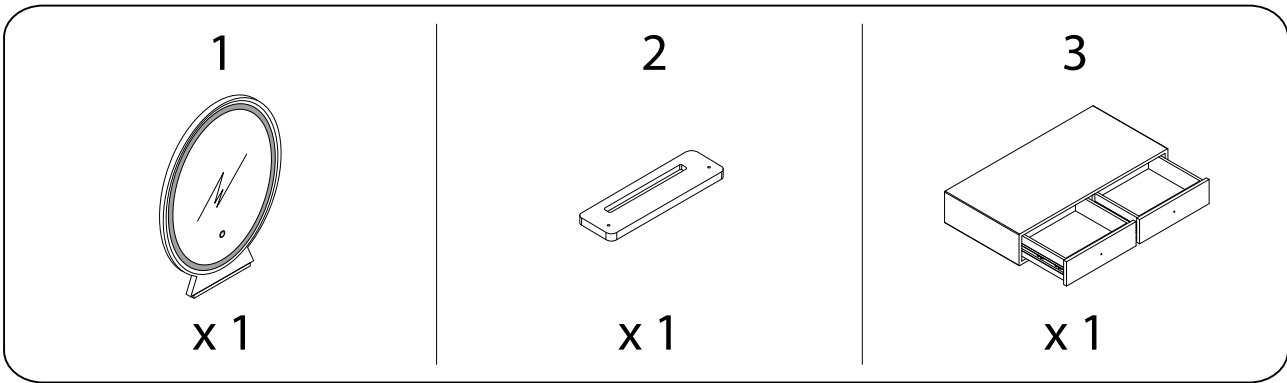
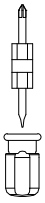
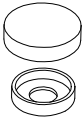
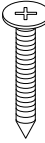
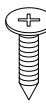
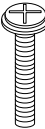
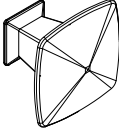
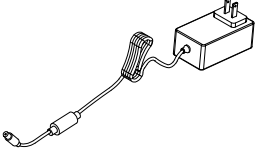



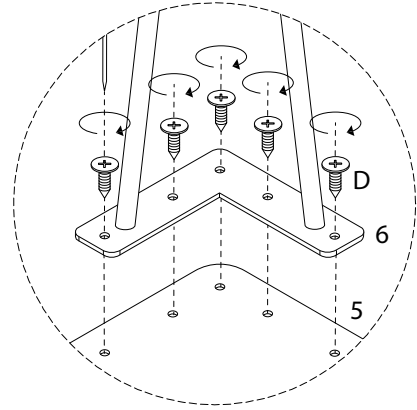
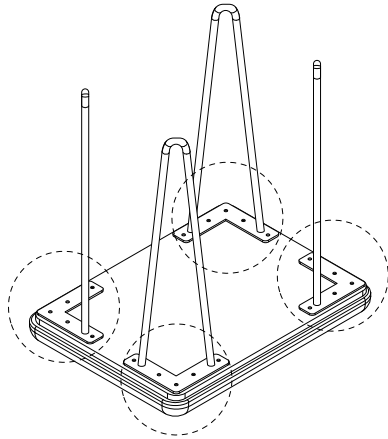
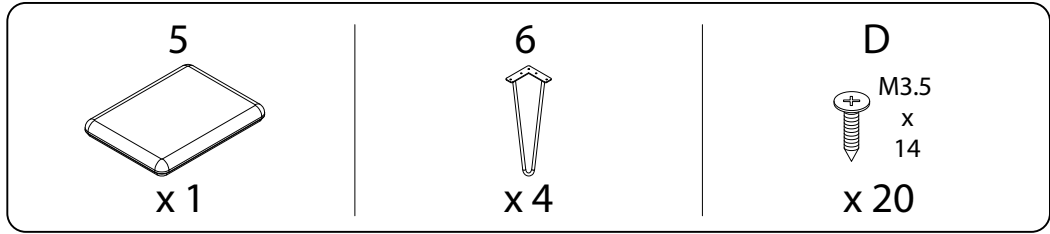
Diagram illustrating assembly steps and safety warnings:

- Step 1:** Shows a screwdriver and a power drill. A warning triangle with an exclamation mark is positioned to the right.
- Step 2:** Shows a rectangular block being placed on a surface. A warning triangle with an exclamation mark is positioned to the right.
- Time:** A clock icon is shown with the text "30'" below it, indicating the estimated assembly time.
- Personnel:** A person icon is shown with the number "2" below it, indicating the number of people required for assembly.

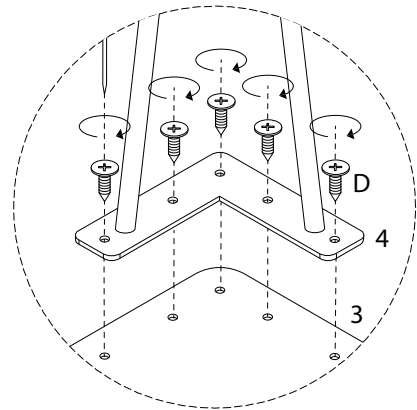
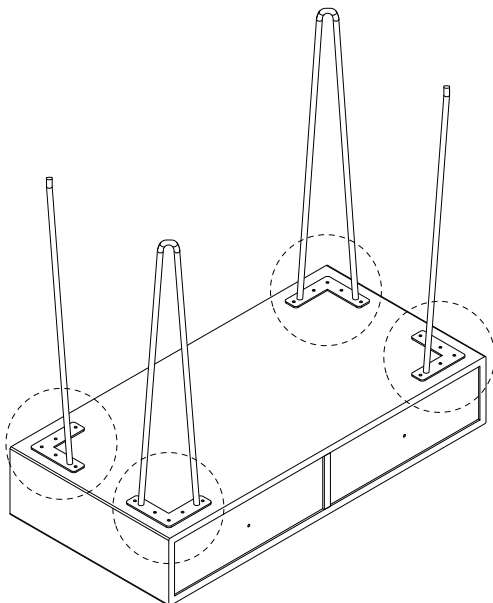
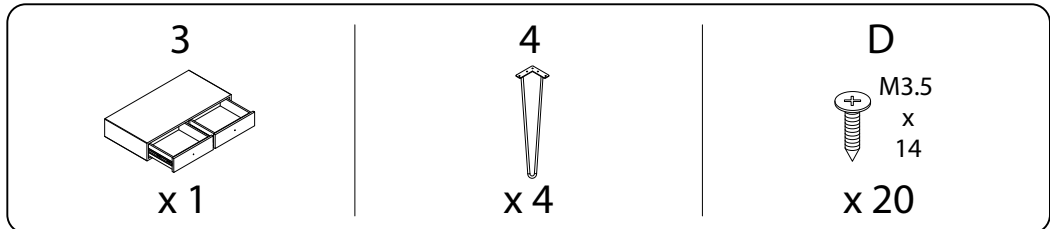


<p><b>A</b></p>  <p><b>x 1</b></p>	<p><b>B</b></p>  <p><b>x 2</b></p>	<p><b>C</b></p>  <p>M3.5 x 30</p> <p><b>x 5</b></p>	<p><b>D</b></p>  <p>M3.5 x 14</p> <p><b>x 40</b></p>
<p><b>E</b></p>  <p>M4 x 28</p> <p><b>x 2</b></p>	<p><b>F</b></p>  <p><b>x 2</b></p>	<p><b>G</b></p>  <p><b>x 1</b></p>	<p><b>H</b></p>  <p><b>x 8</b></p>

1



2

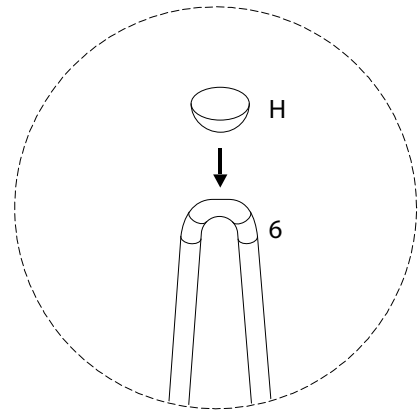
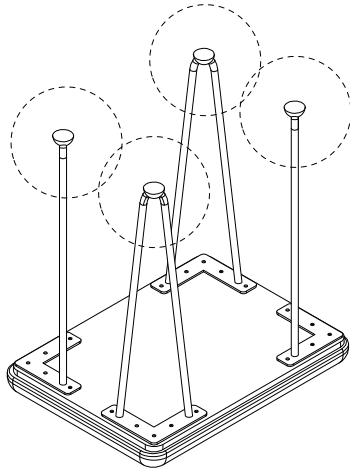


3

H



x 4

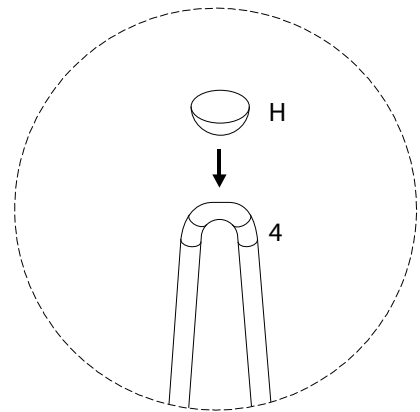
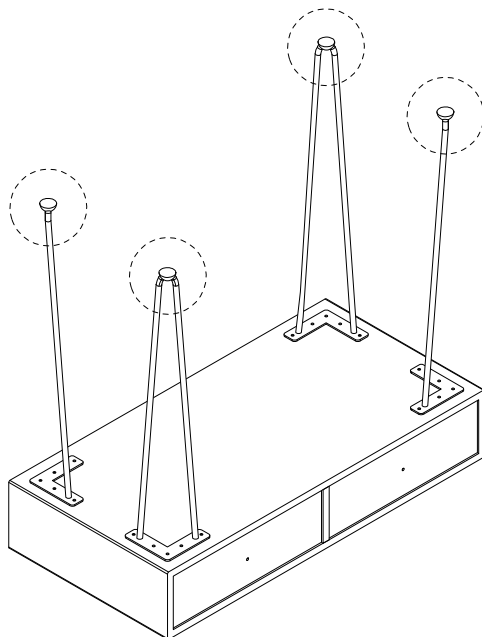


4

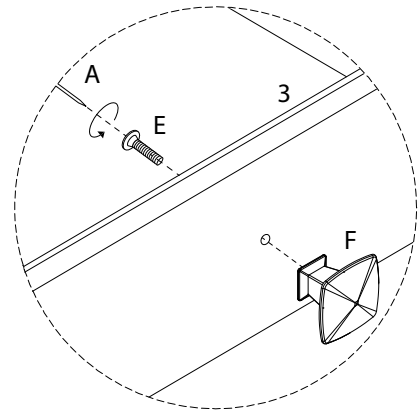
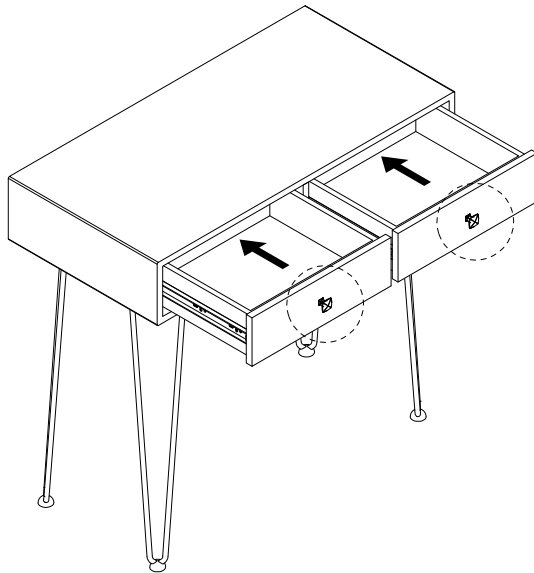
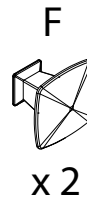
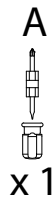
H



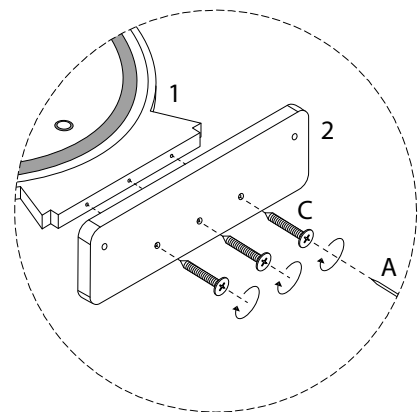
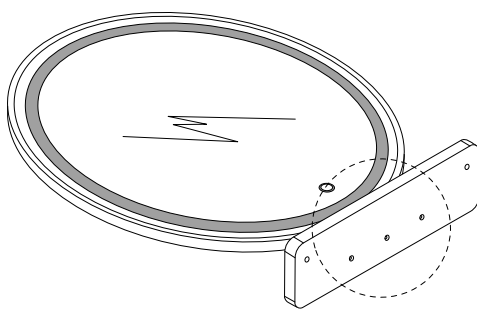
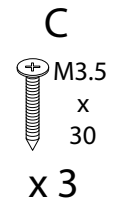
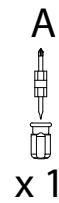
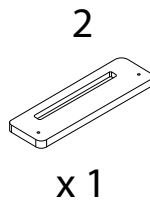
x 4




5



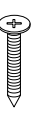
6

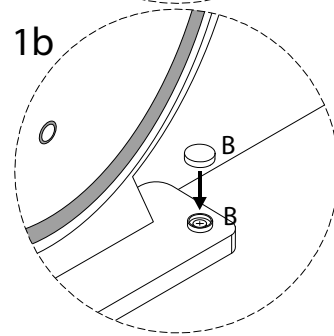
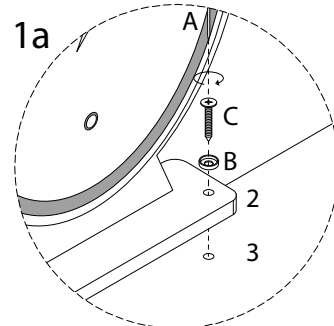
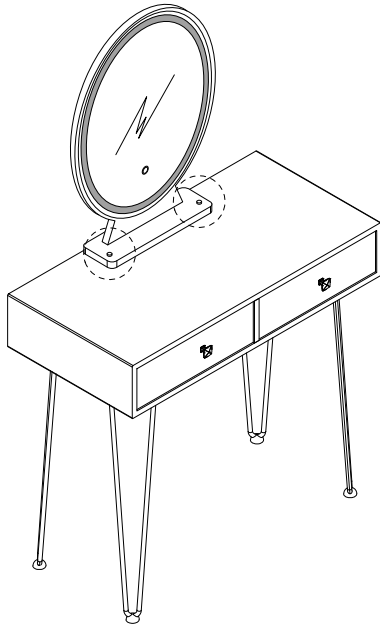


7

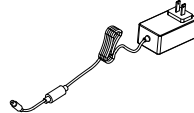
A  
  
x1

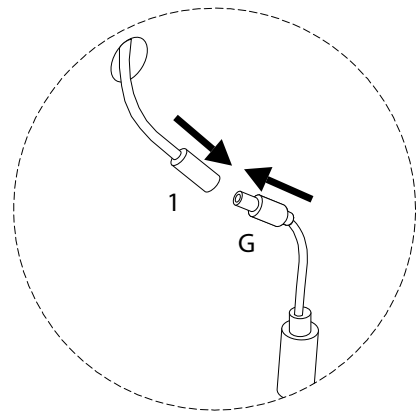
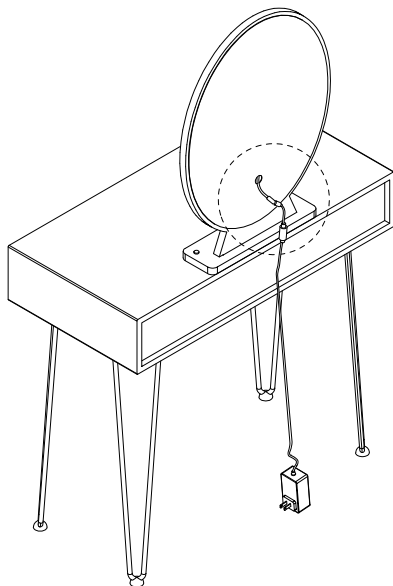
B  
  
x2

C  
  
M3.5  
x  
30  
x2



8

G  
  
x1





9

