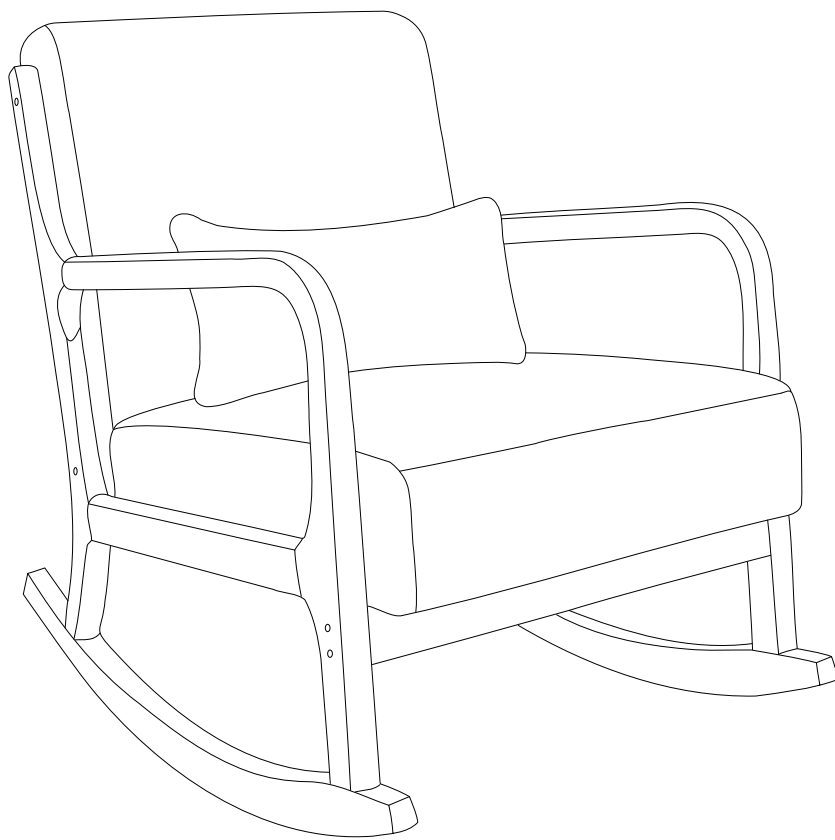
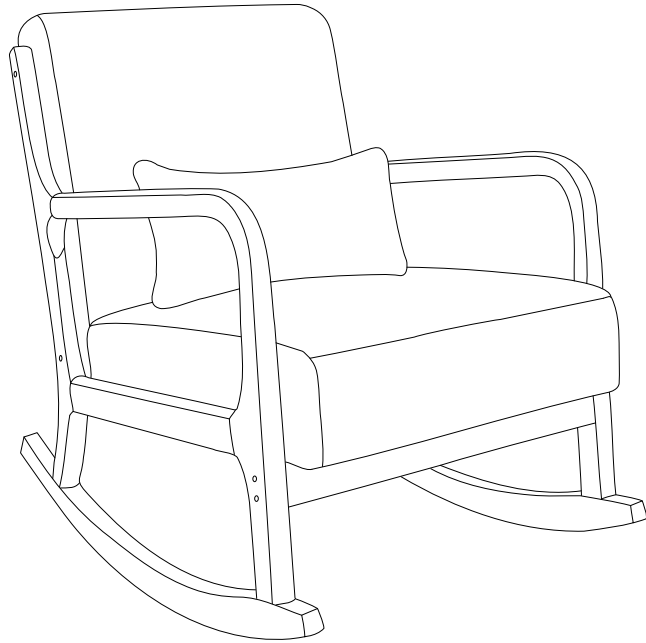
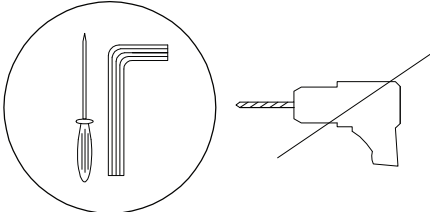

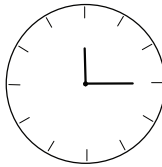
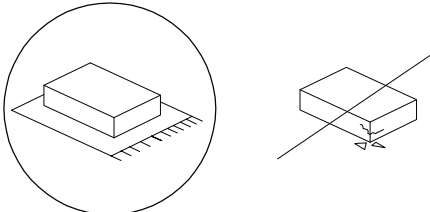


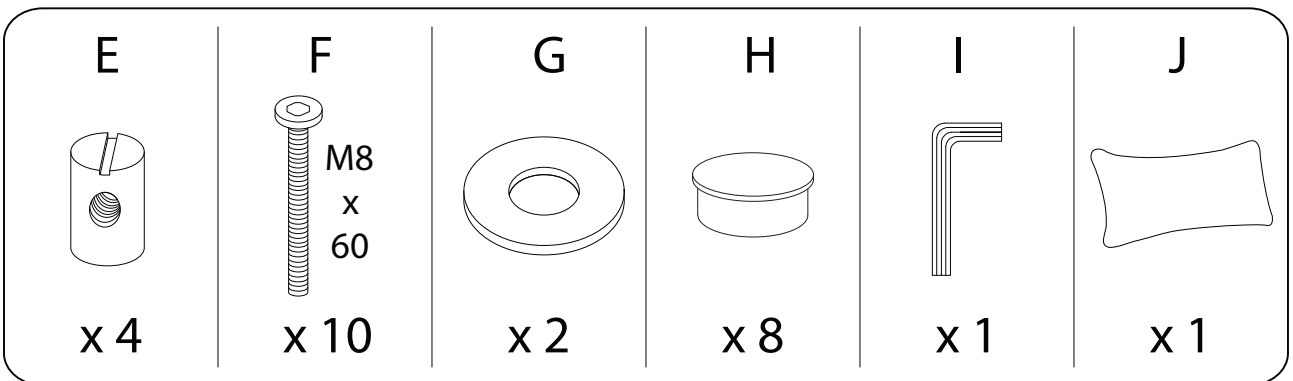
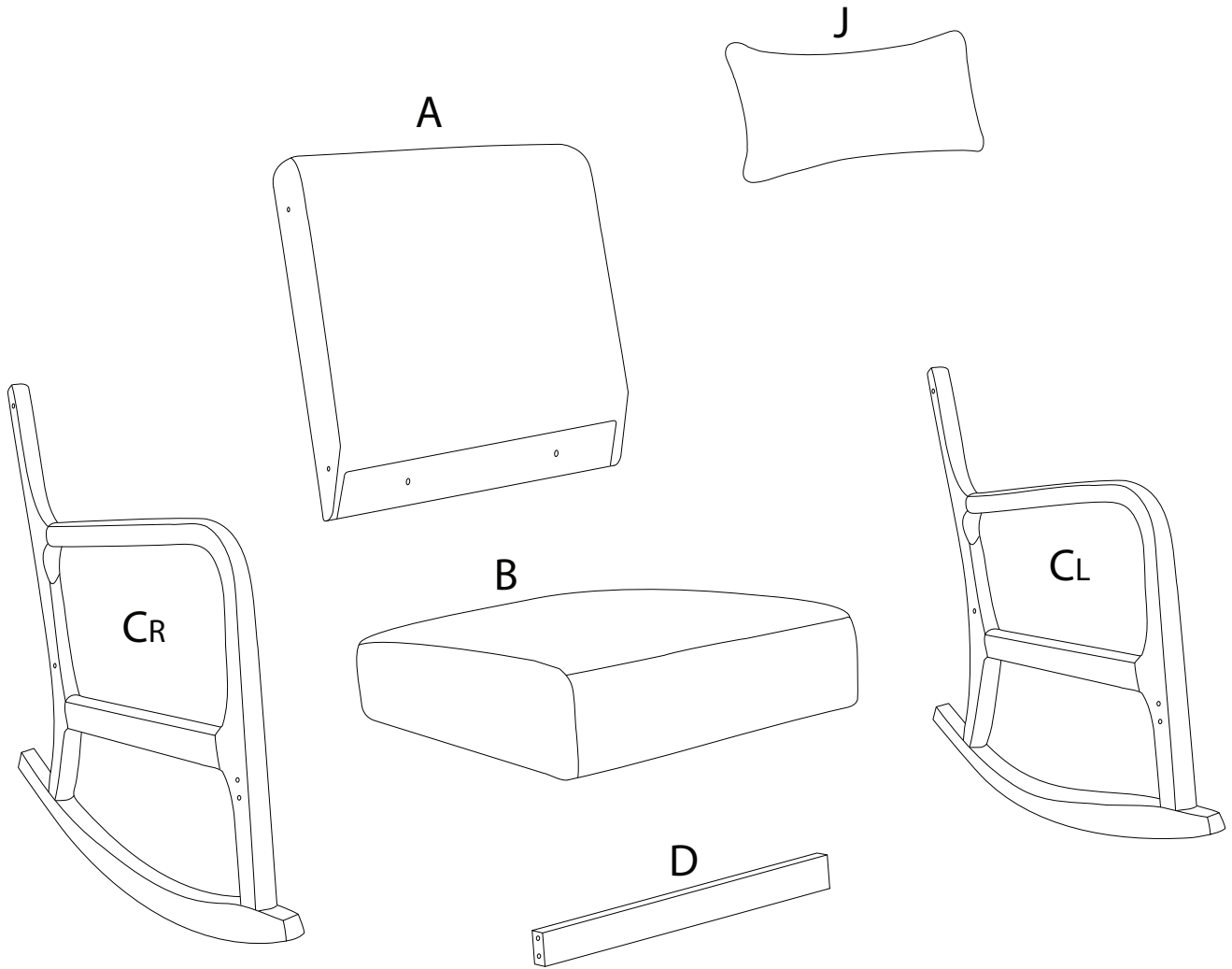
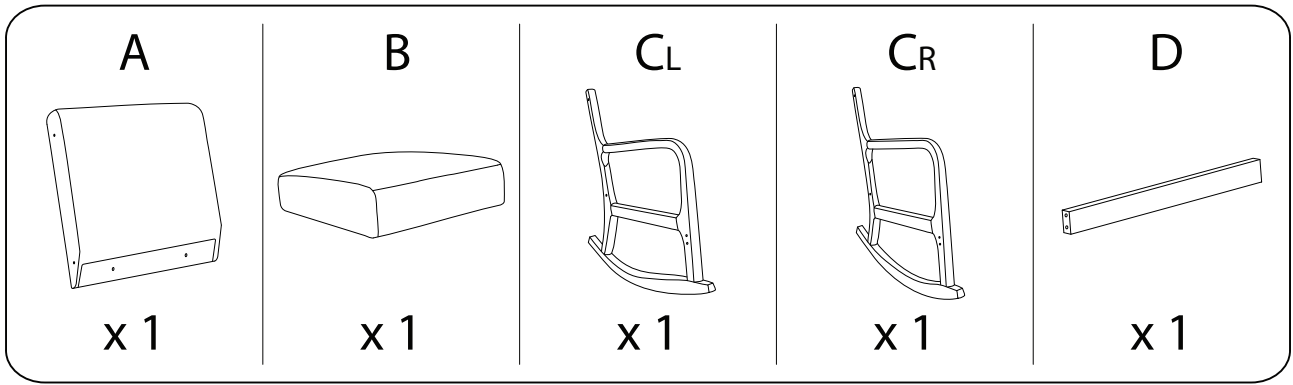


RESTAD

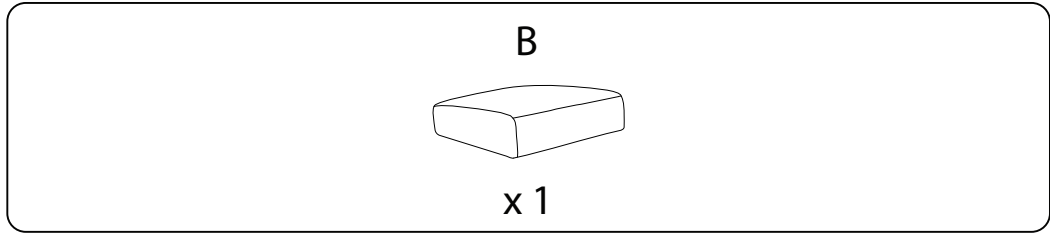




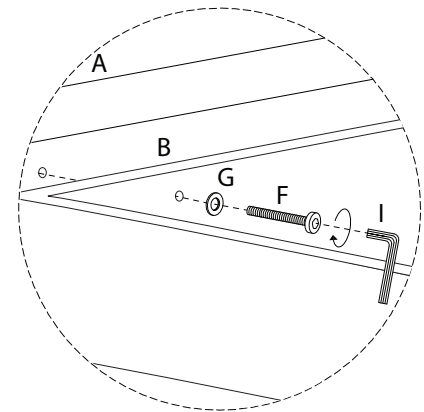
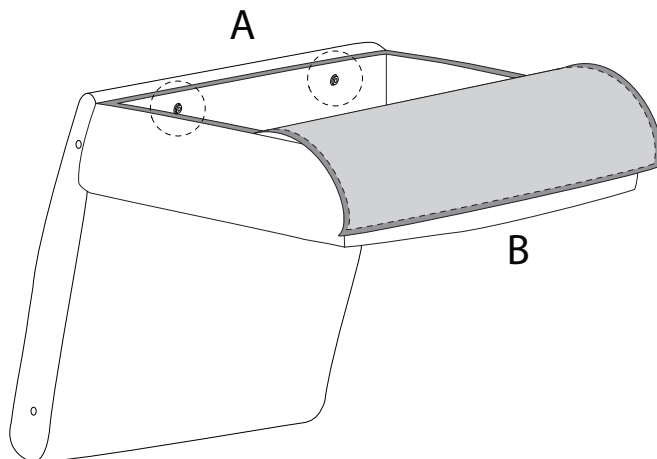
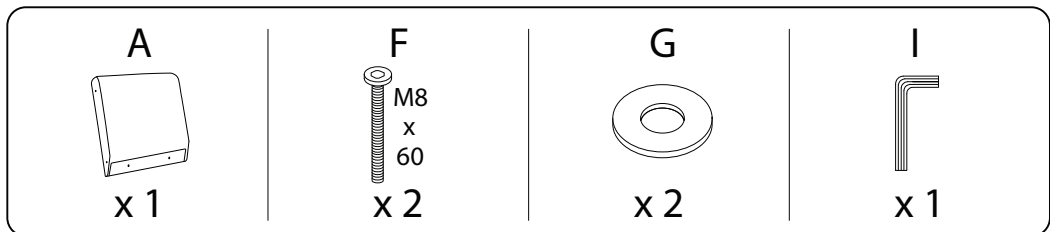
		
		15'
		
		2







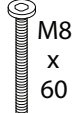
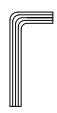
1

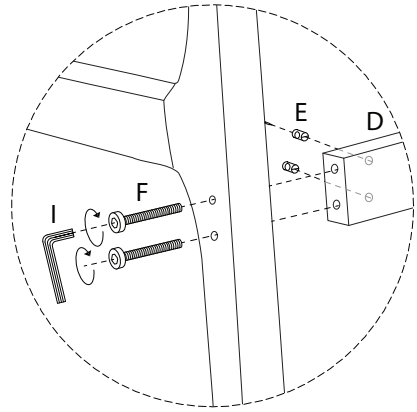
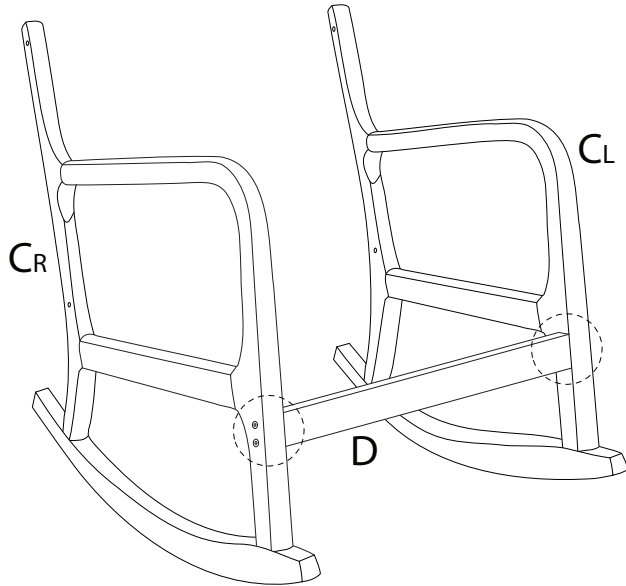


2

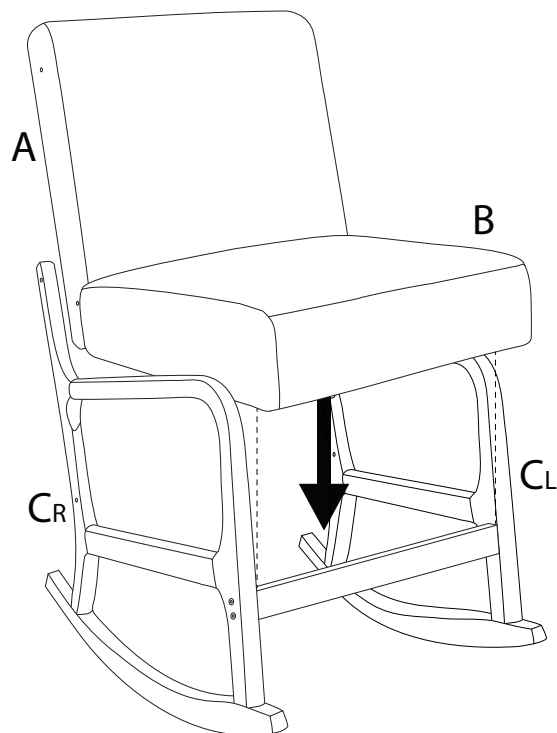


3

 CL x 1	 CR x 1	 D x 1	 E x 4	 F M8 x 60 x 4	 I x 1
--	--	---	--	--	---



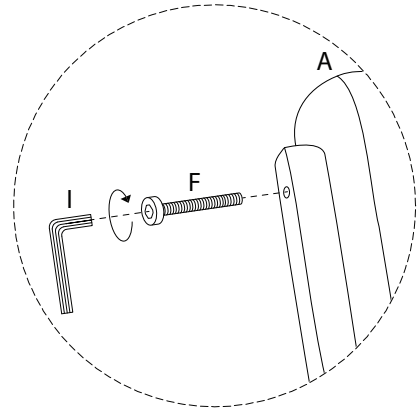
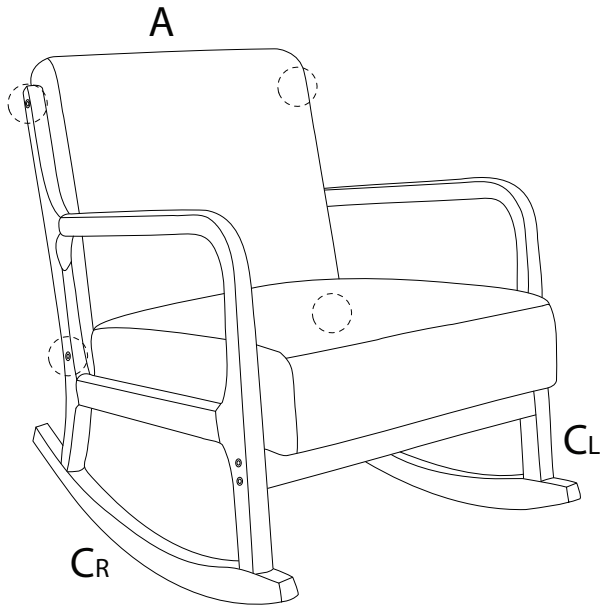
4



5

F
M8
x
60
x 4

I
x 1

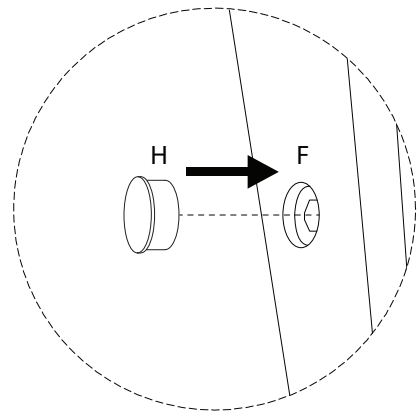
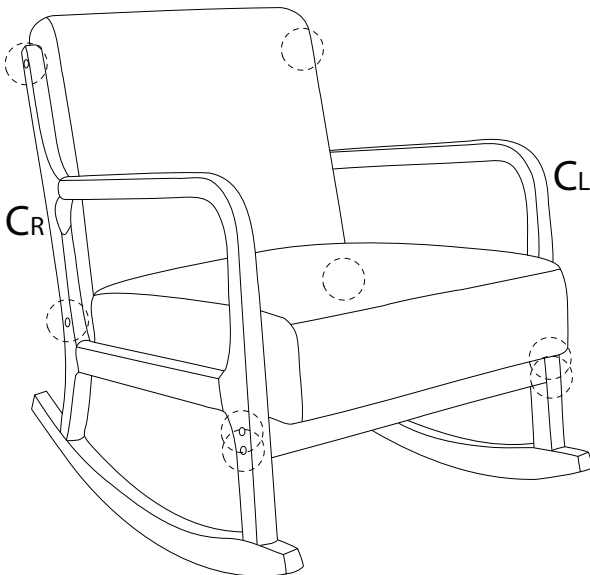


6

H



x 8



7

J



x1

J

