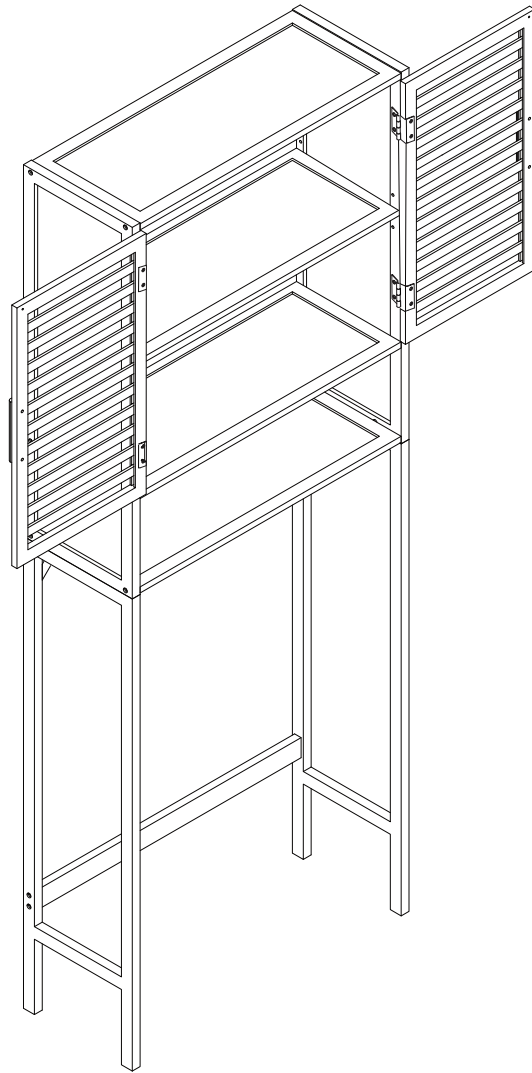
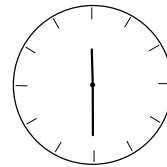
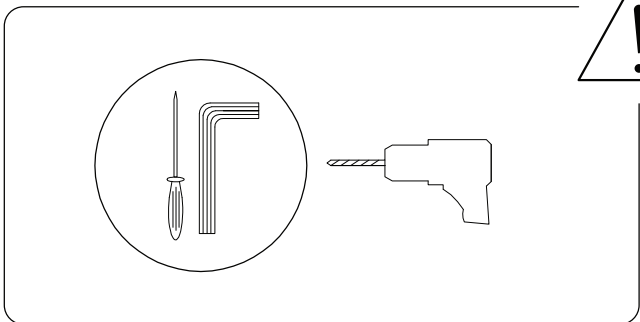
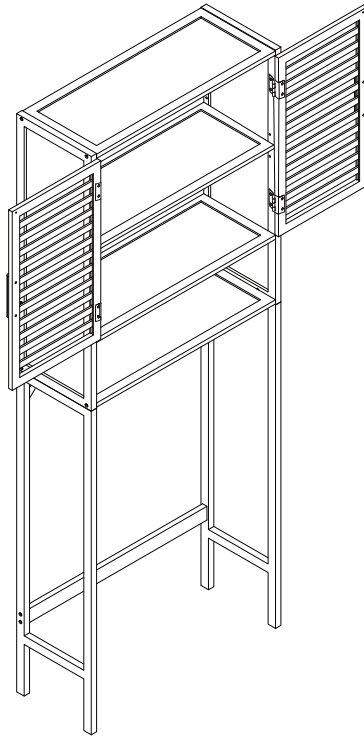
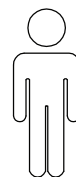
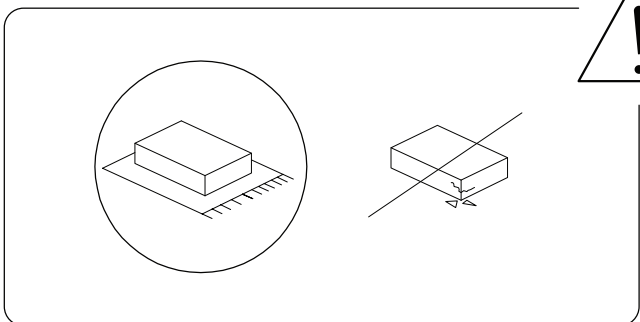


OKARCHE

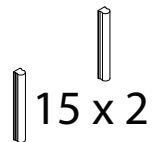
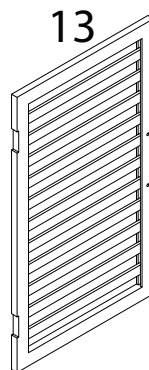
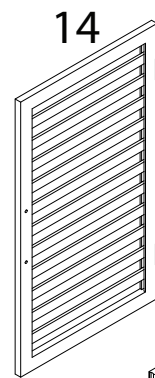
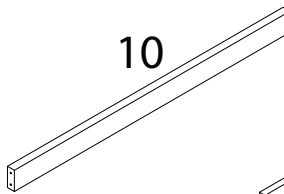
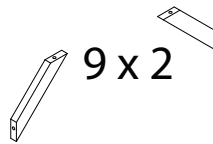
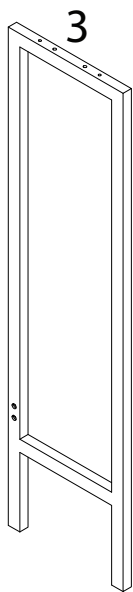
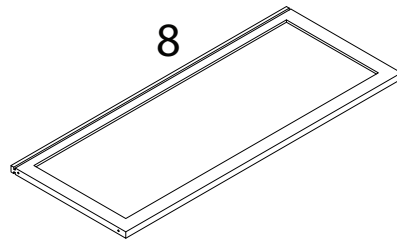
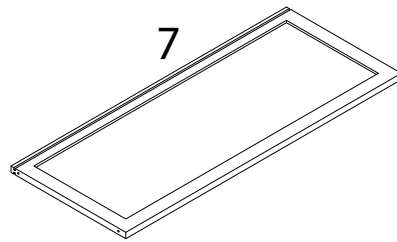
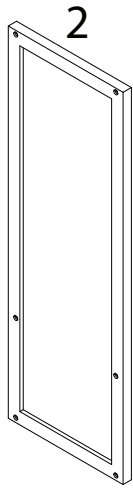
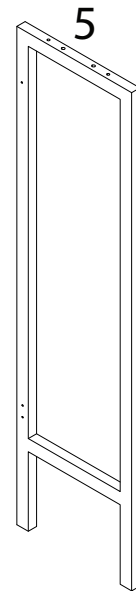
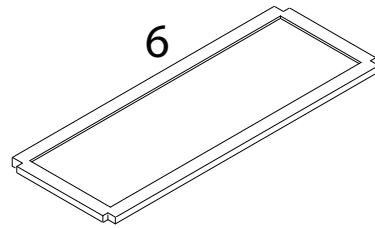
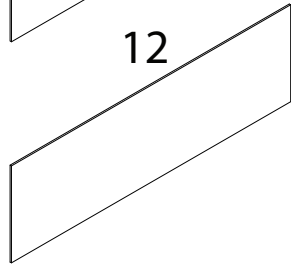
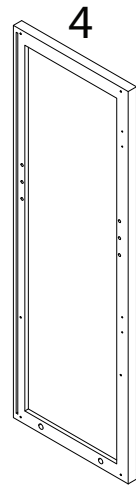
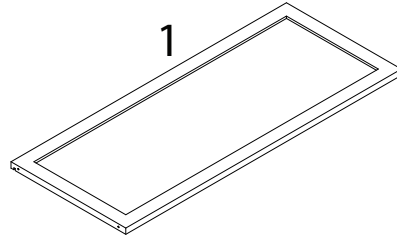
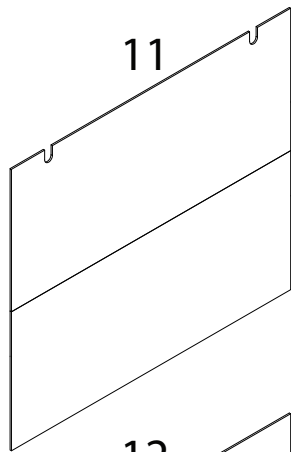




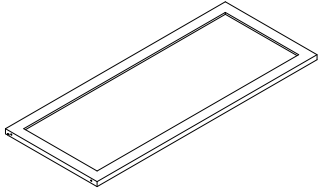
30'



2



1



x 1

2



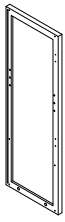
x 1

3



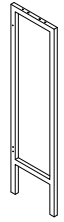
x 1

4



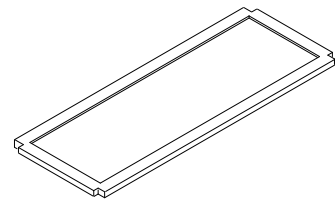
x 1

5



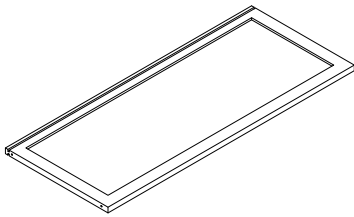
x 1

6



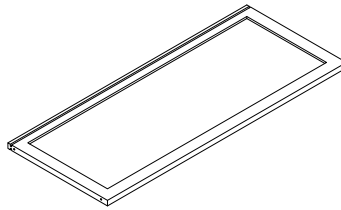
x 1

7



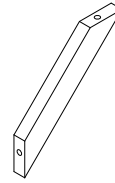
x 1

8



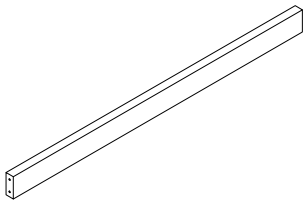
x 1

9



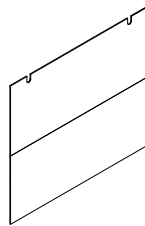
x 2

10



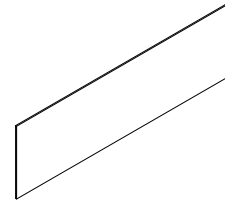
x 1

11



x 1

12



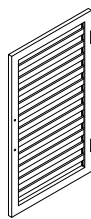
x 1

13



x 1

14



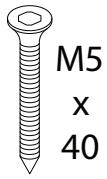
x 1

15



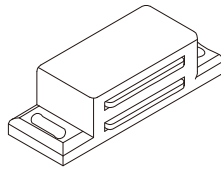
x 2

A



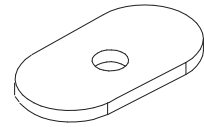
x 16

B



x 1

C



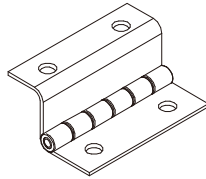
x 2

D



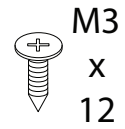
x 8

E



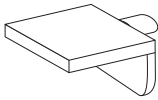
x 4

F



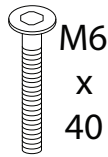
x 20

G



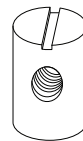
x 4

H



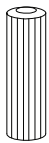
x 4

I



x 4

J



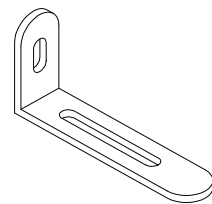
x 4

K



x 2

L



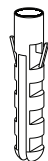
x 2

M



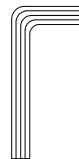
x 2

N



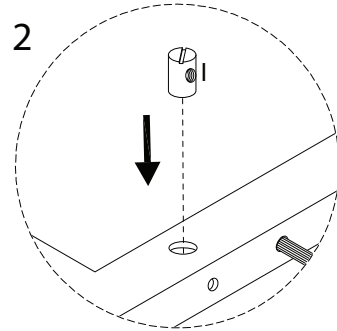
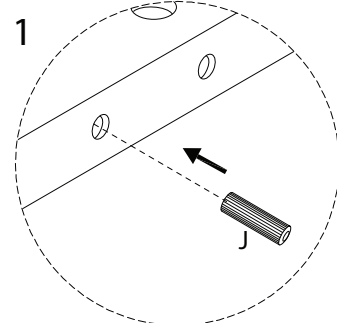
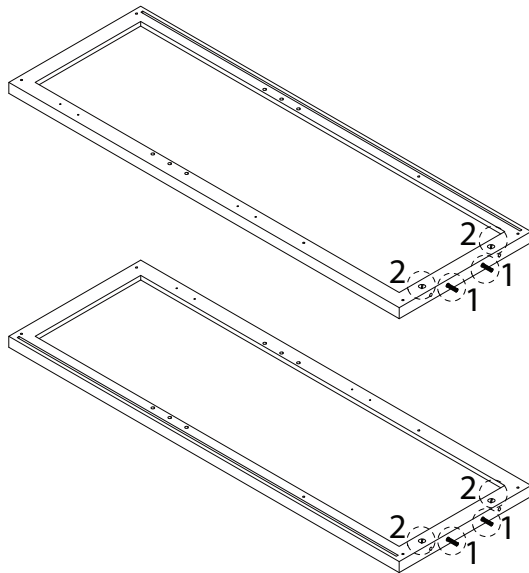
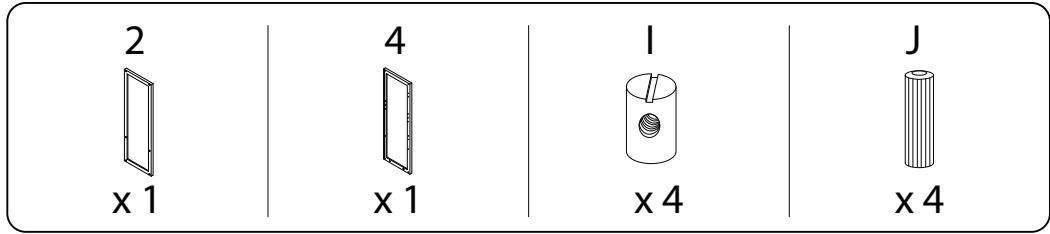
x 2

O

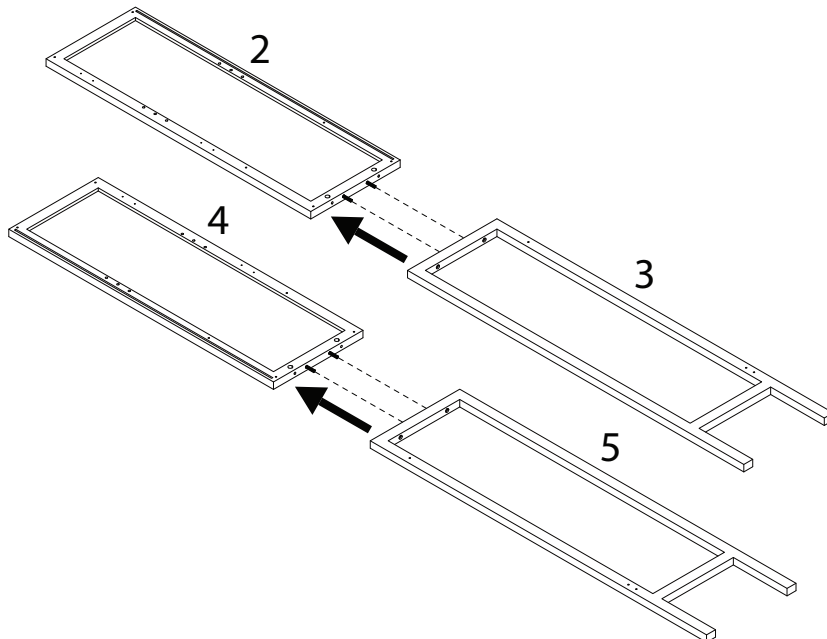
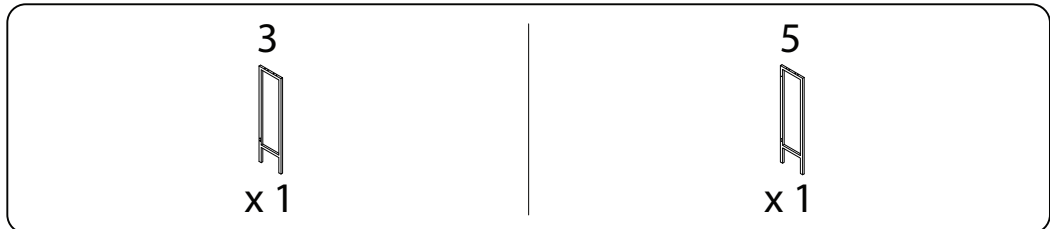


x 1

1



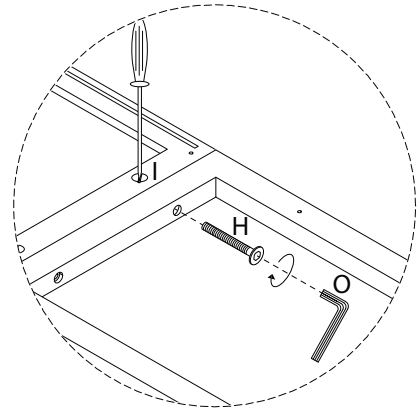
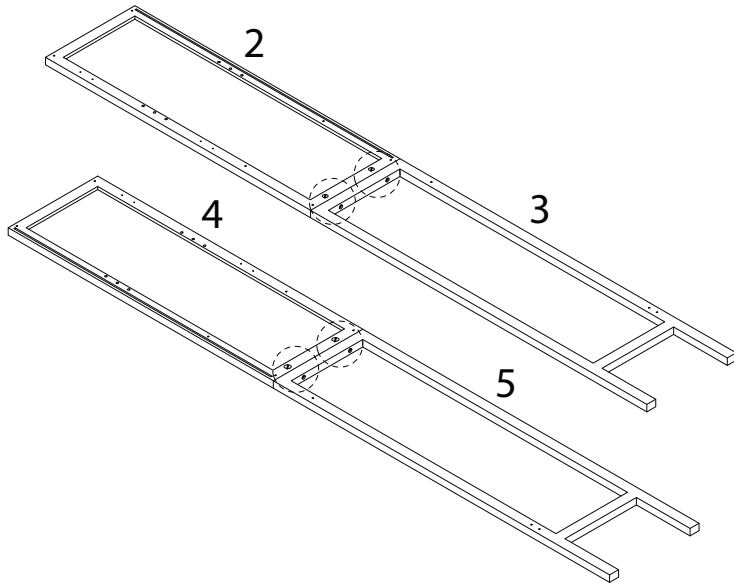
2



3

H
M6
x
40
x 4

O
x 1

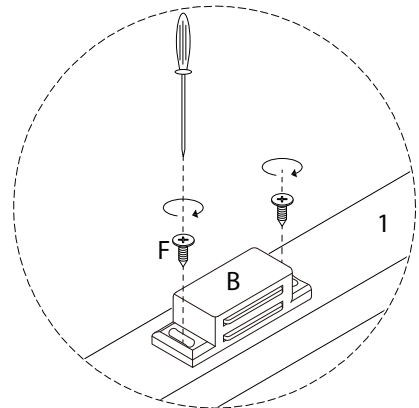
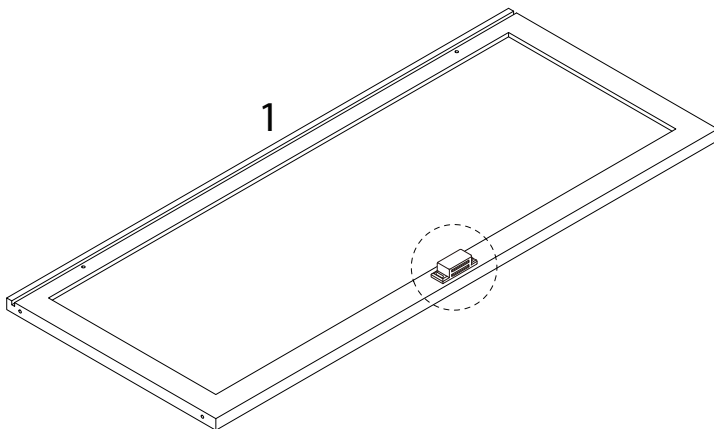


4

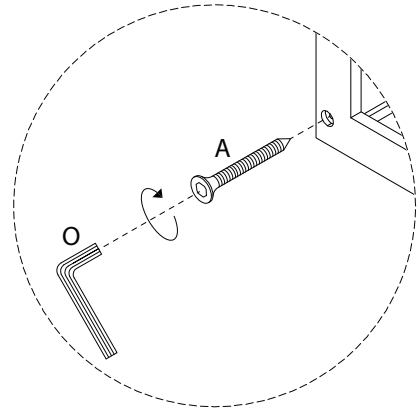
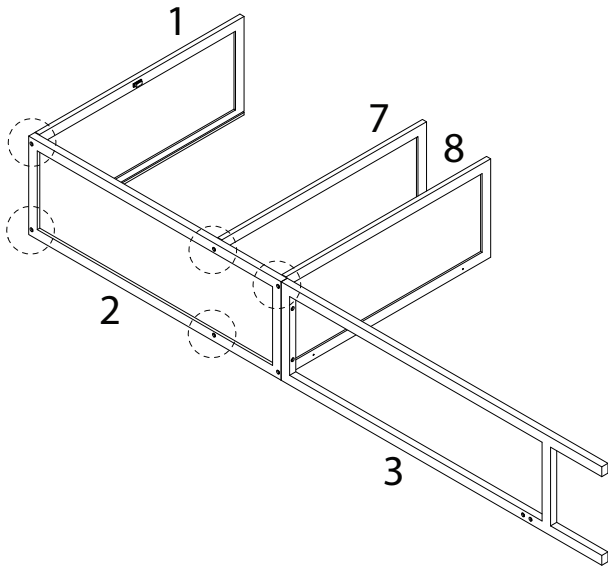
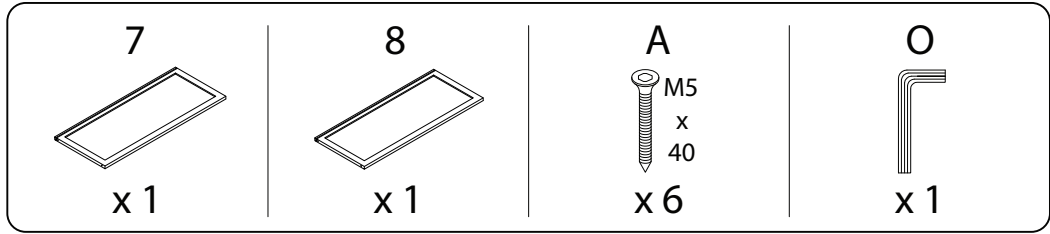
1
x 1

B
x 1

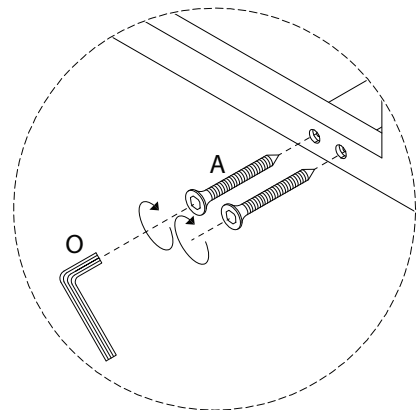
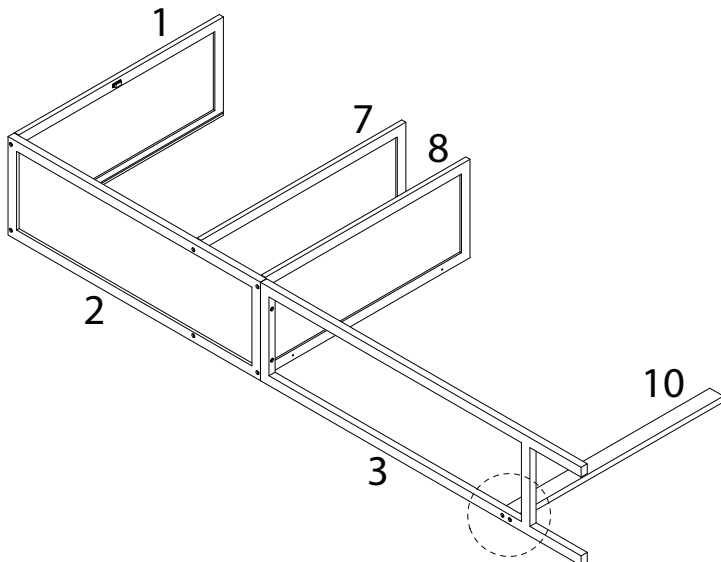
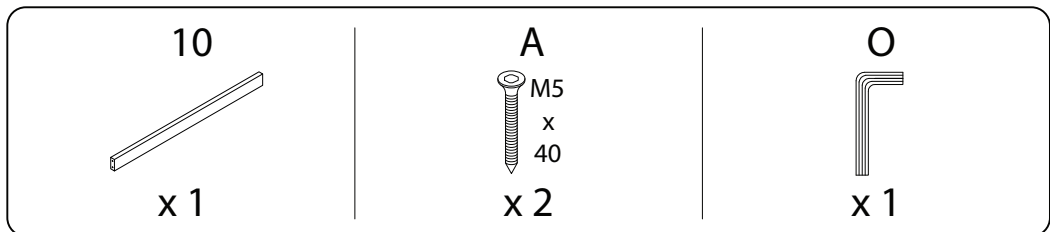
F
M3
x
12
x 2



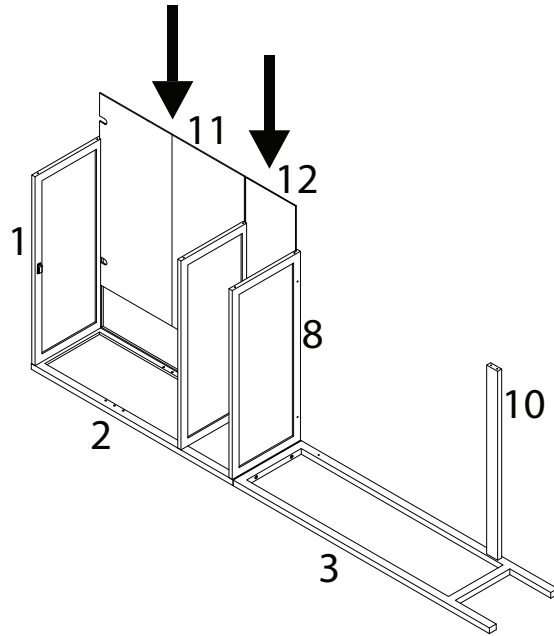
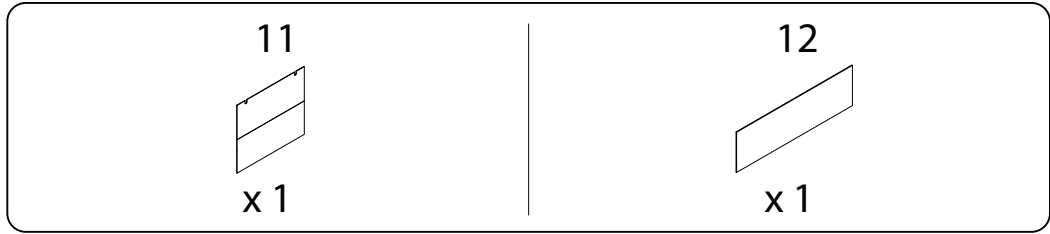
5



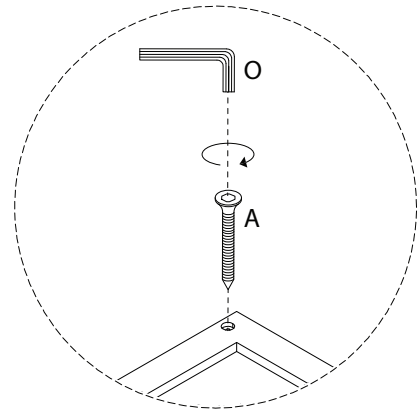
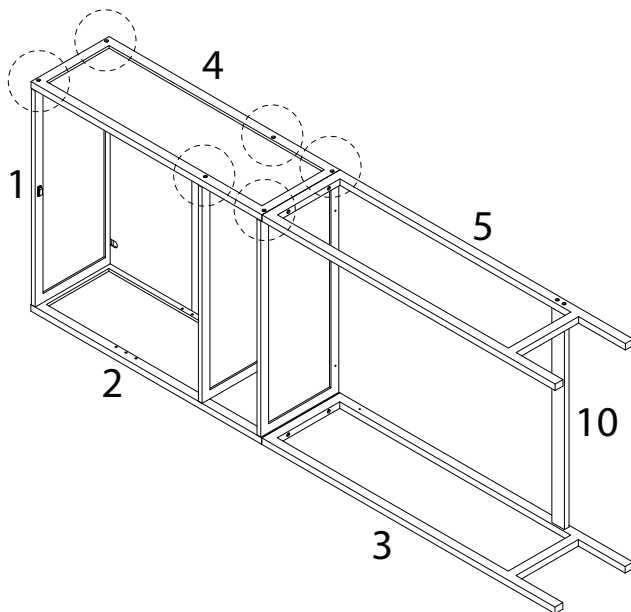
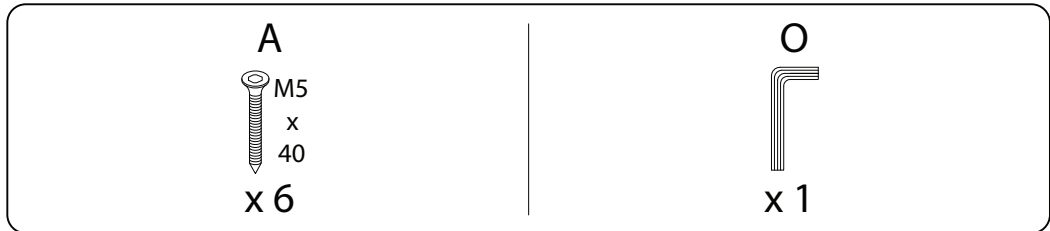
6



7



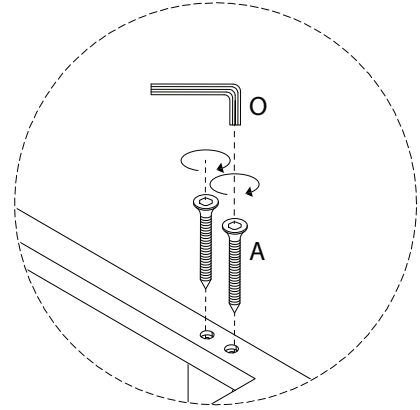
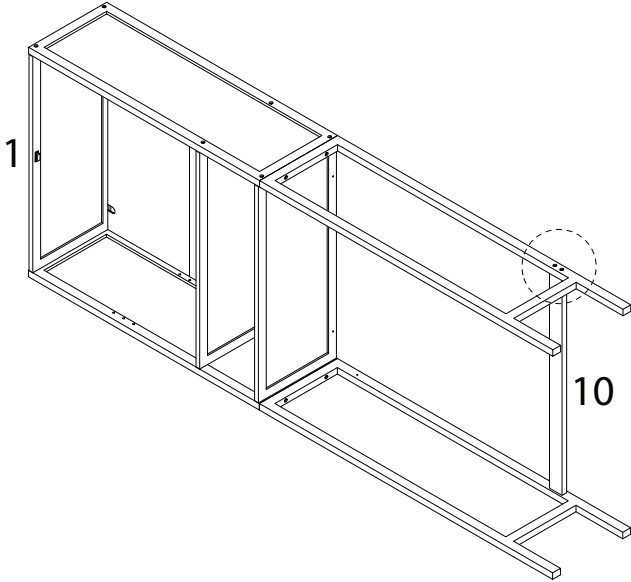
8



9

A
M5
x
40
x 2

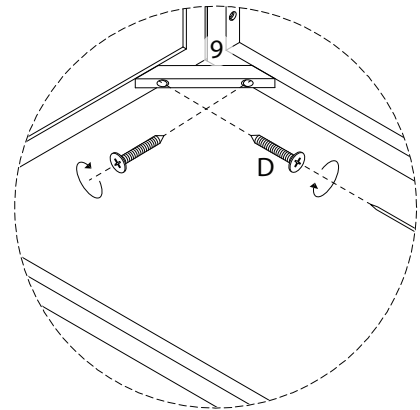
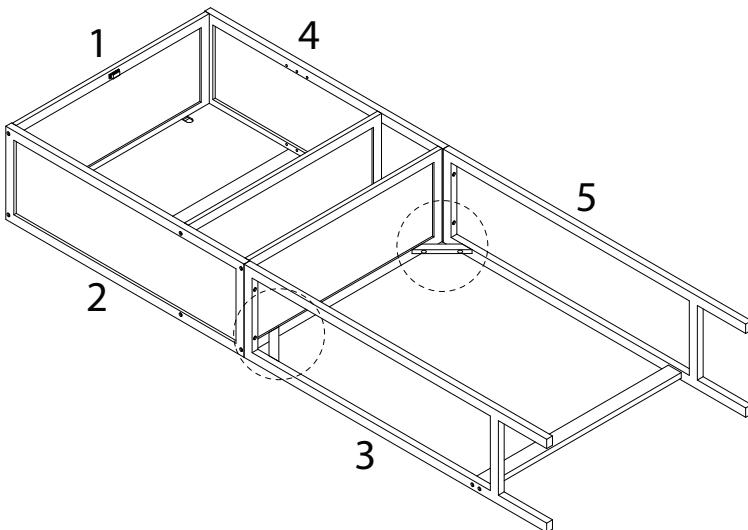
O
x 1



10

9
x 2

D
M4
x
20
x 4



11

13



x 1

14



x 1

15

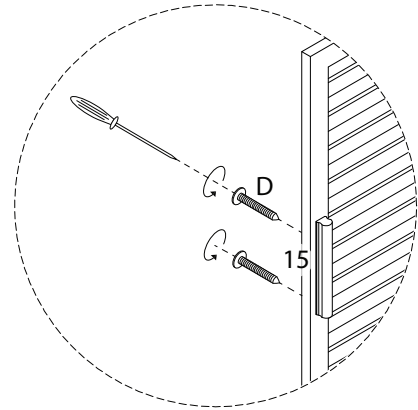
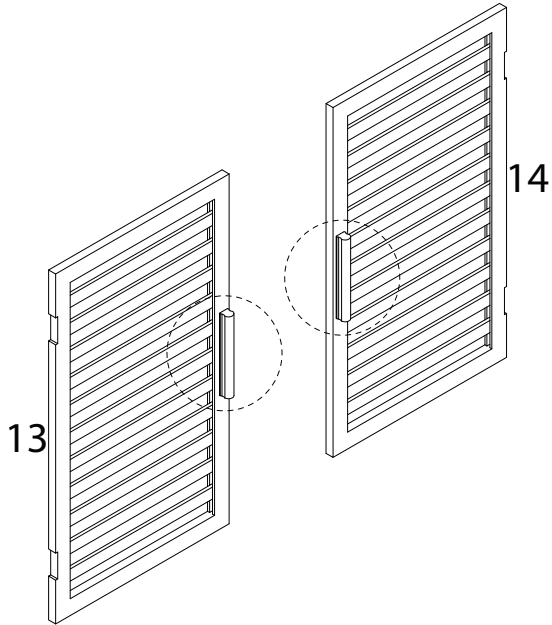


x 2

D

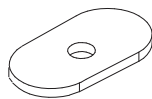


x 4



12

C

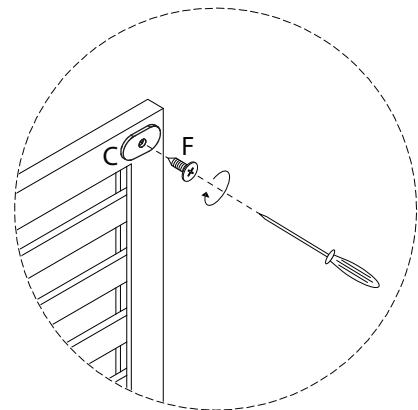
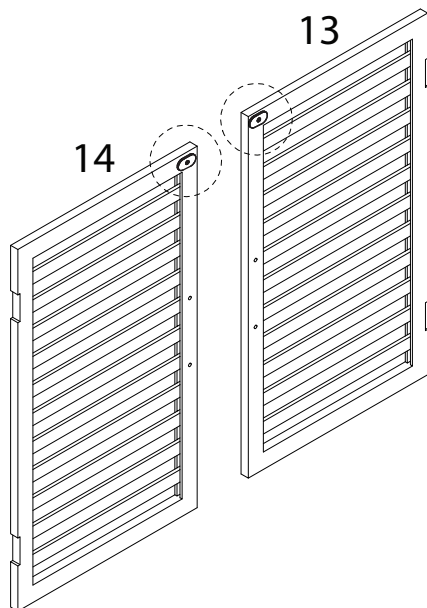


x 2

F

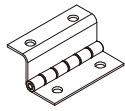


x 2



13

E

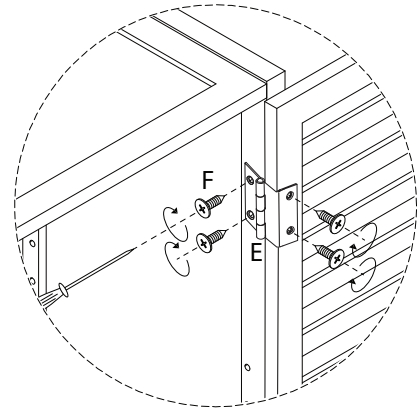
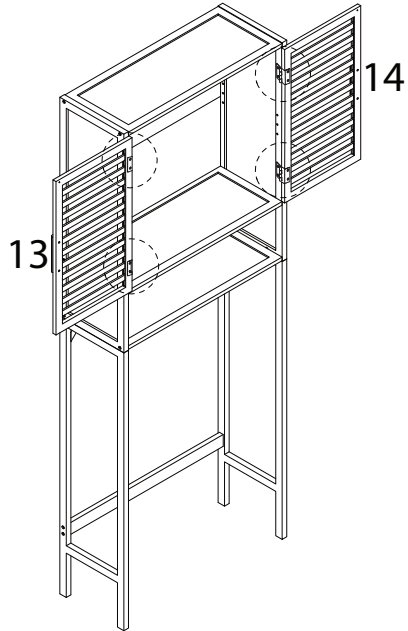


x 4

F



x 16



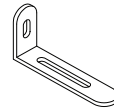
14

K

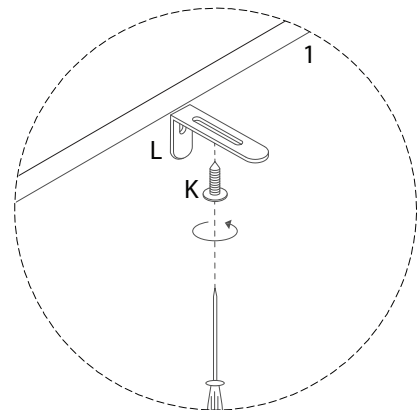
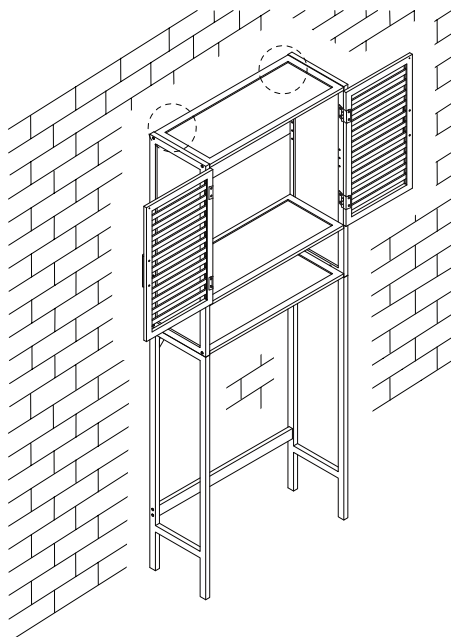


x 2

L



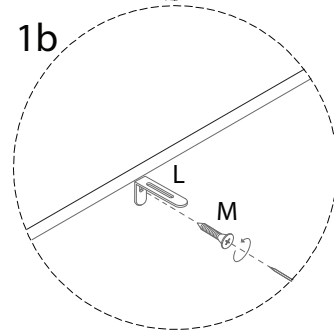
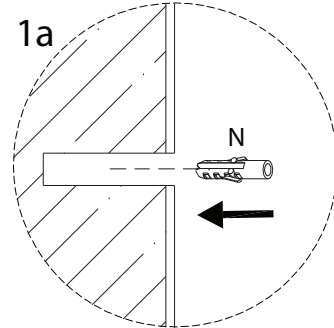
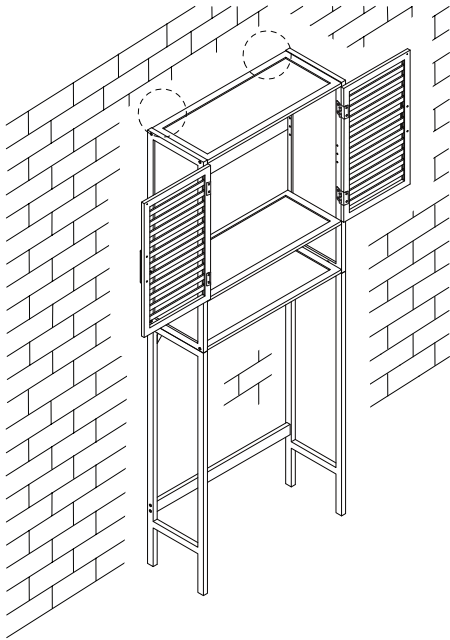
x 2



15

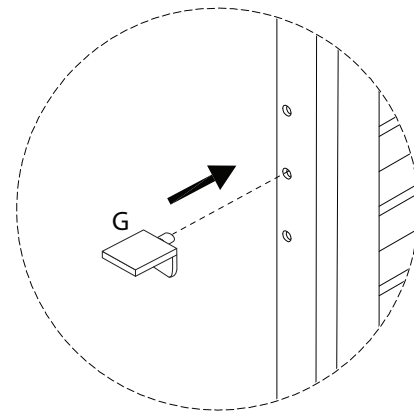
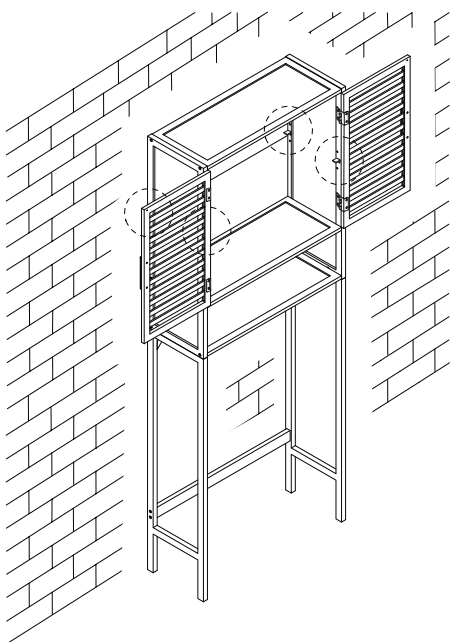
M
M4
x
30
x 2

N
x 2



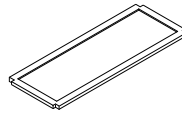
16

G
x 4



17

6



x 1

