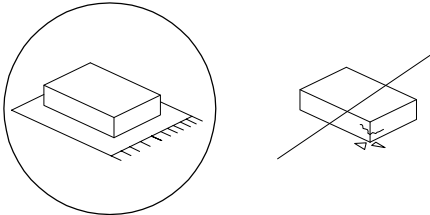
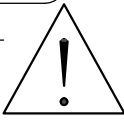
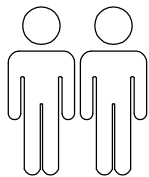
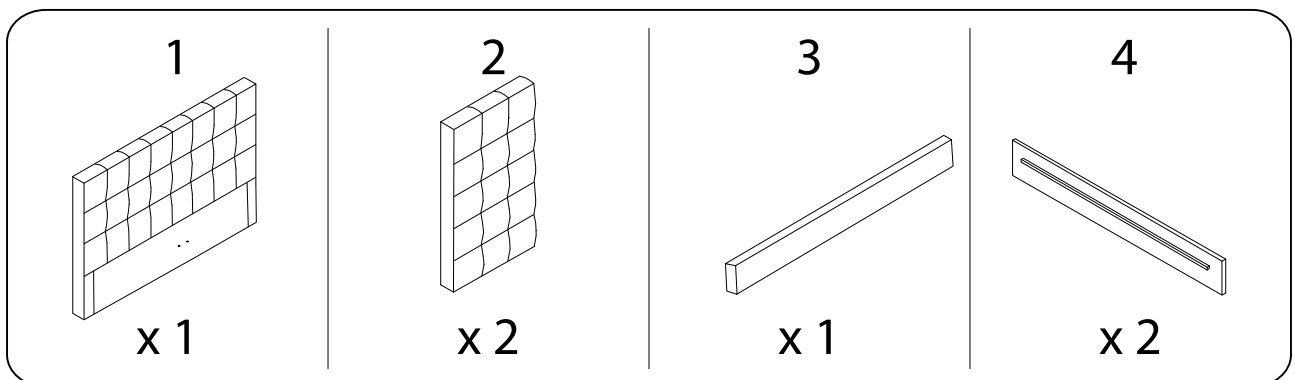
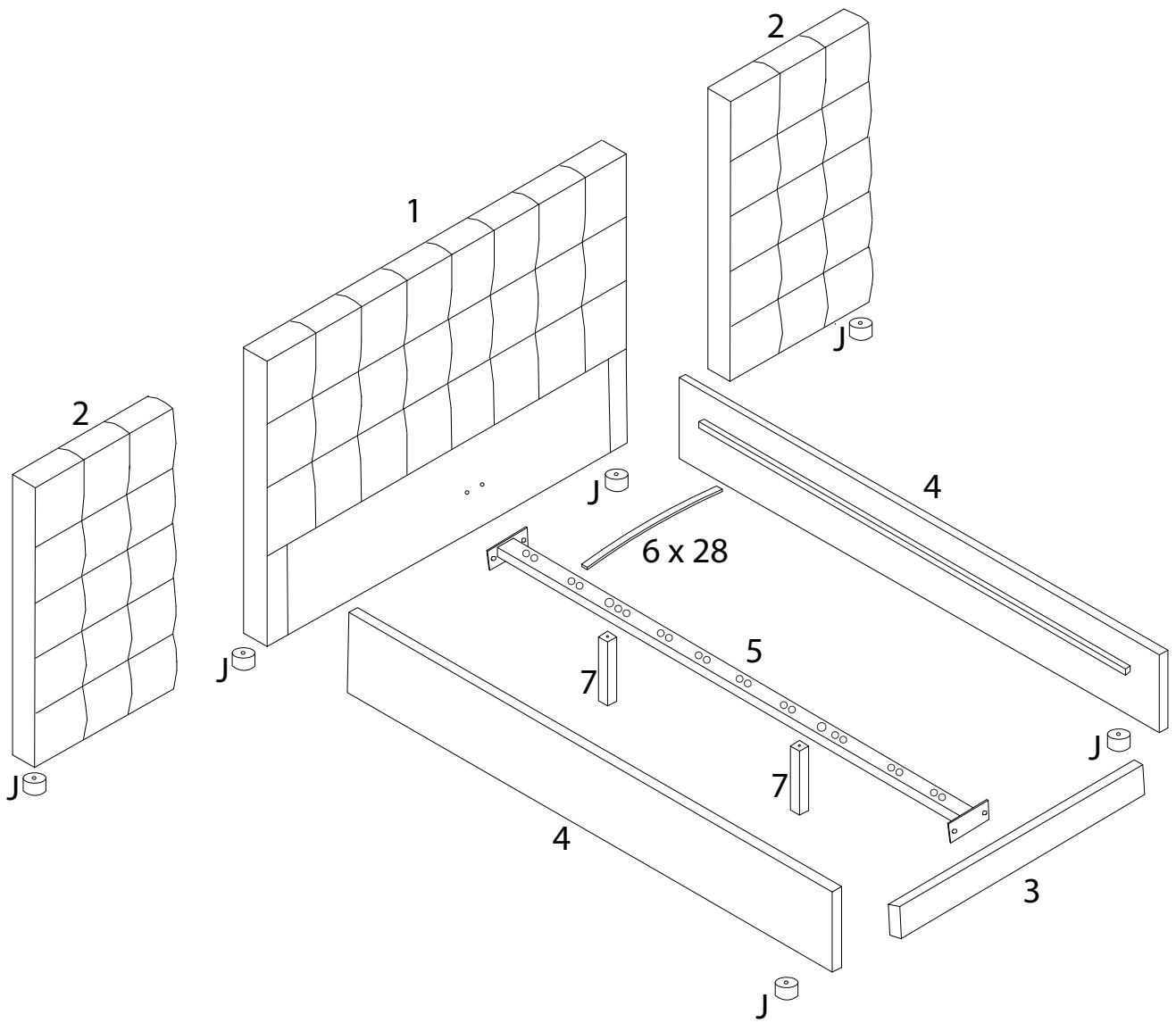
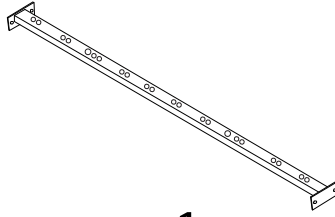

		45'
		
		2

A

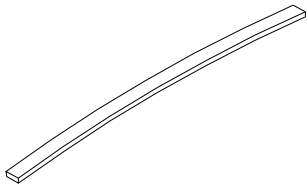


5



x 1

6



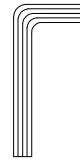
x 28

7



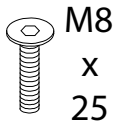
x 2

A



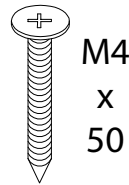
x 1

B



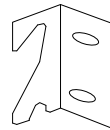
x 36

C



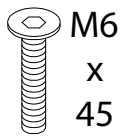
x 6

D



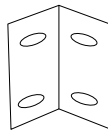
x 2

E



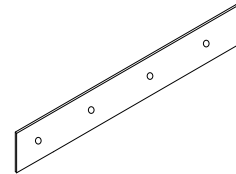
x 2

F



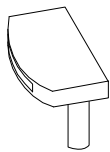
x 2

G



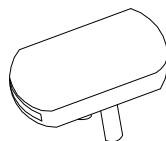
x 4

H



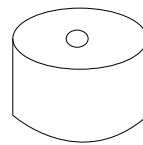
x 28

I



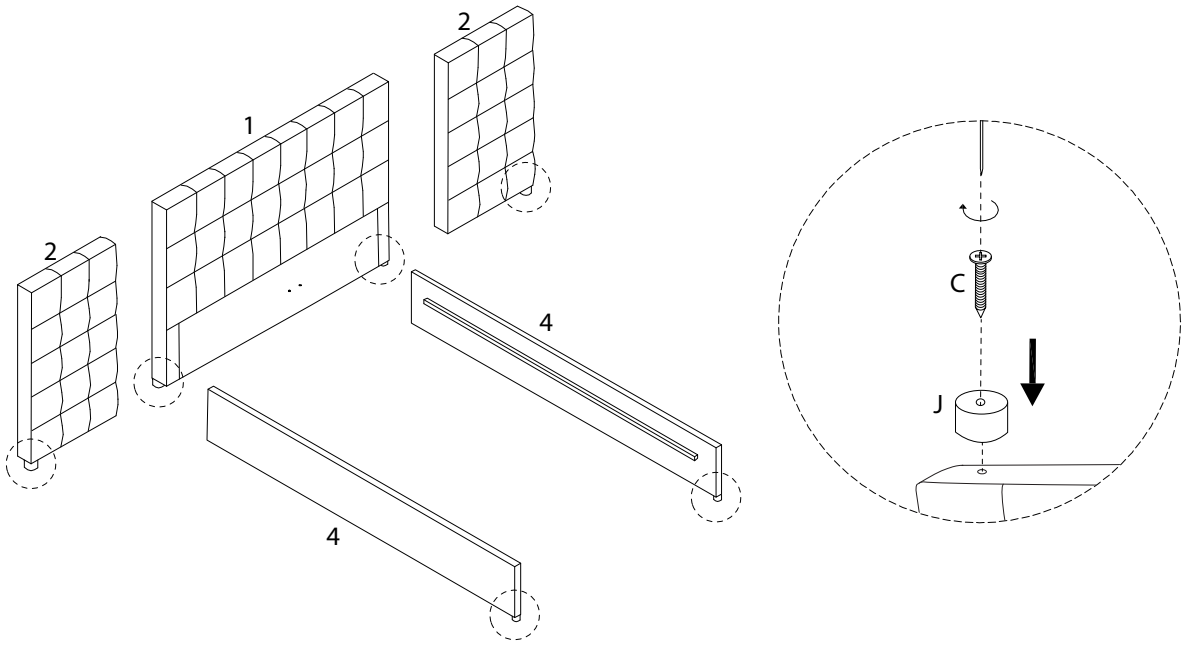
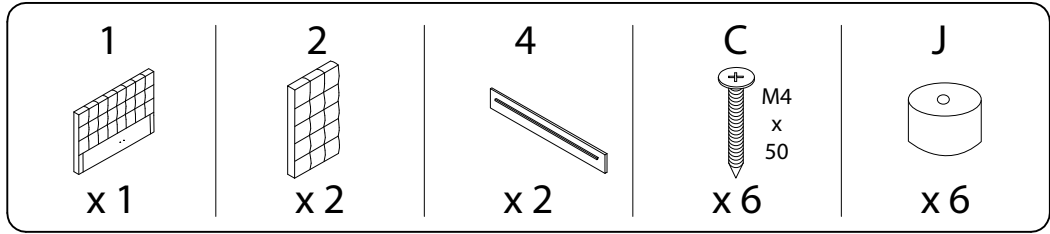
x 14

J

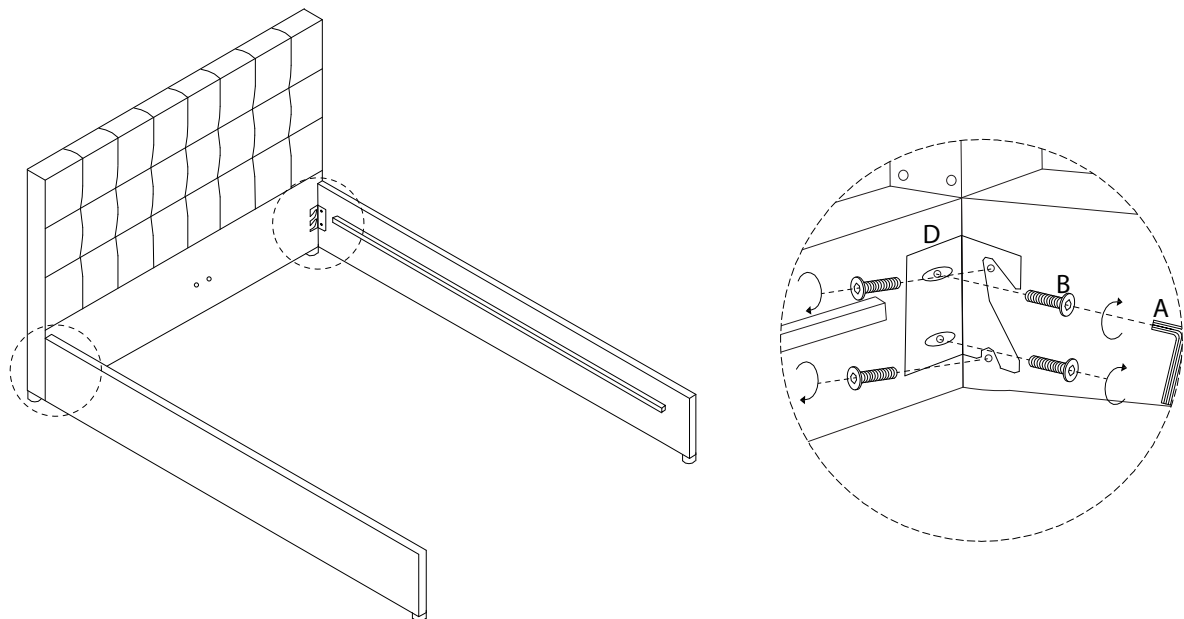
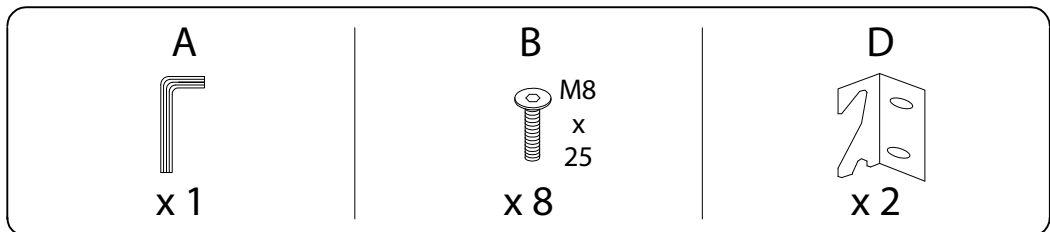


x 6

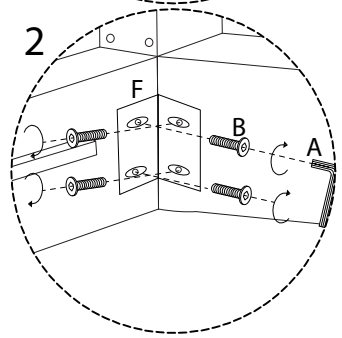
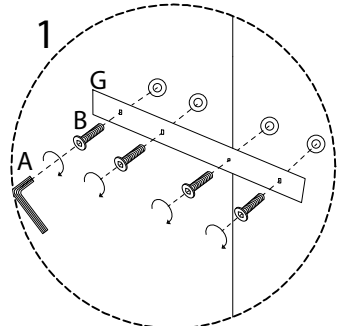
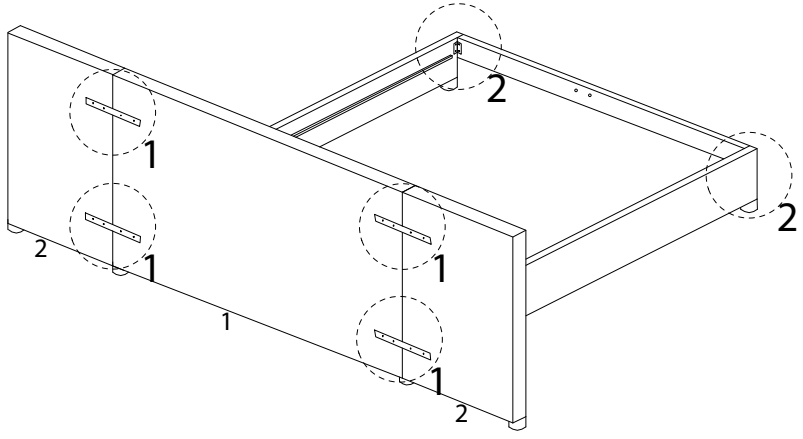
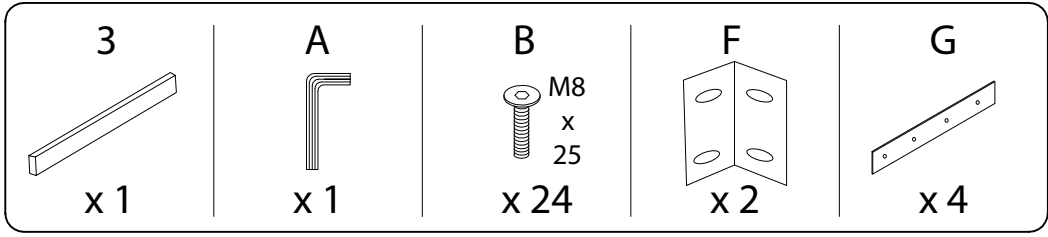
1



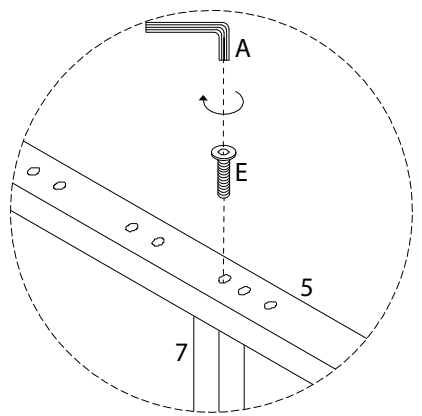
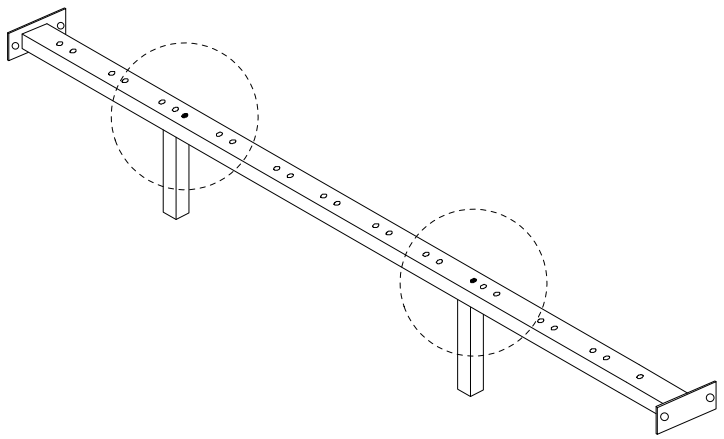
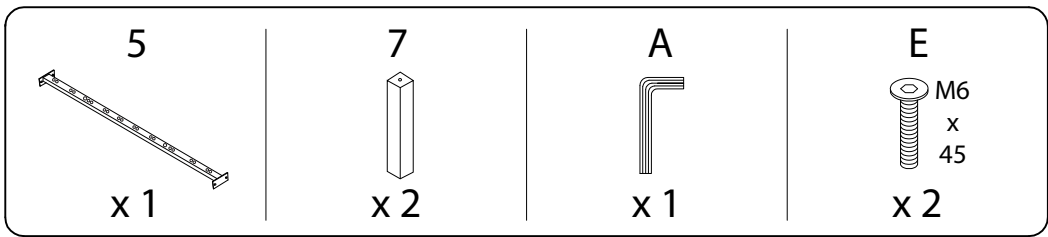
2



3

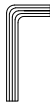


4



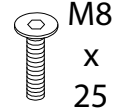
5

A



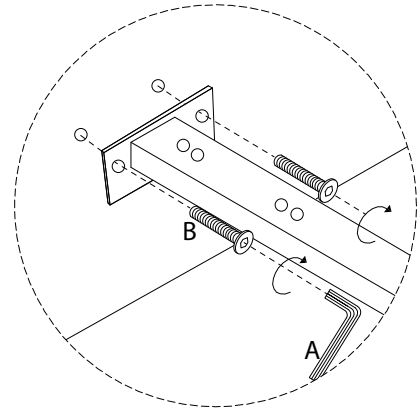
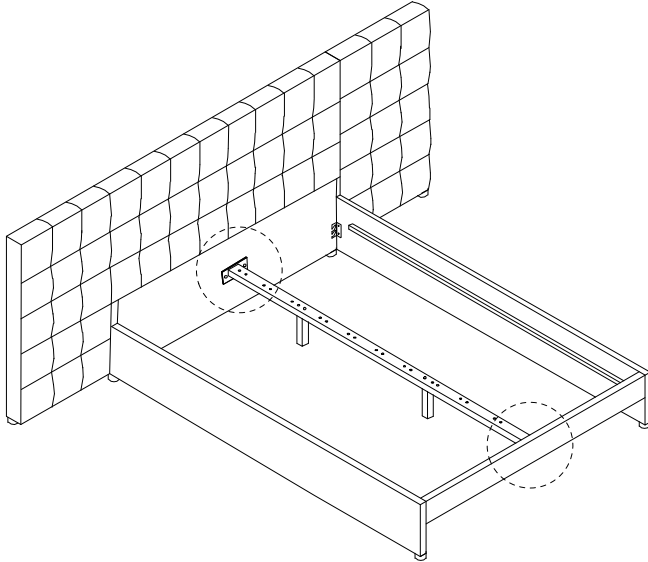
x 1

B



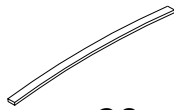
M8
x
25

x 4



6

6



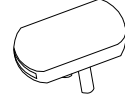
x 28

H

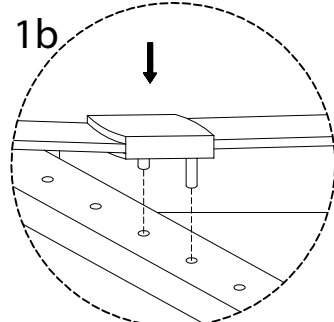
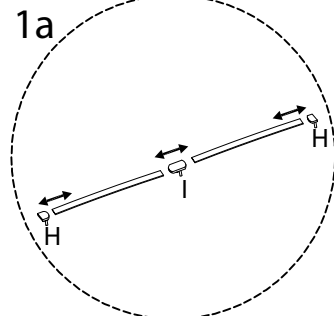
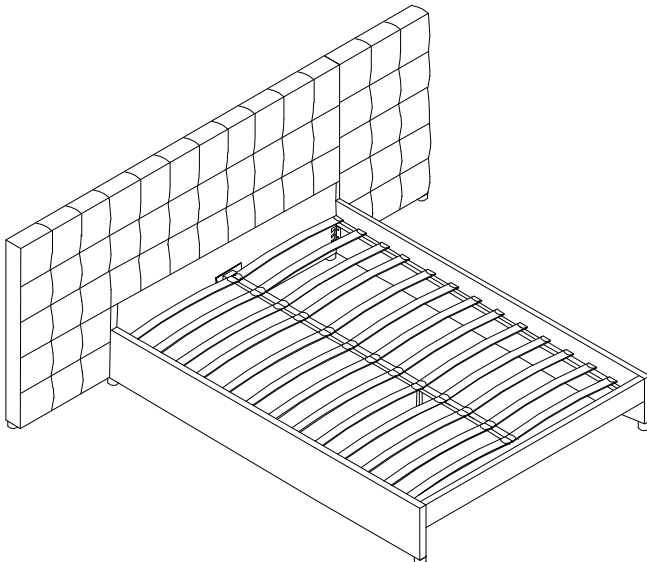


x 28

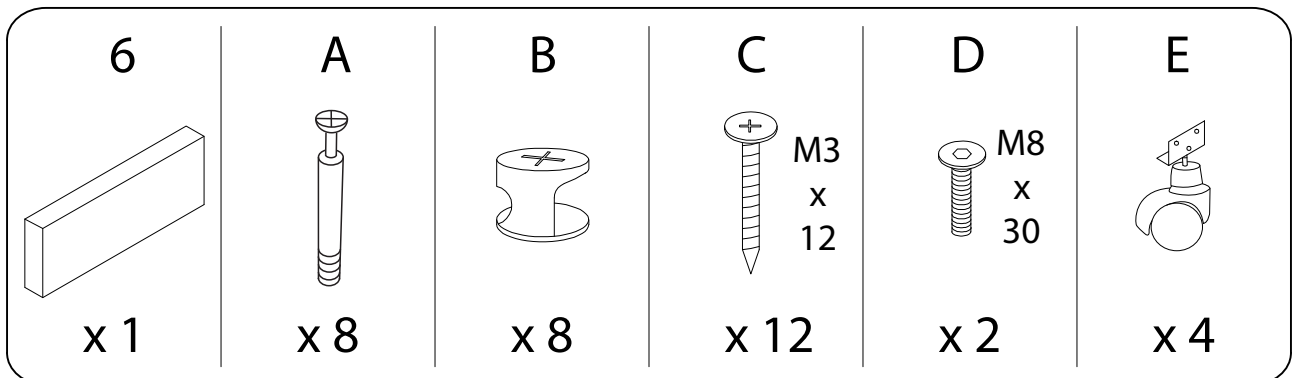
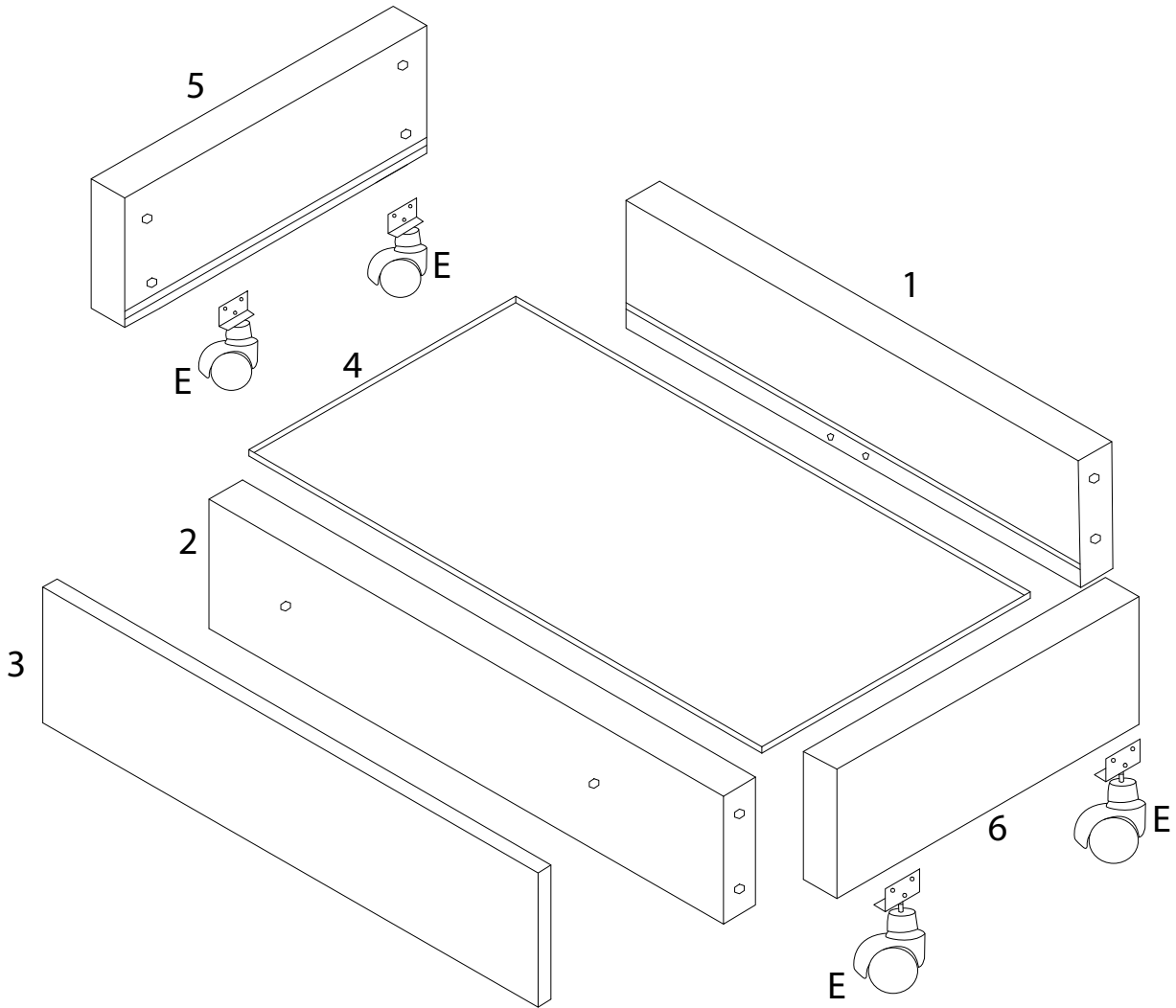
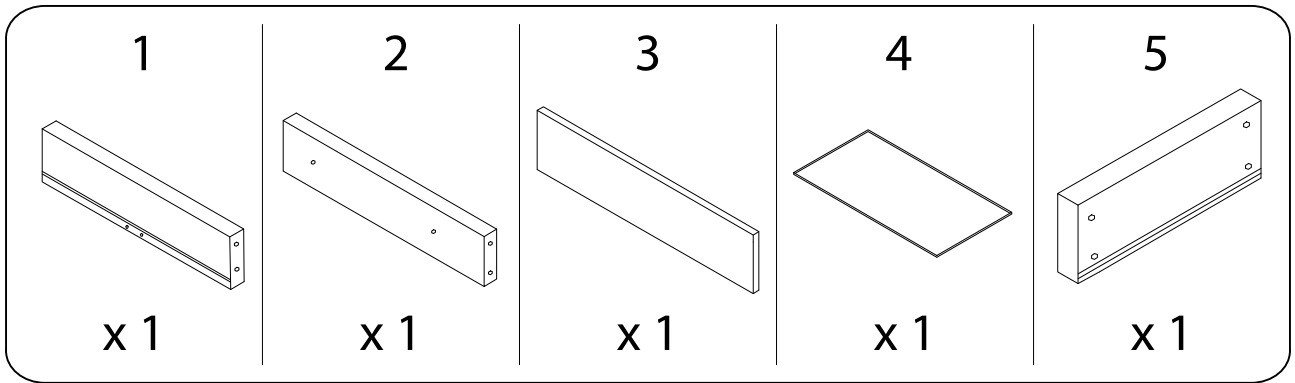
I



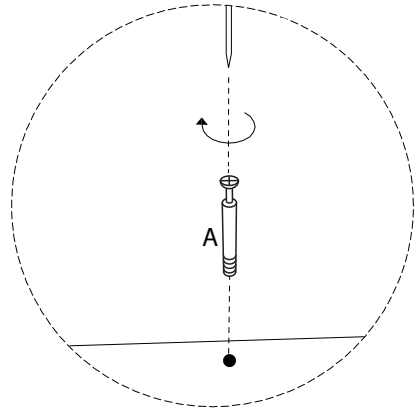
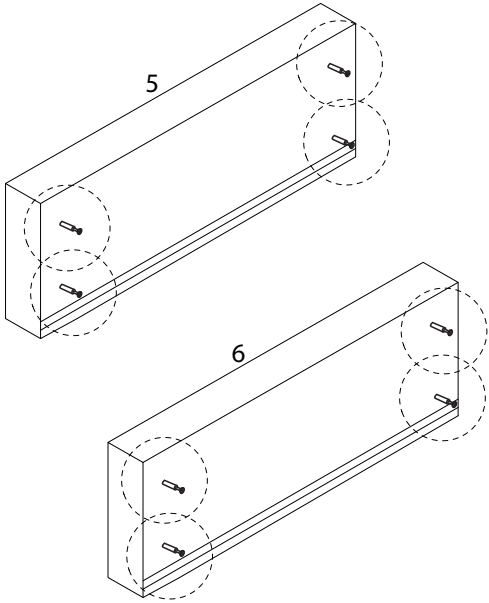
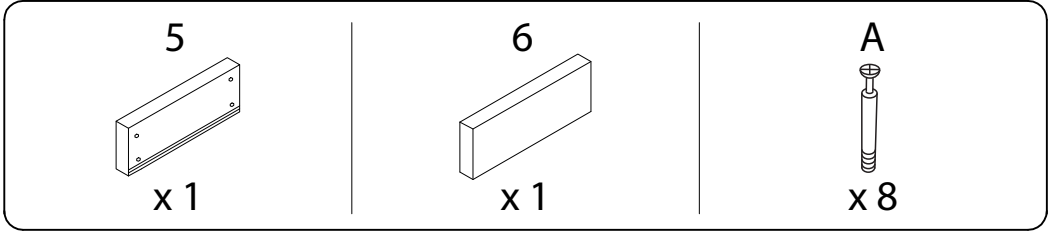
x 14



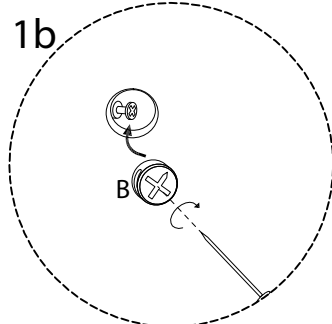
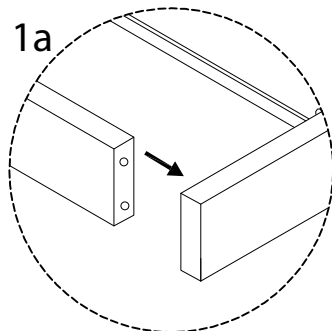
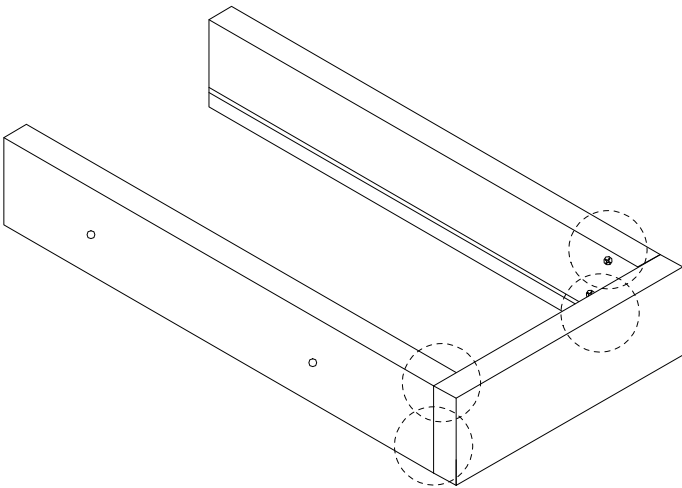
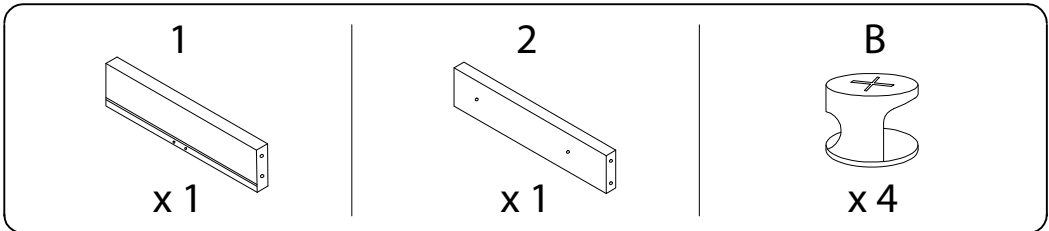
B x 2



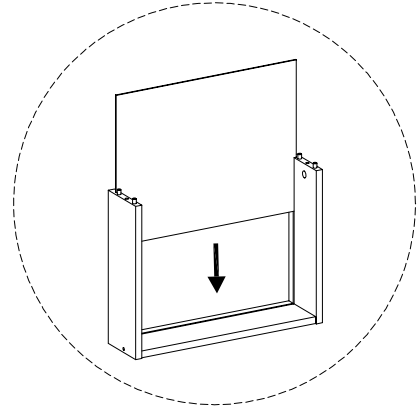
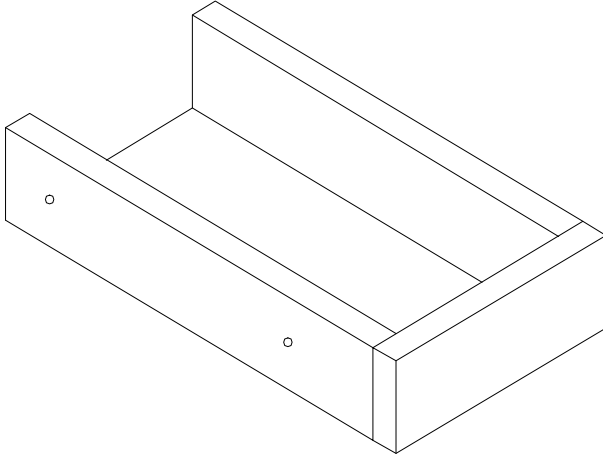
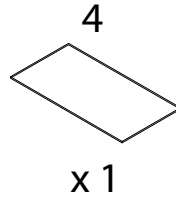
1



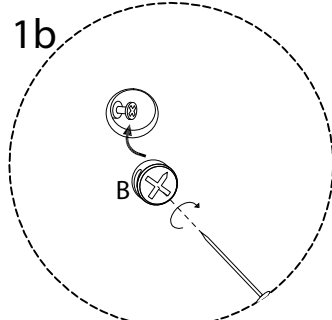
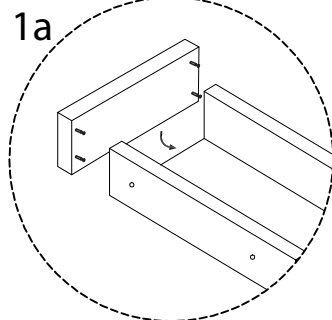
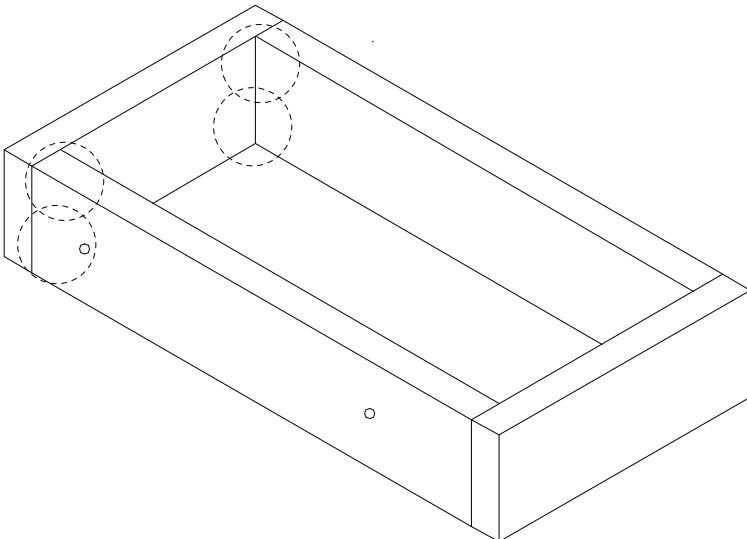
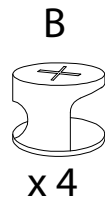
2



3



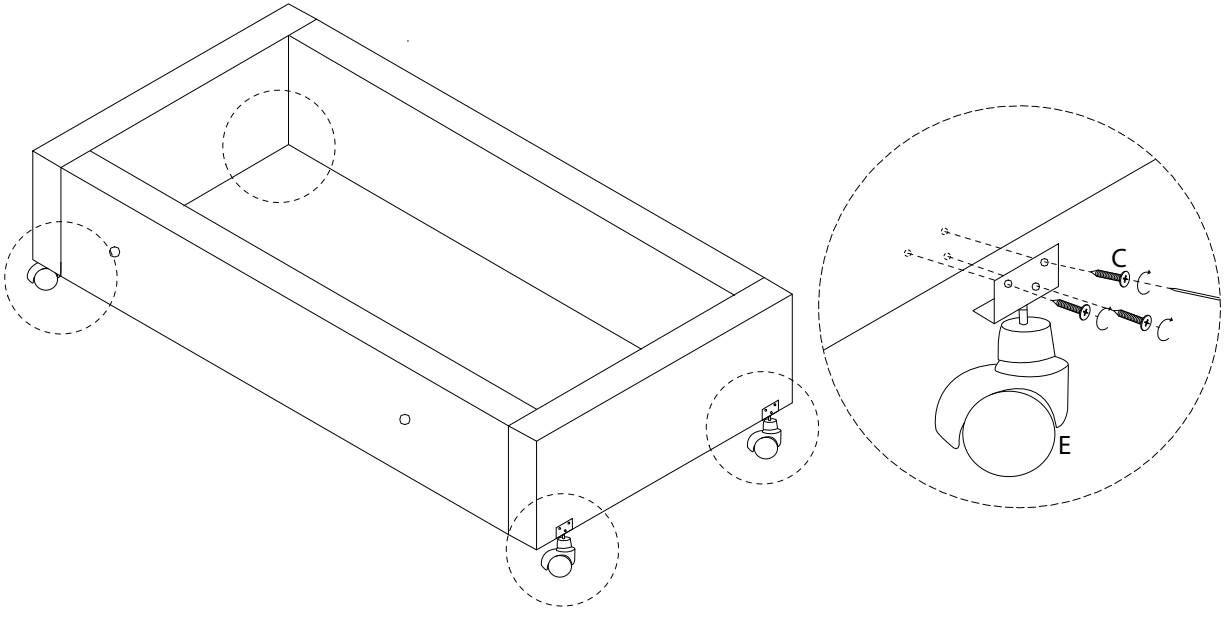
4



5

C
M3
x
12
x 12

E
x 4



6

3
x 1

D
M8
x
30
x 2

