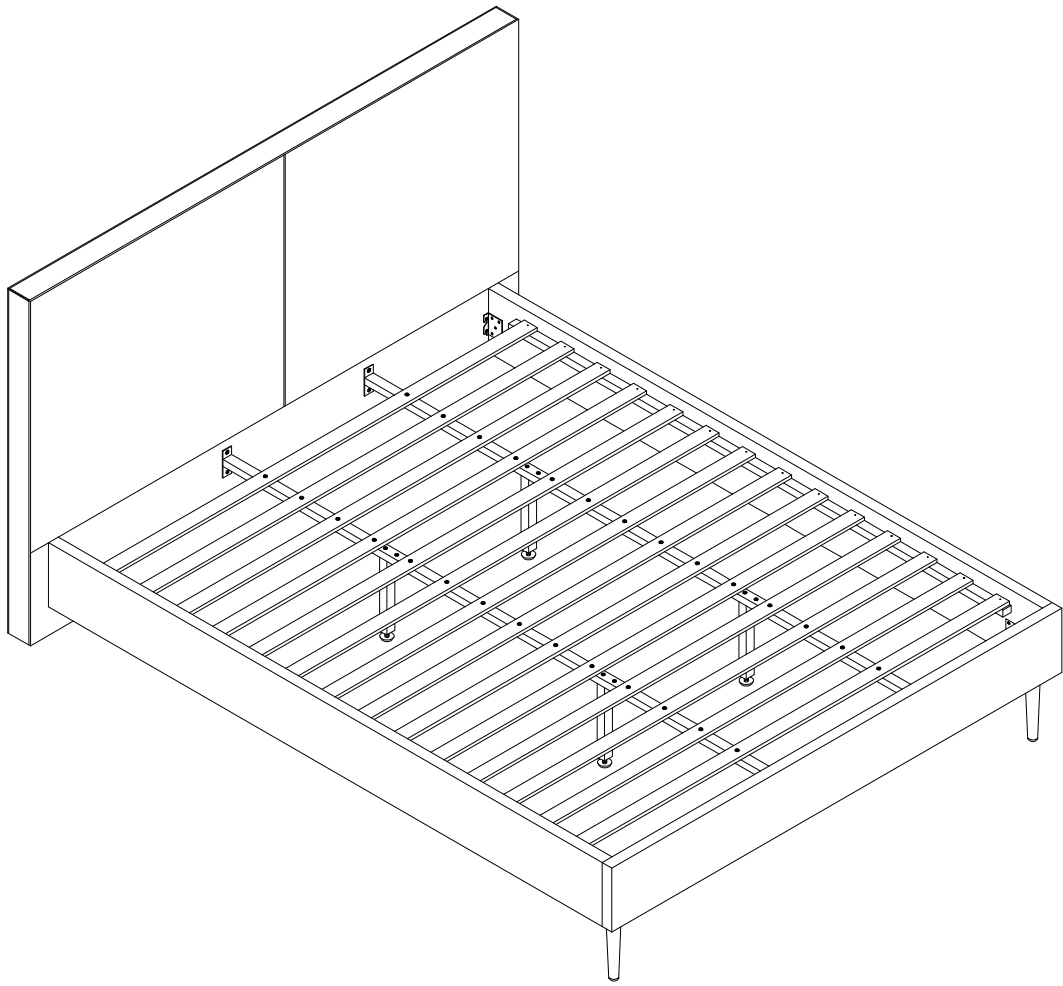
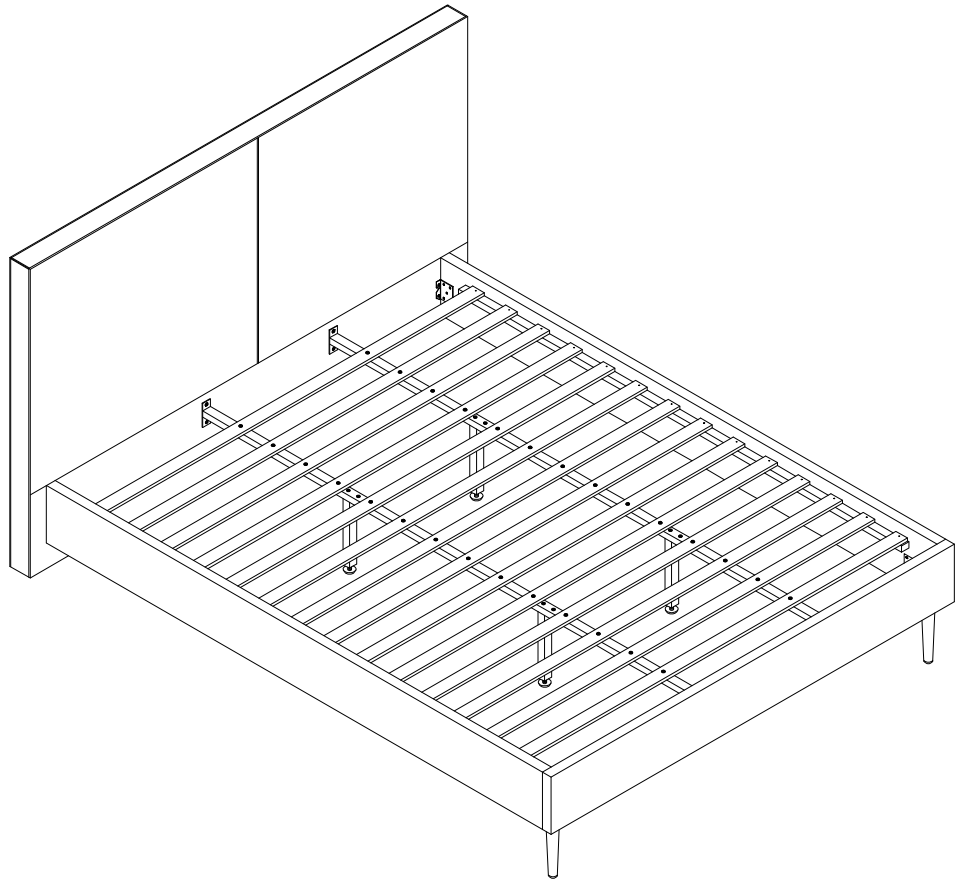


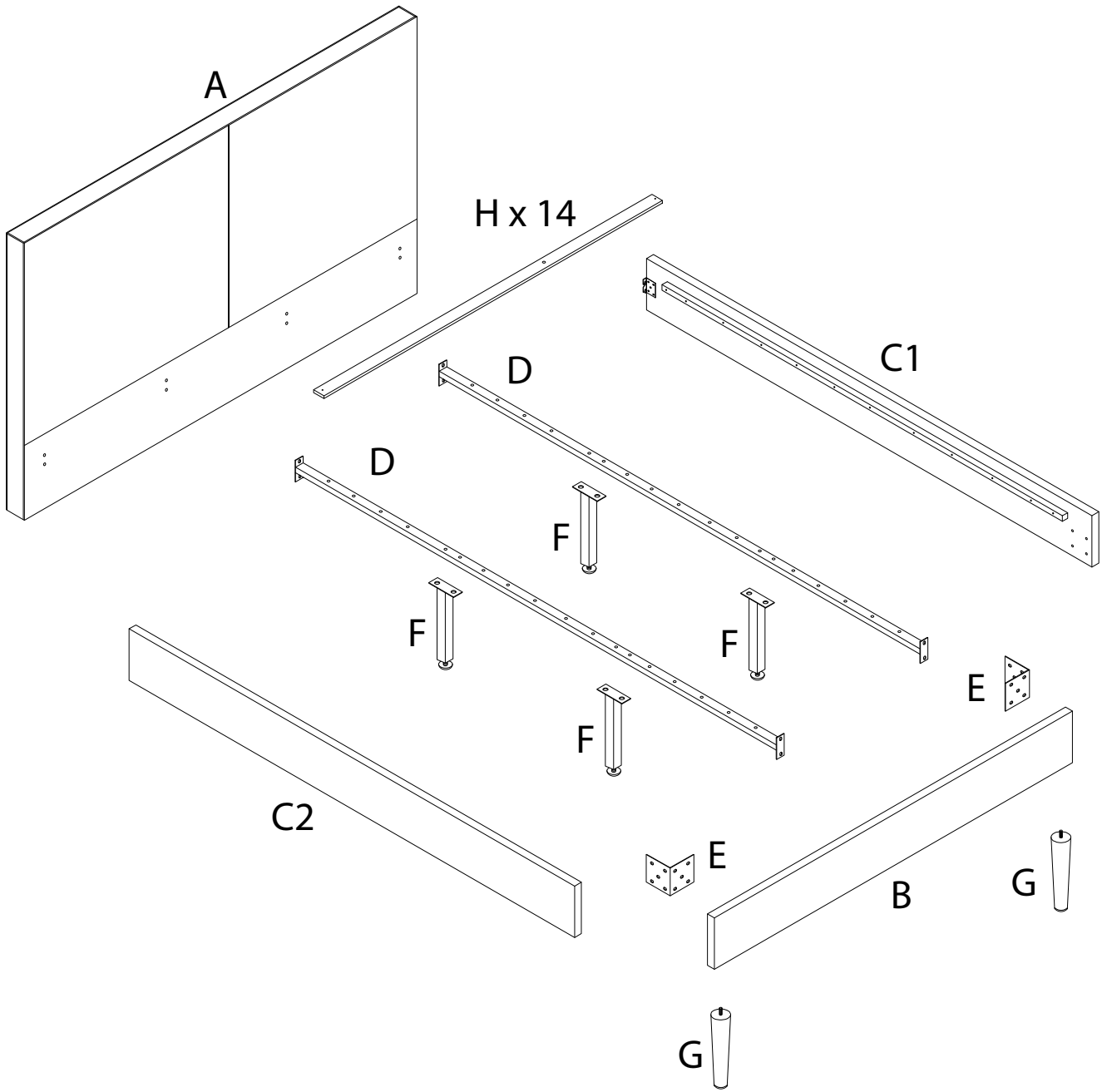
IZERNORE

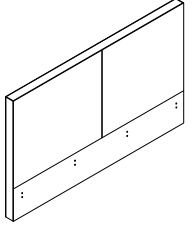
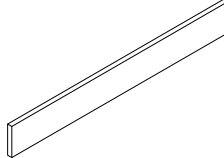
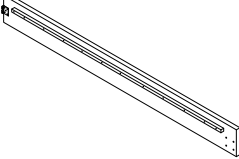
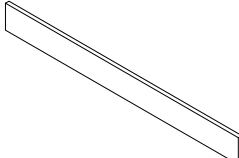
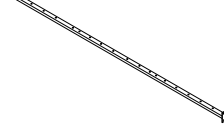




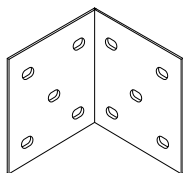
Assembly instructions for step 1/7:

- Tools:** A circle containing icons for an Allen key, a screwdriver, and a wrench. A power drill icon is crossed out with a diagonal line, indicating it should not be used.
- Warning:** A triangle with an exclamation mark.
- Time:** A clock icon with the number 40' below it, indicating an estimated assembly time of 40 minutes.
- Personnel:** A person icon with the number 2 below it, indicating that two people are required for assembly.



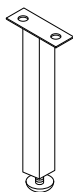
<p>A</p>  <p>x 1</p>	<p>B</p>  <p>x 1</p>	<p>C1</p>  <p>x 1</p>	<p>C2</p>  <p>x 1</p>	<p>D</p>  <p>x 2</p>
---	---	--	---	---

E



x 2

F



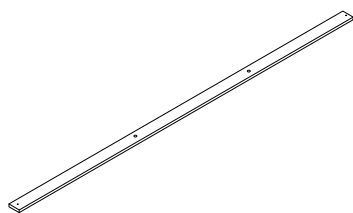
x 4

G



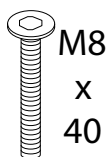
x 2

H



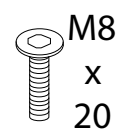
x 14

J



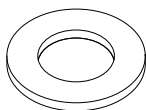
x 44

K



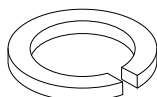
x 20

L



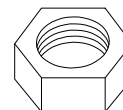
x 66

M



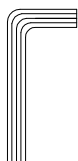
x 38

N



x 38

O



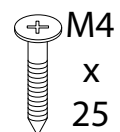
x 1

P




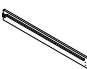

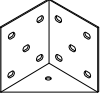

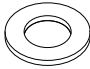
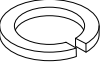

x 1

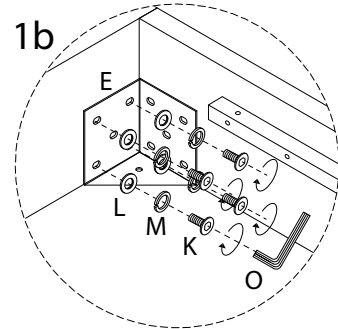
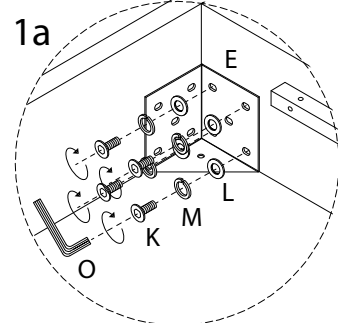
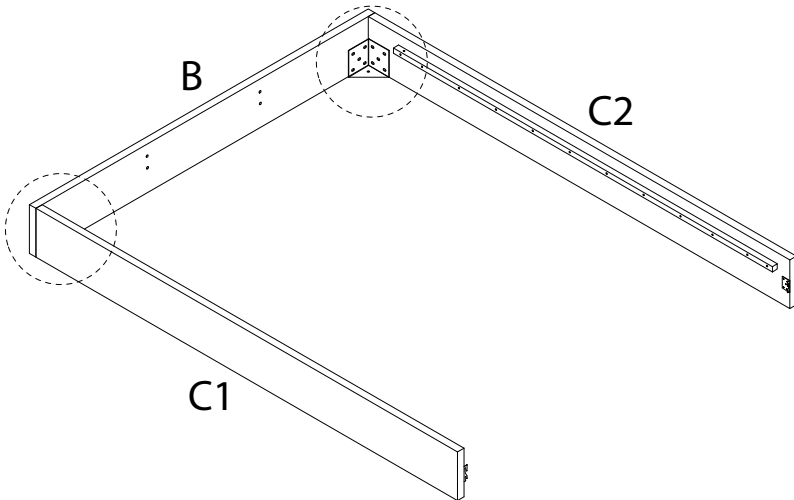
Q





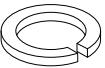
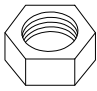

x 28

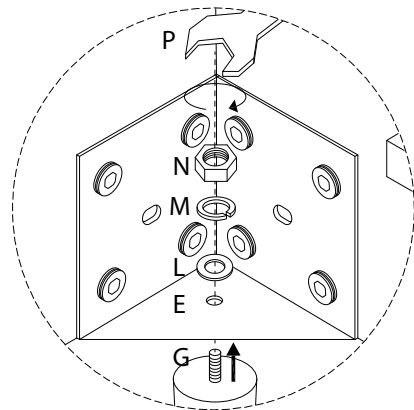
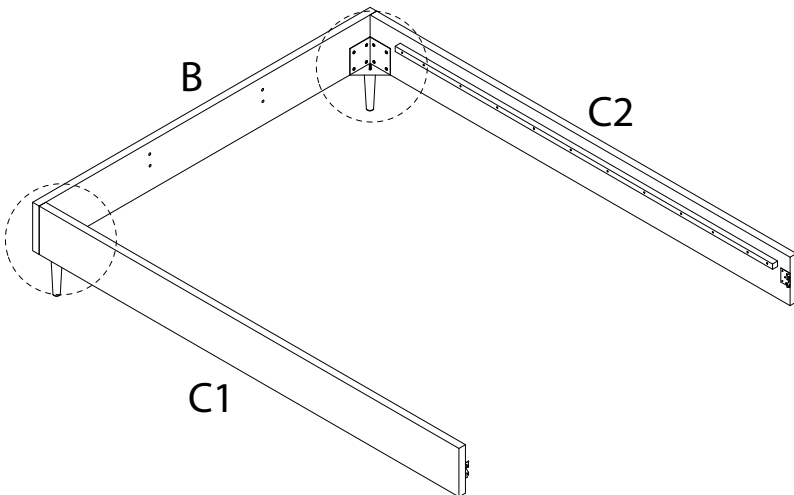
1

B  x 1	C1  x 1	C2  x 1	E  x 2	K  x 16	L  x 16	M  x 16	O  x 1
--	---	---	--	---	---	---	--

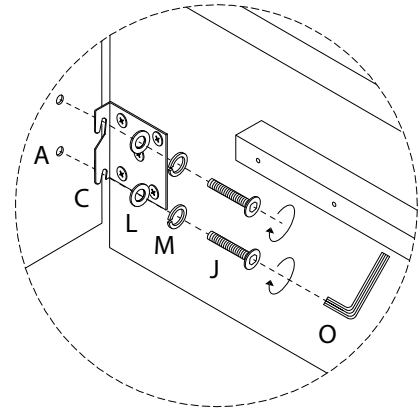
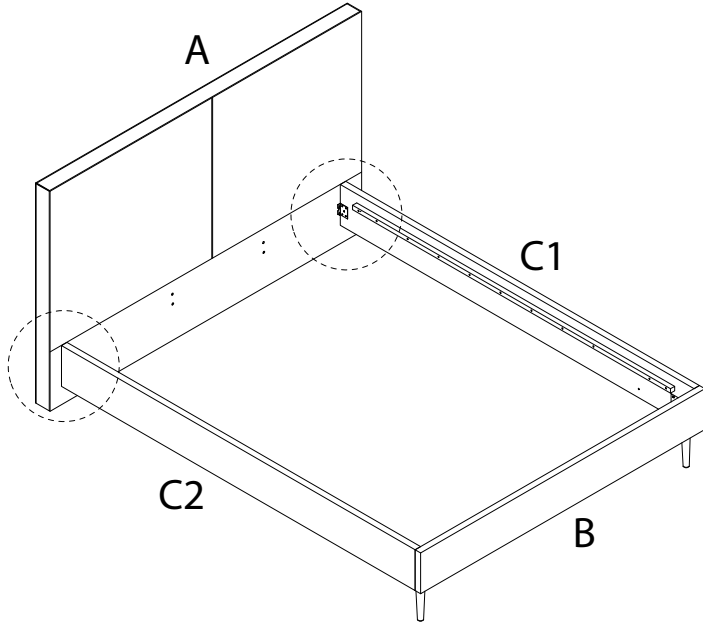
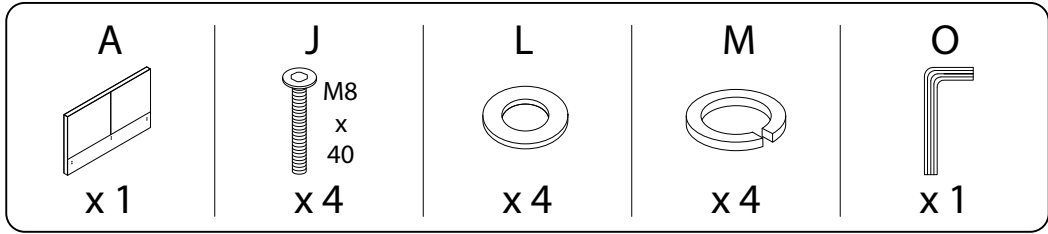


2

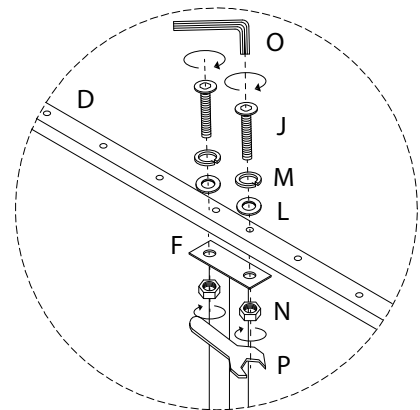
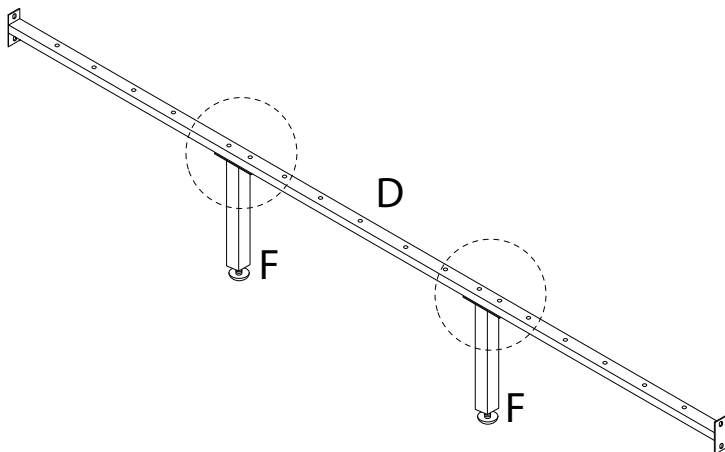
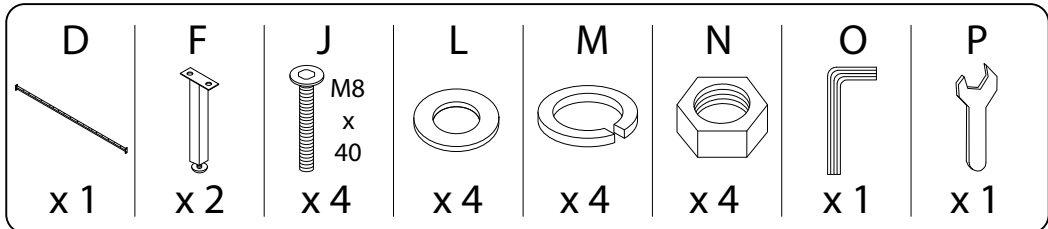
G  x 2	L  x 2	M  x 2	N  x 2	P  x 1
--	--	--	--	--



3



4 x 2



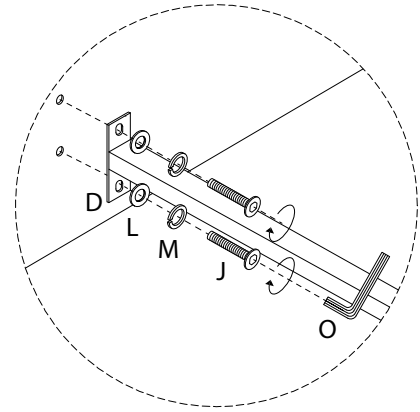
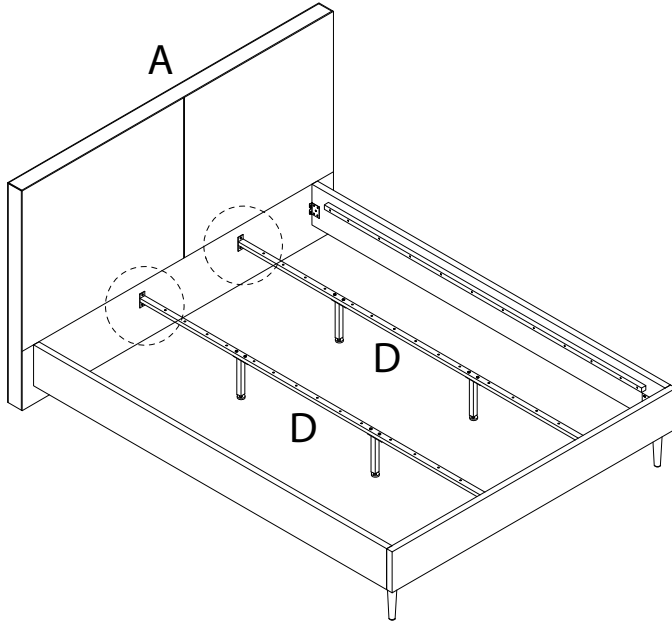
5

J
M8
x
40
x 4

L
x 4

M
x 4

O
x 1



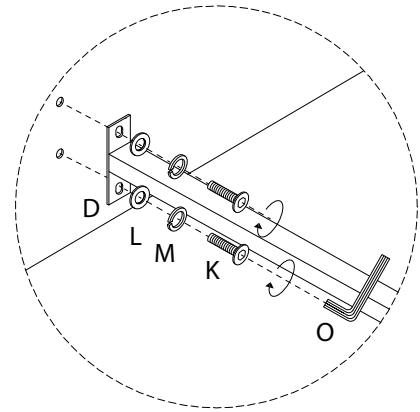
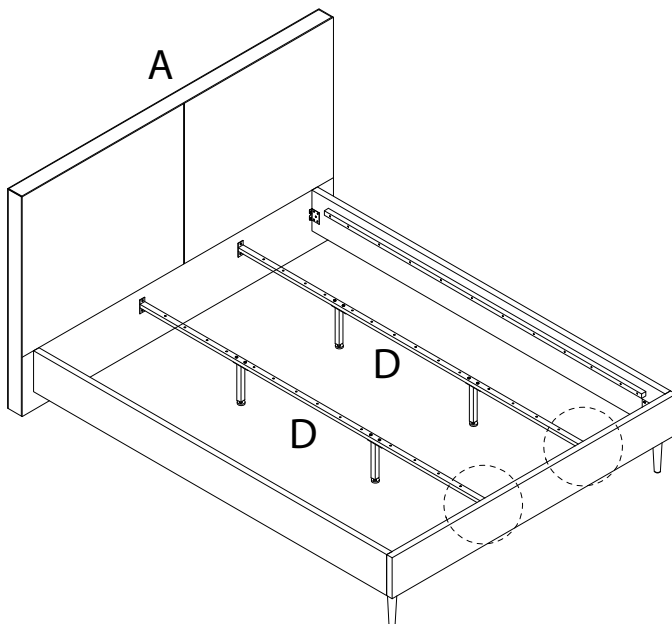
6

K
M8
x
20
x 4

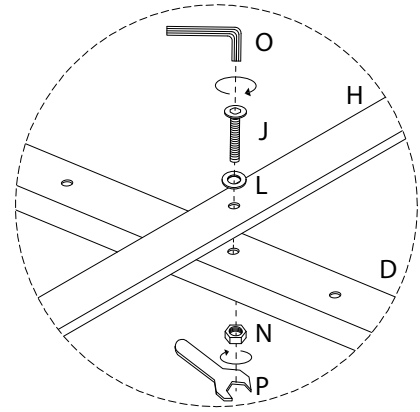
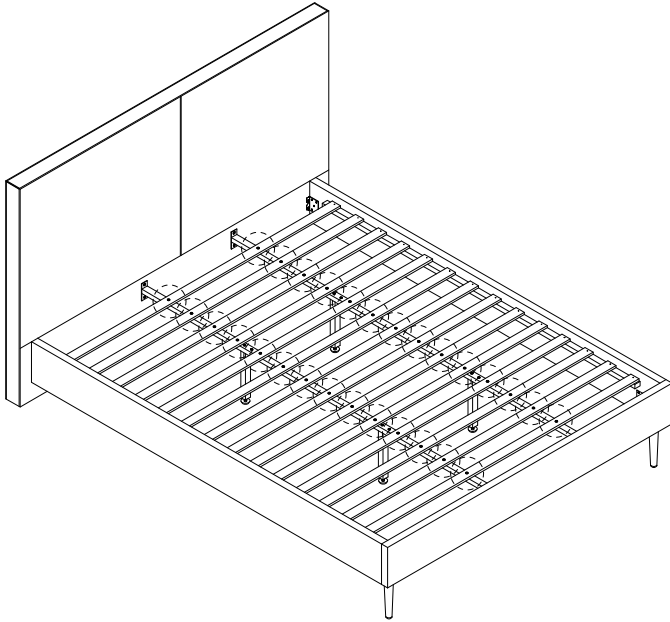
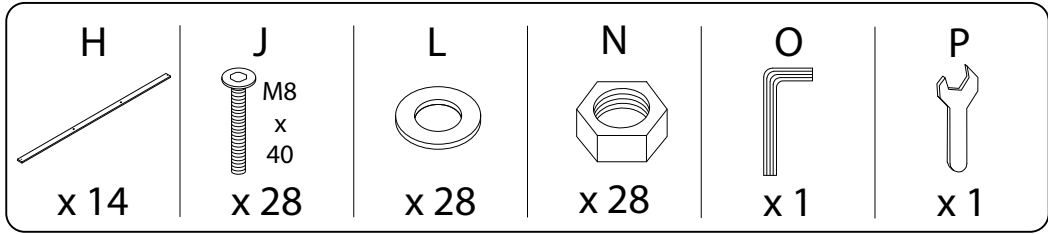
L
x 4

M
x 4

O
x 1



7



8

