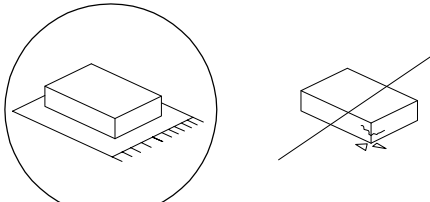

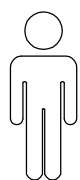
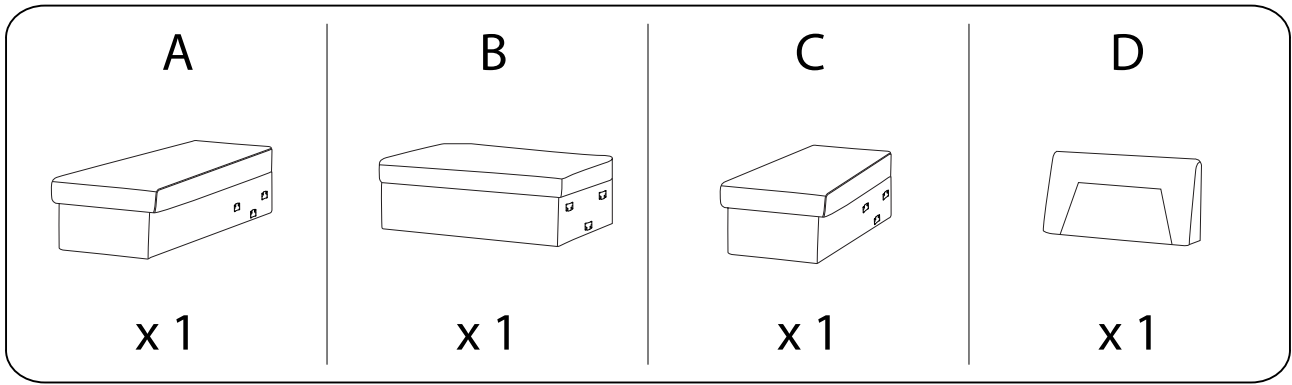
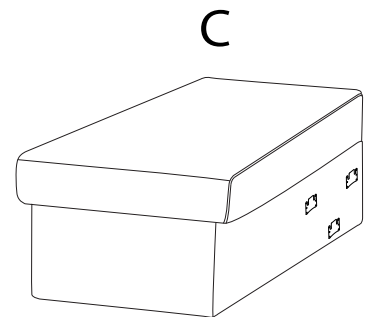
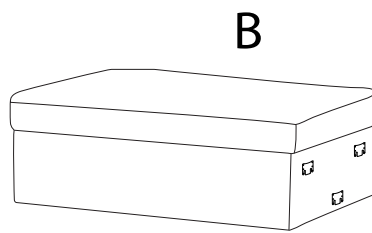
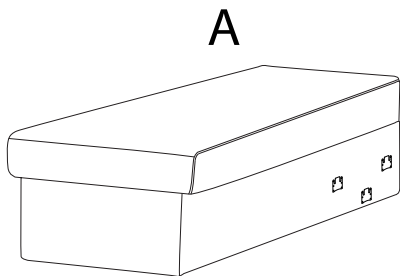
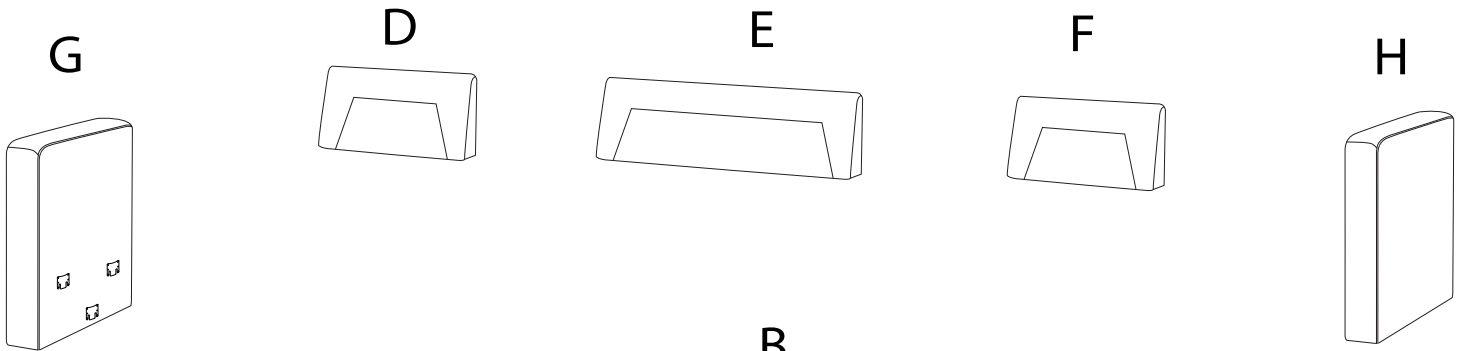
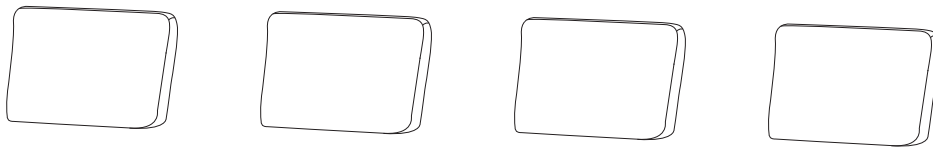
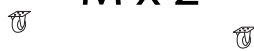

		40'
		
		1



J x 4



M x 2



K x 16

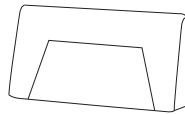


E



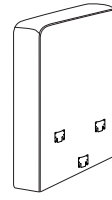
x 1

F



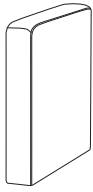
x 1

G



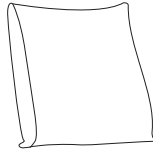
x 1

H



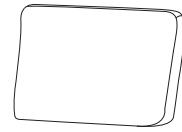
x 1

I



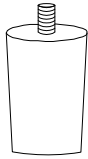
x 2

J



x 4

K



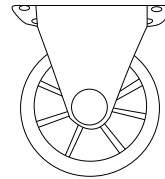
x 16

L



x 8

M



x 2

1

G

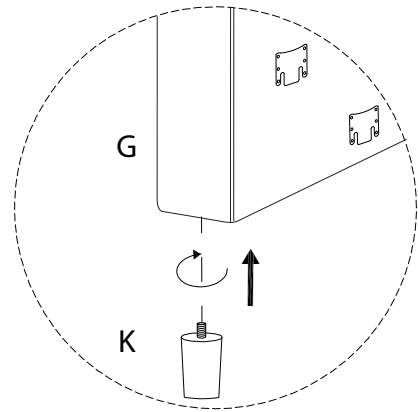
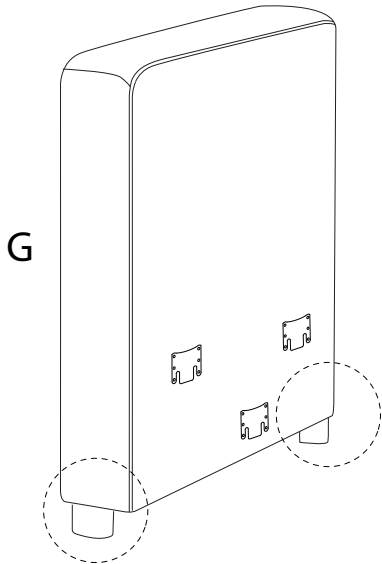


x 1

K

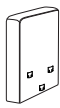


x 2



2

H

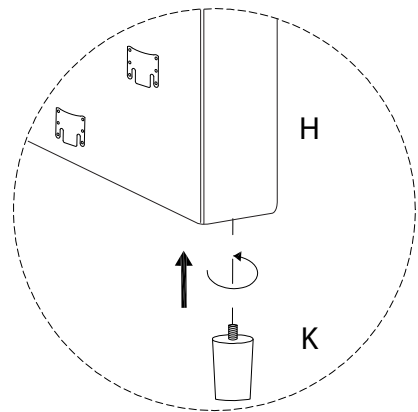
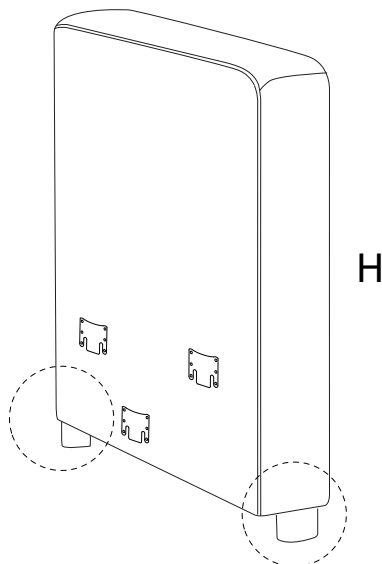


x 1

K

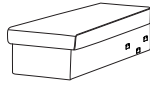


x 2



3

A

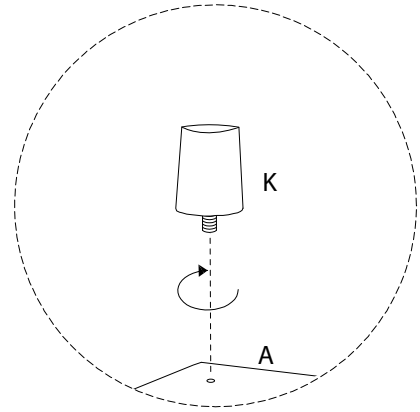
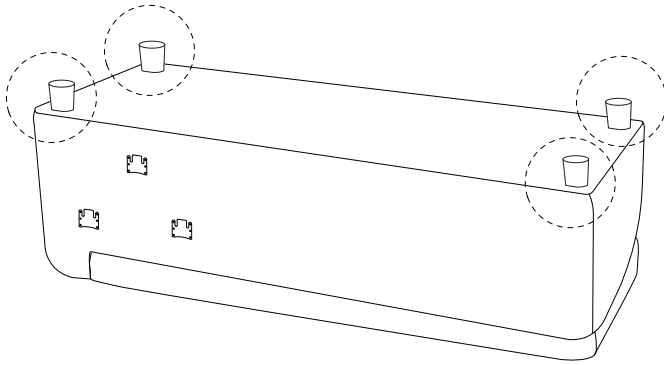


x 1

K

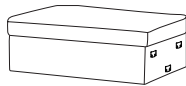


x 4



4

B



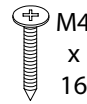
x 1

K



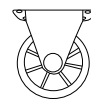
x 4

L

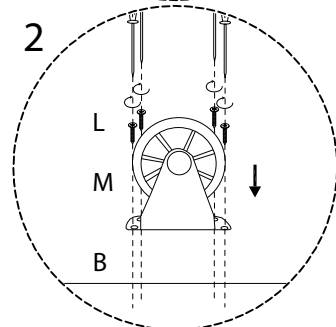
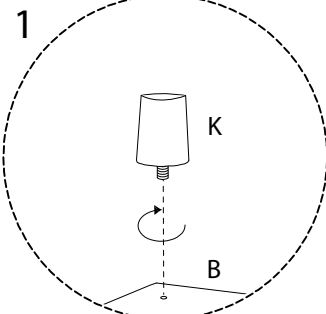
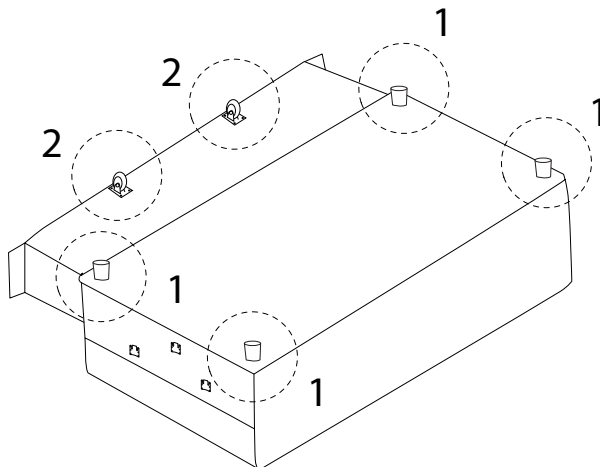


x 8

M

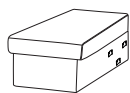


x 2



5

C

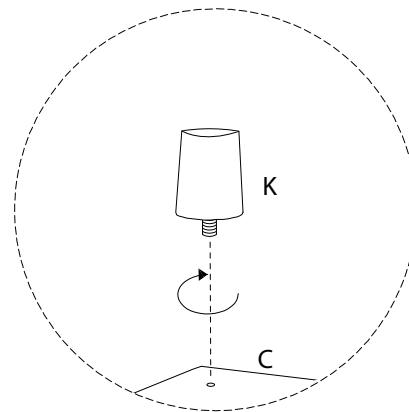
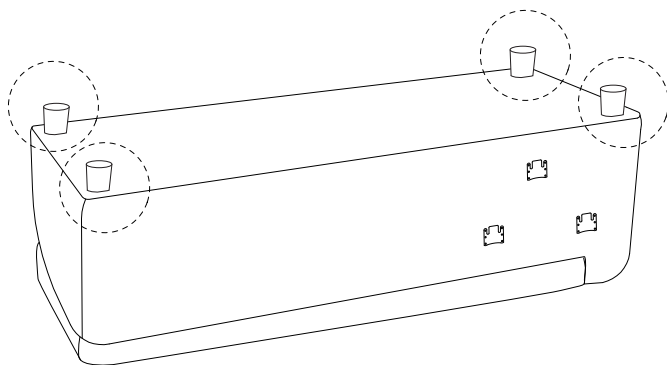


x 1

K



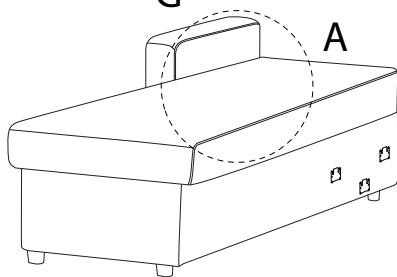
x 4



6

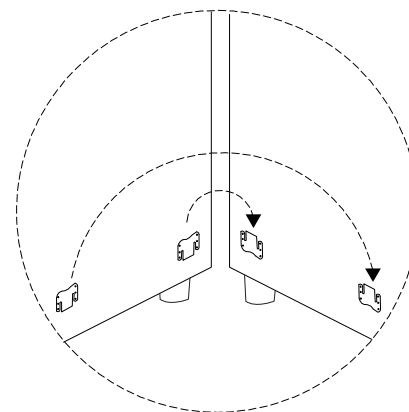
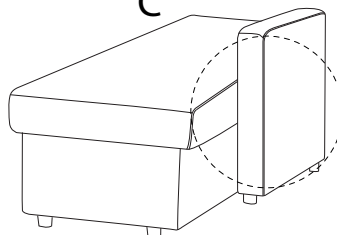
G

A

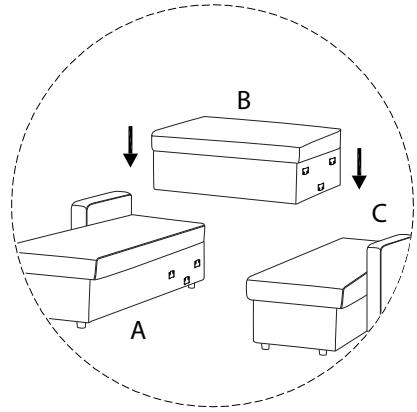
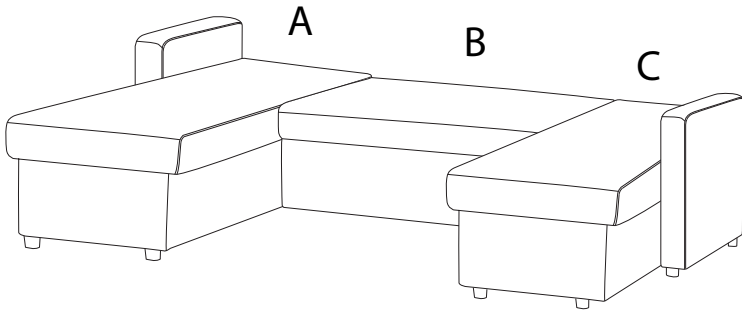


C

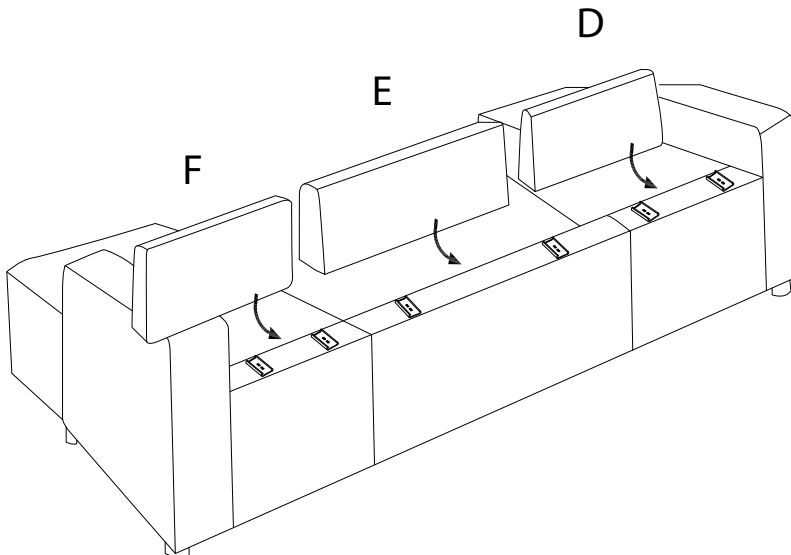
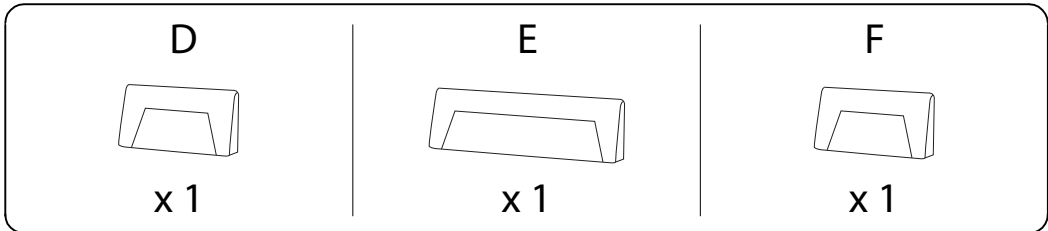
H



7



8



9

