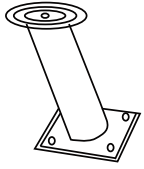
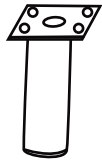


ASSEMBLY INSTRUCTION

PARTS AND HARDWARE



Front Leg
2x



Rear Leg
2x



Steel Nail
16x

DIAGRAM 1

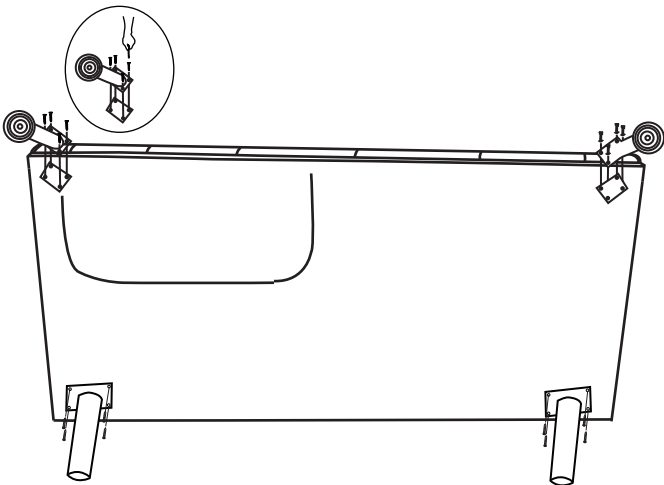


DIAGRAM 2

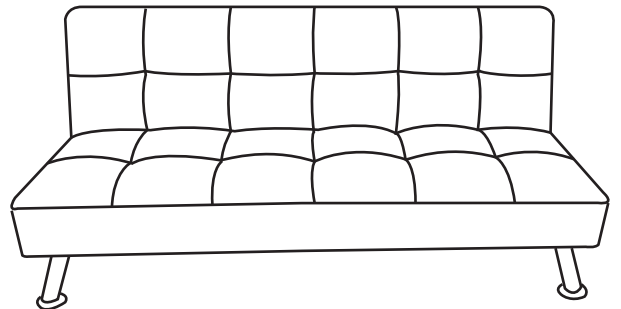


DIAGRAM 3

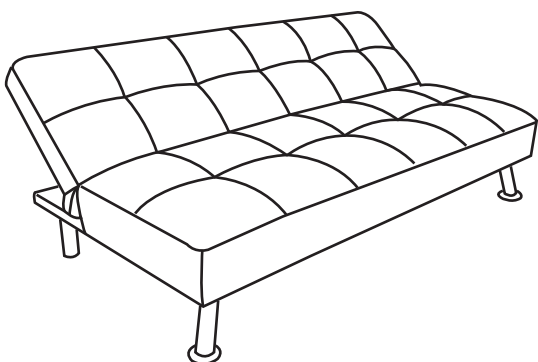


DIAGRAM 4

