

A

B

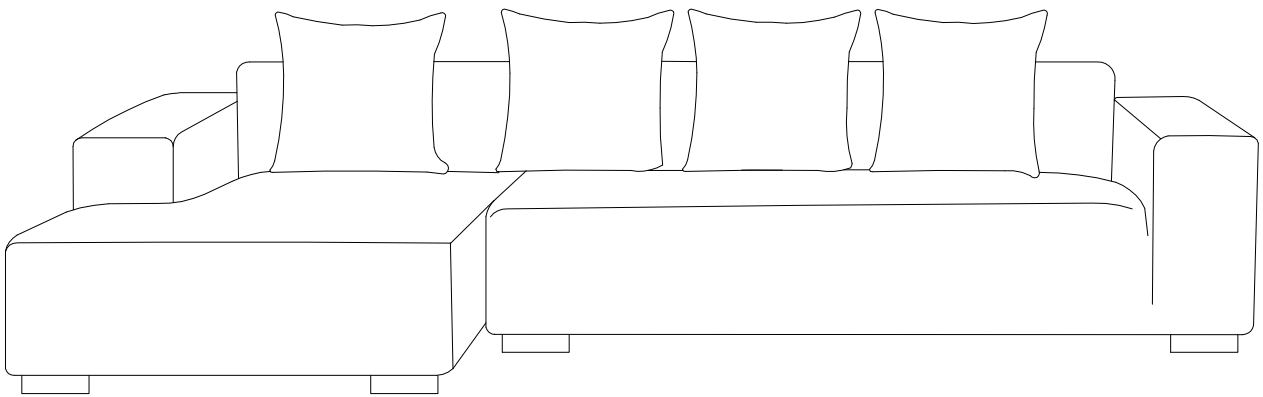
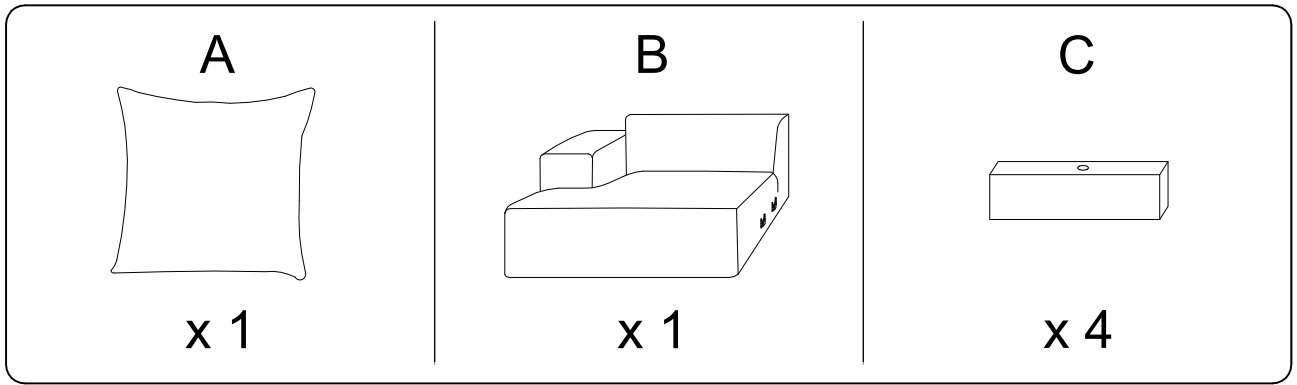


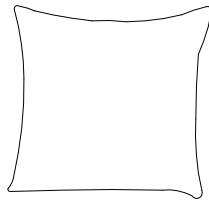
Diagram illustrating assembly instructions and safety warnings:

- Warning 1:** A triangle with an exclamation mark points to a box containing:
 - An icon of an L-shaped metal bracket.
 - An icon of a power drill with a slash through it, indicating that a power drill should not be used.
- Warning 2:** A triangle with an exclamation mark points to a box containing:
 - An icon of a rectangular block being placed on a textured surface.
 - An icon of a rectangular block with a slash through it, indicating that the block should not be placed on a hard surface.
- Time:** A clock icon is shown next to the text "15'", indicating a 15-minute assembly time.
- Personnel:** An icon of a person is shown next to the number "2", indicating that two people are required for assembly.

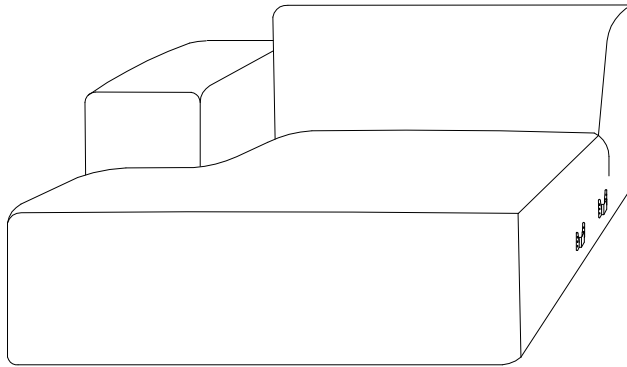
A



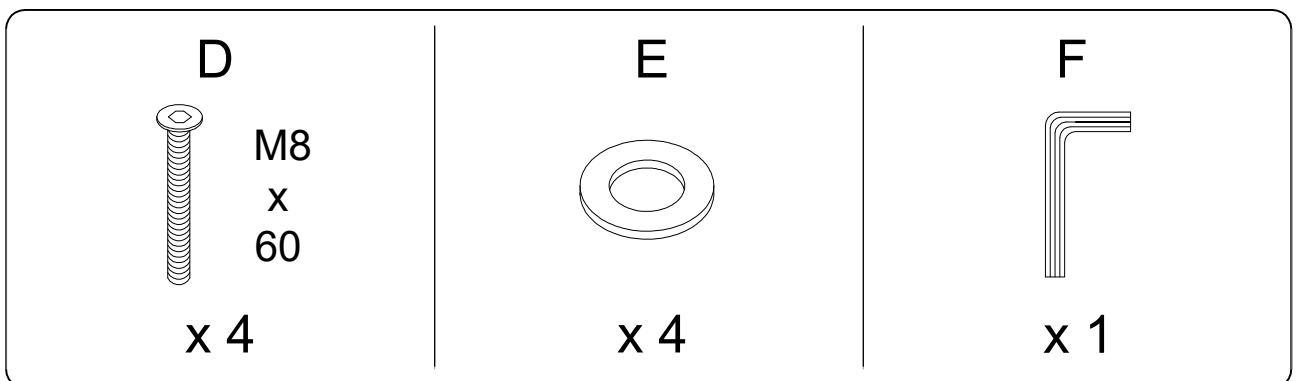
A



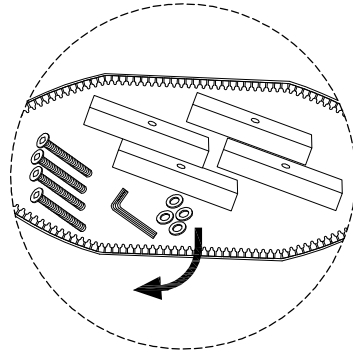
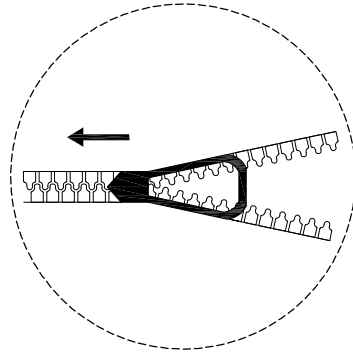
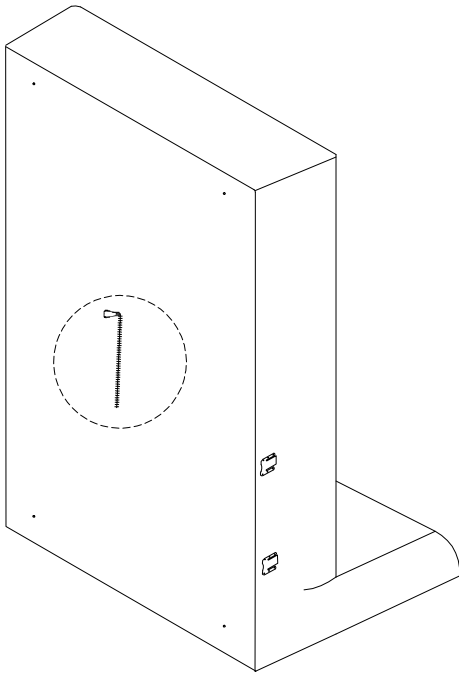
B



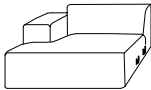
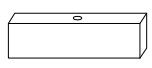
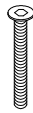
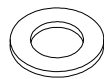
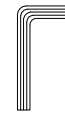
C x 4

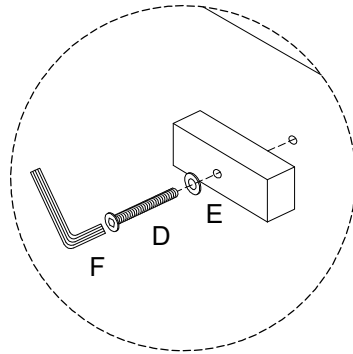
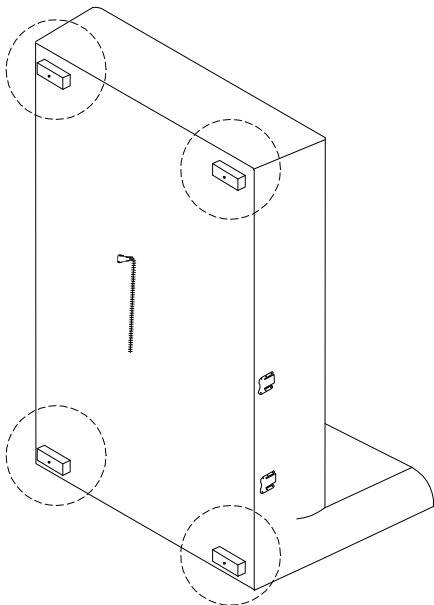


!

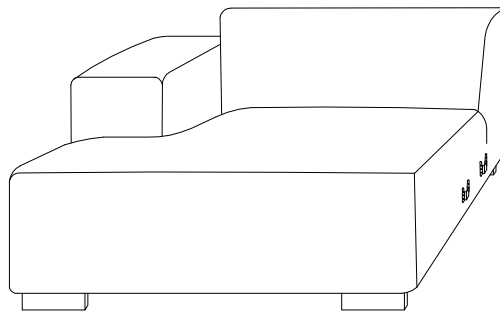
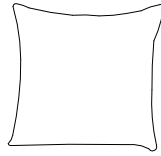
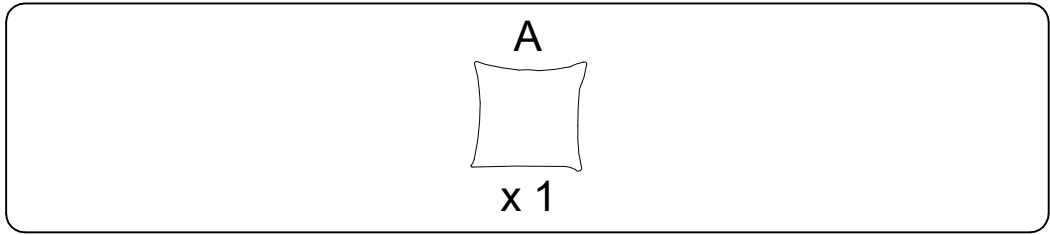


1

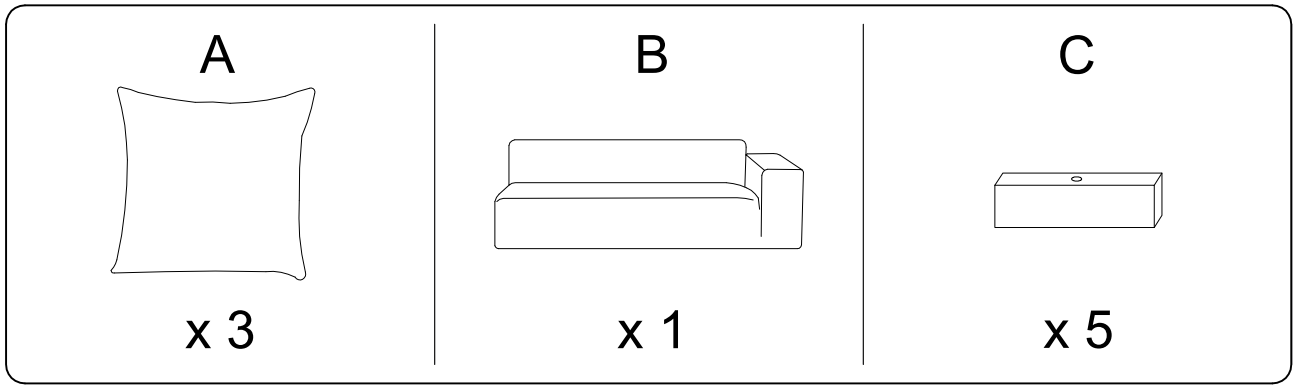
B  x 1	C  x 1	D  M8 x 60 x 4	E  x 4	F  x 1
--	--	---	--	--



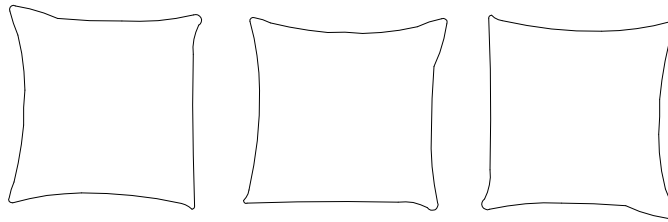
2



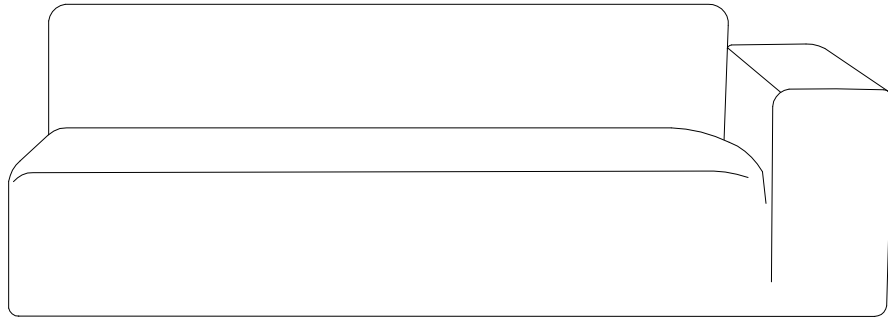
B



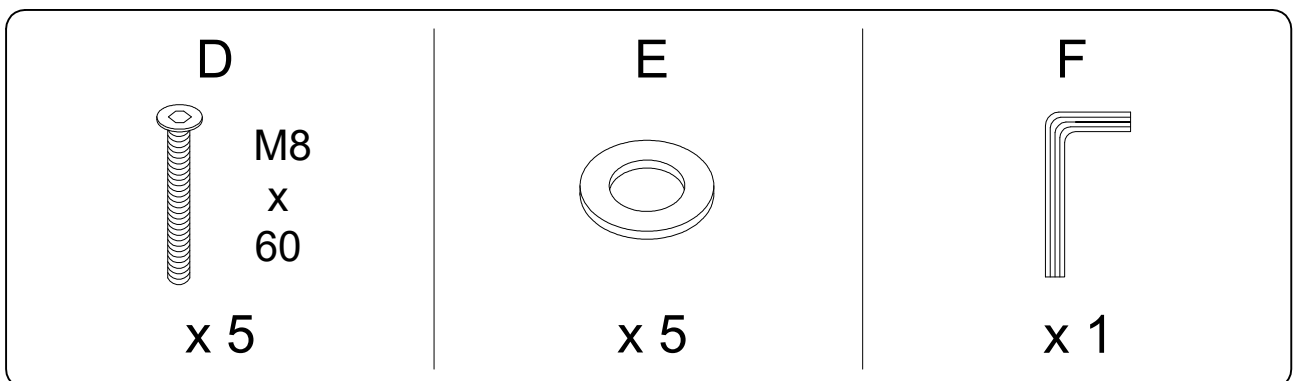
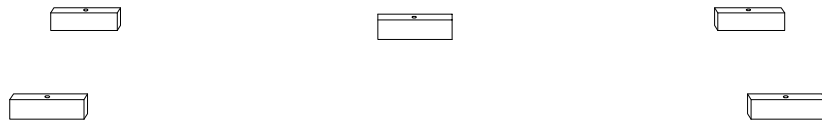
A x 3



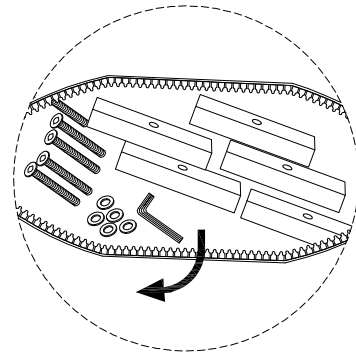
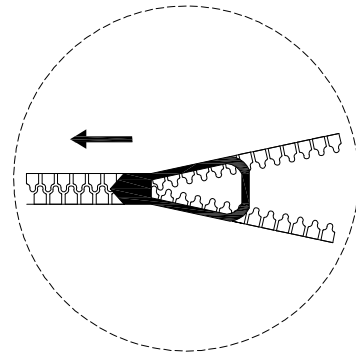
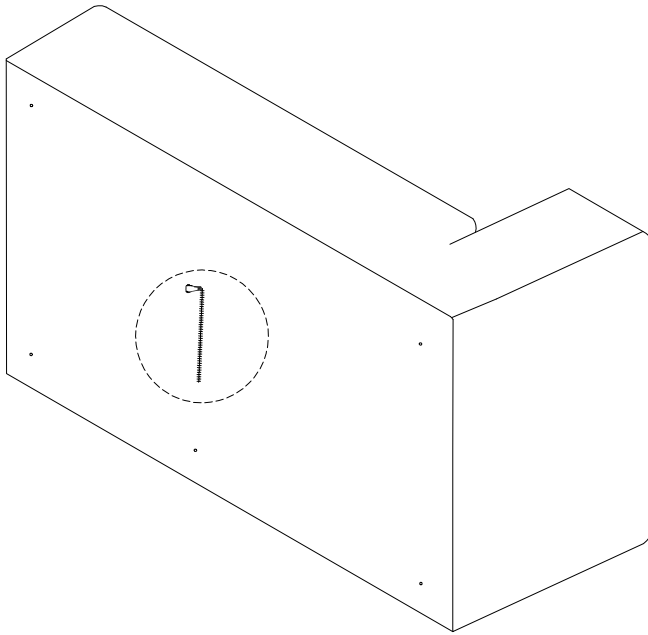
B



C x 5

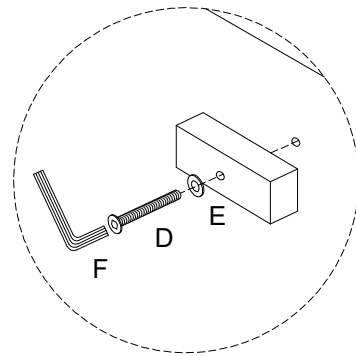
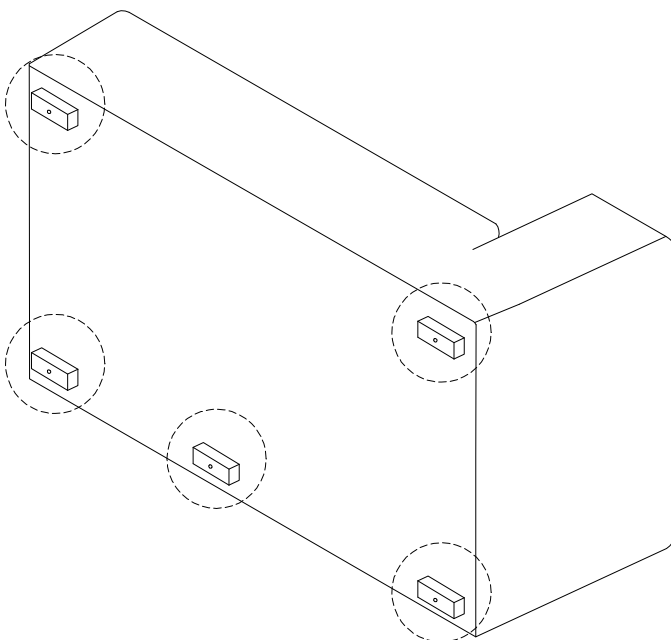


!

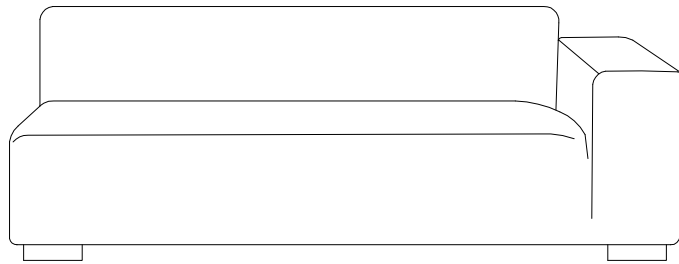
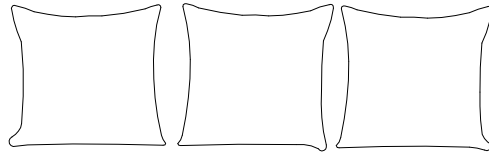
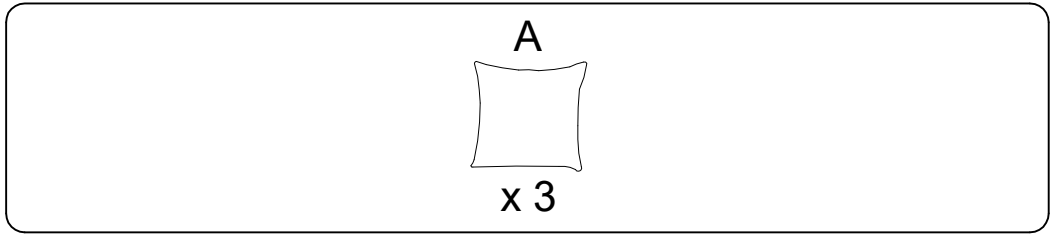


1

B x 1	C x 1	D M8 x 60 x 5	E x 5	F x 1
---------------------	---------------------	-----------------------------------	---------------------	---------------------



2



!

