







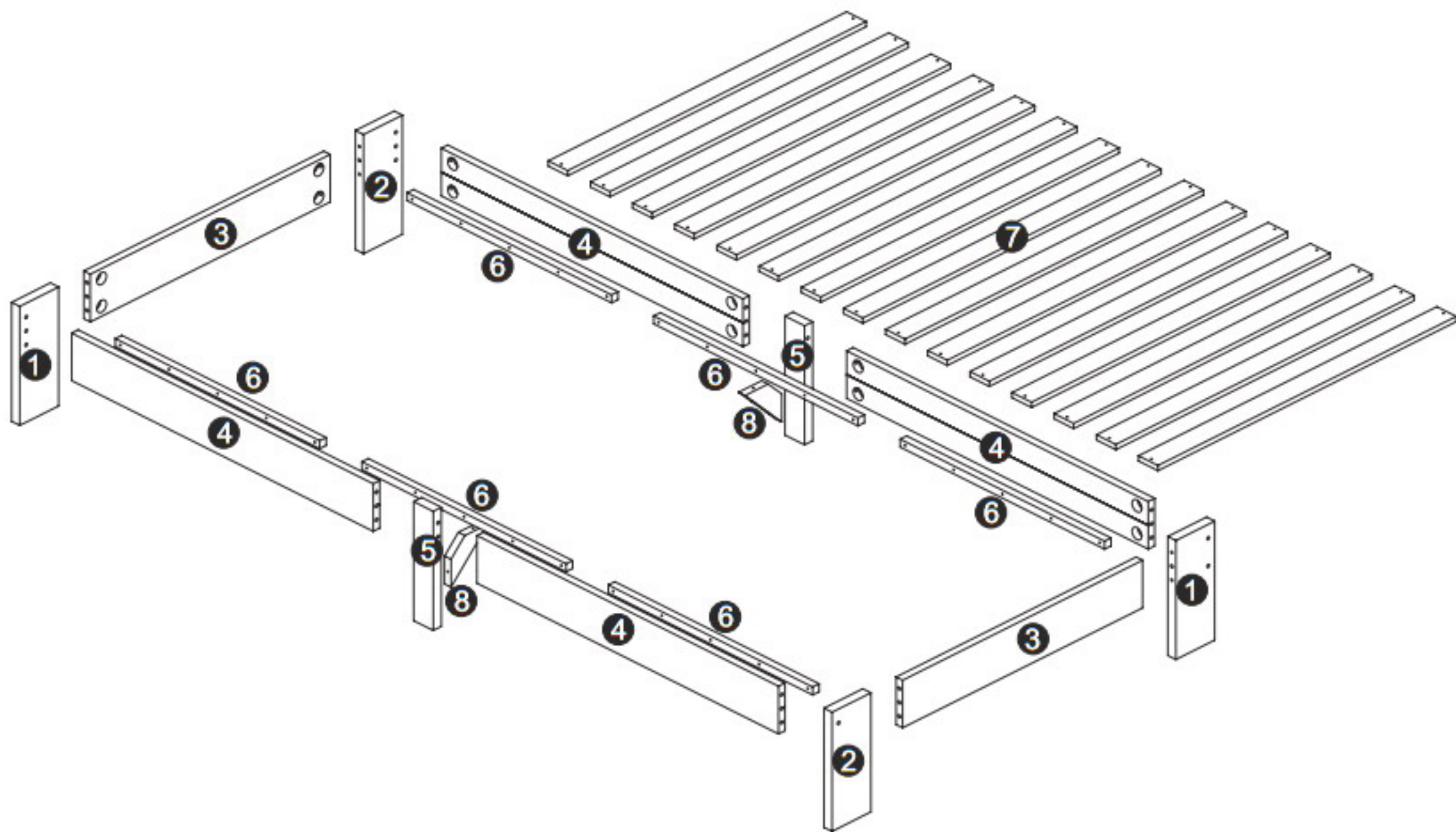
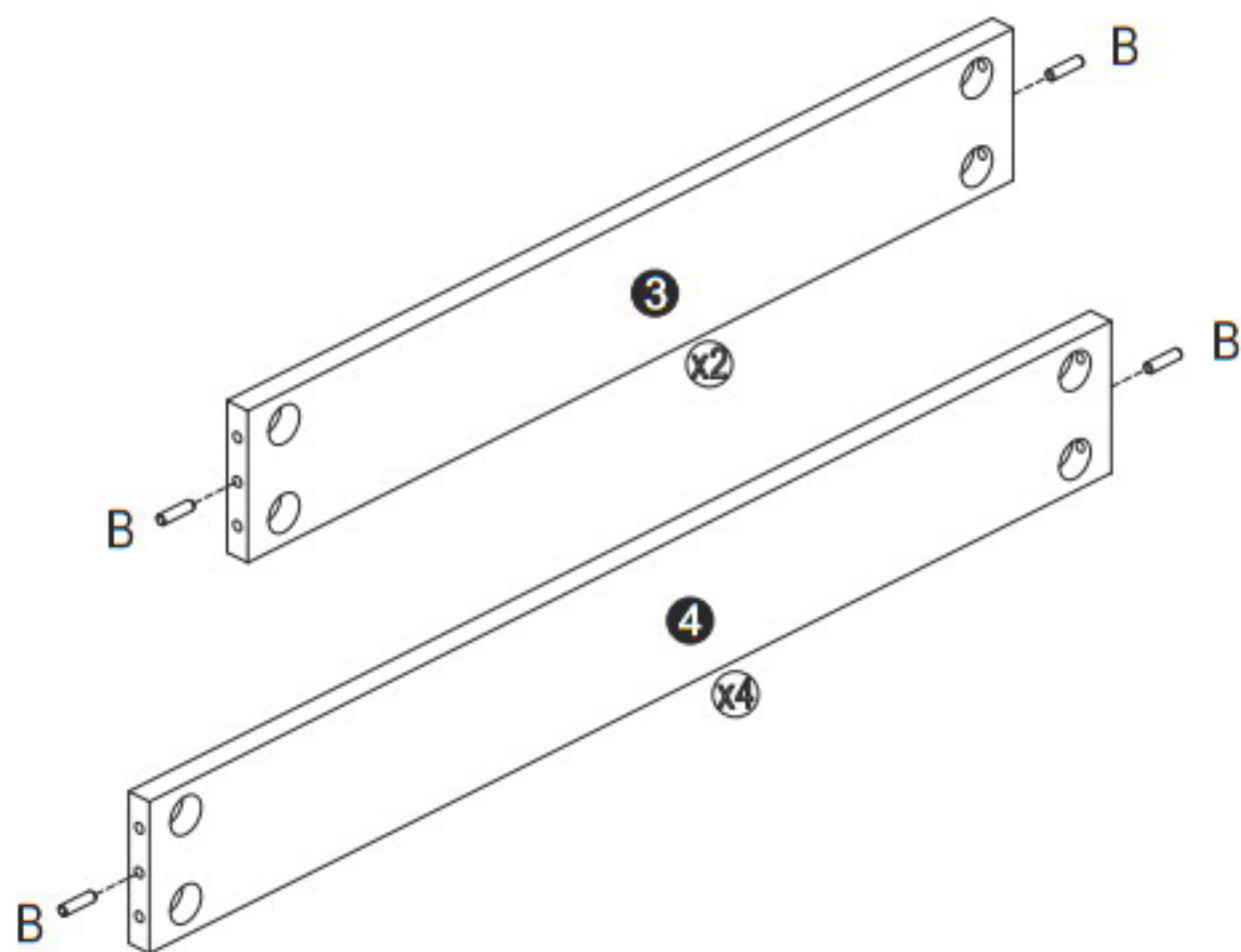



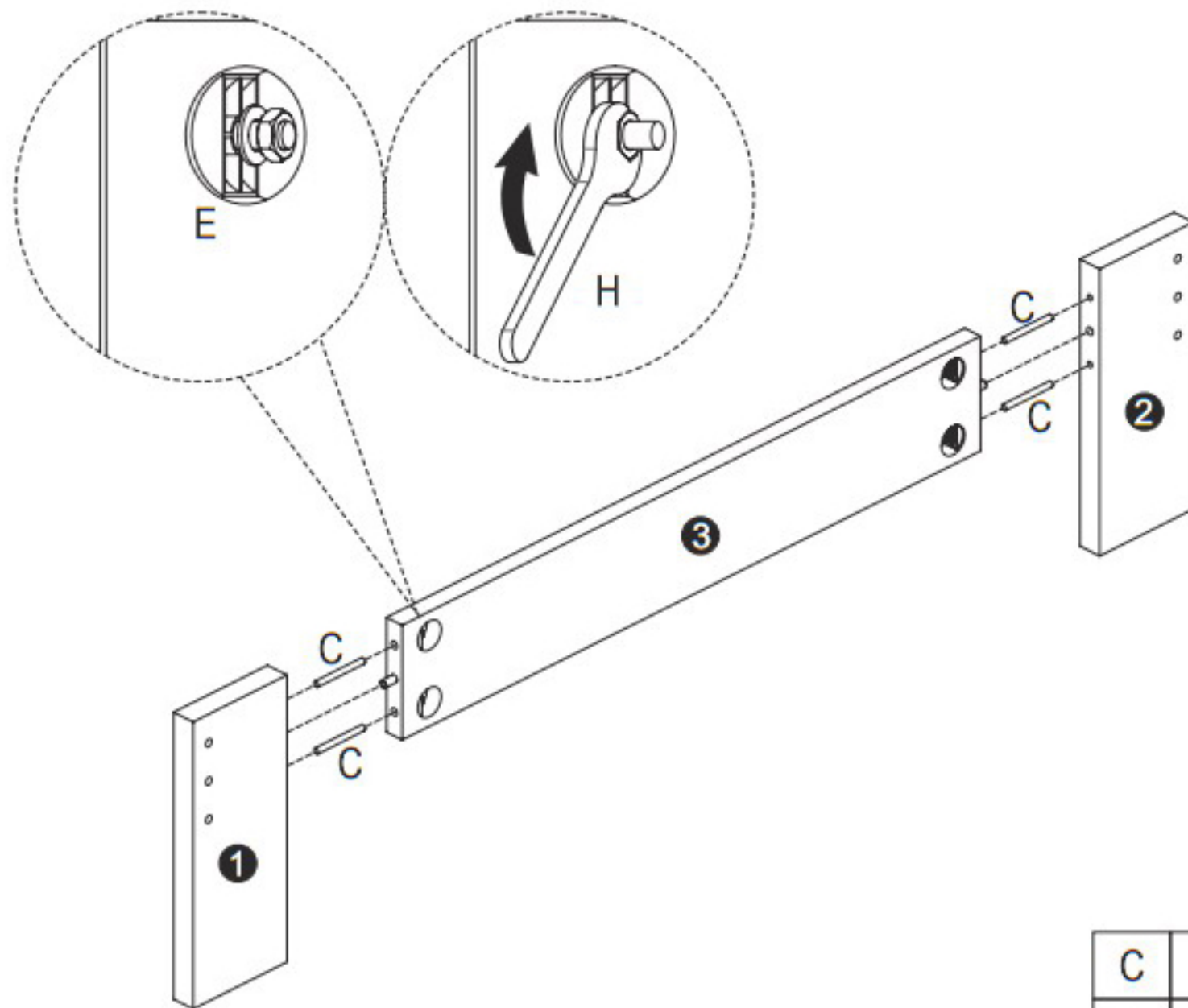
A	 M6x70	8
B	 Φ8x30	12
C	 M6x60	8
D	 M6x140	4
E		24
F	 Φ4x30	64
G		1
H		1






STEP 1



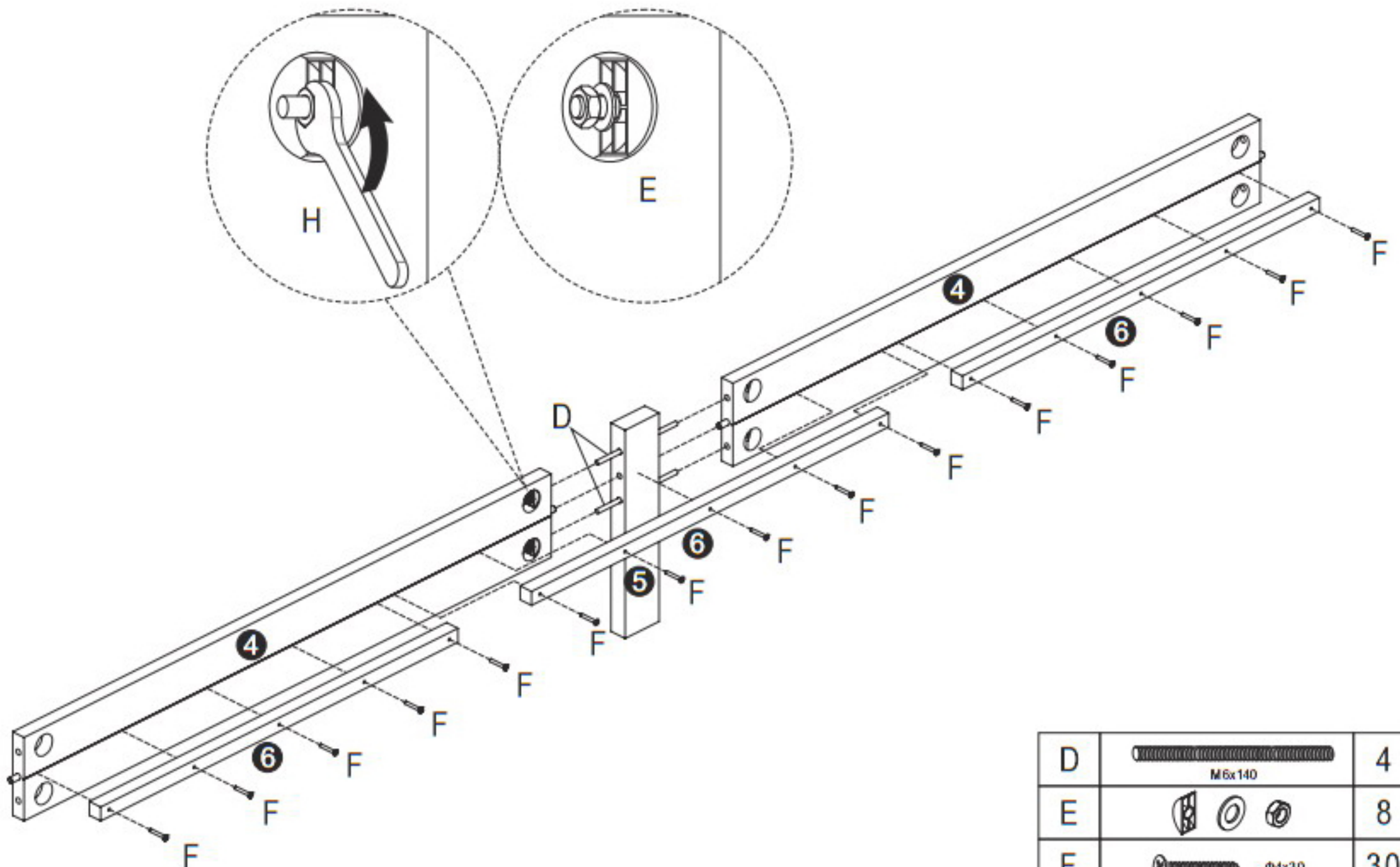
STEP 2 







Page 1 of 6

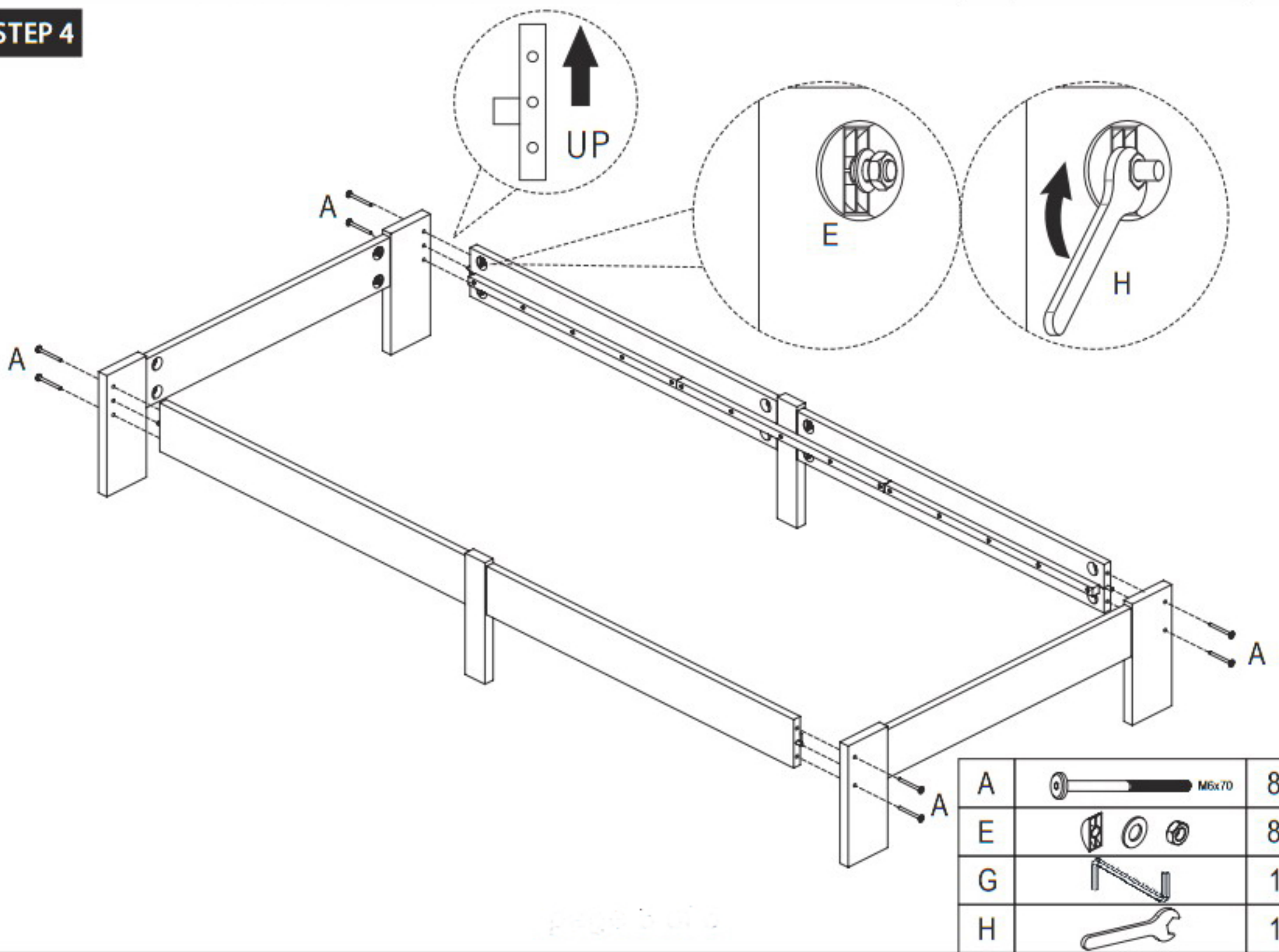
C	 M6x60	8
E		8
H		1

STEP 3 

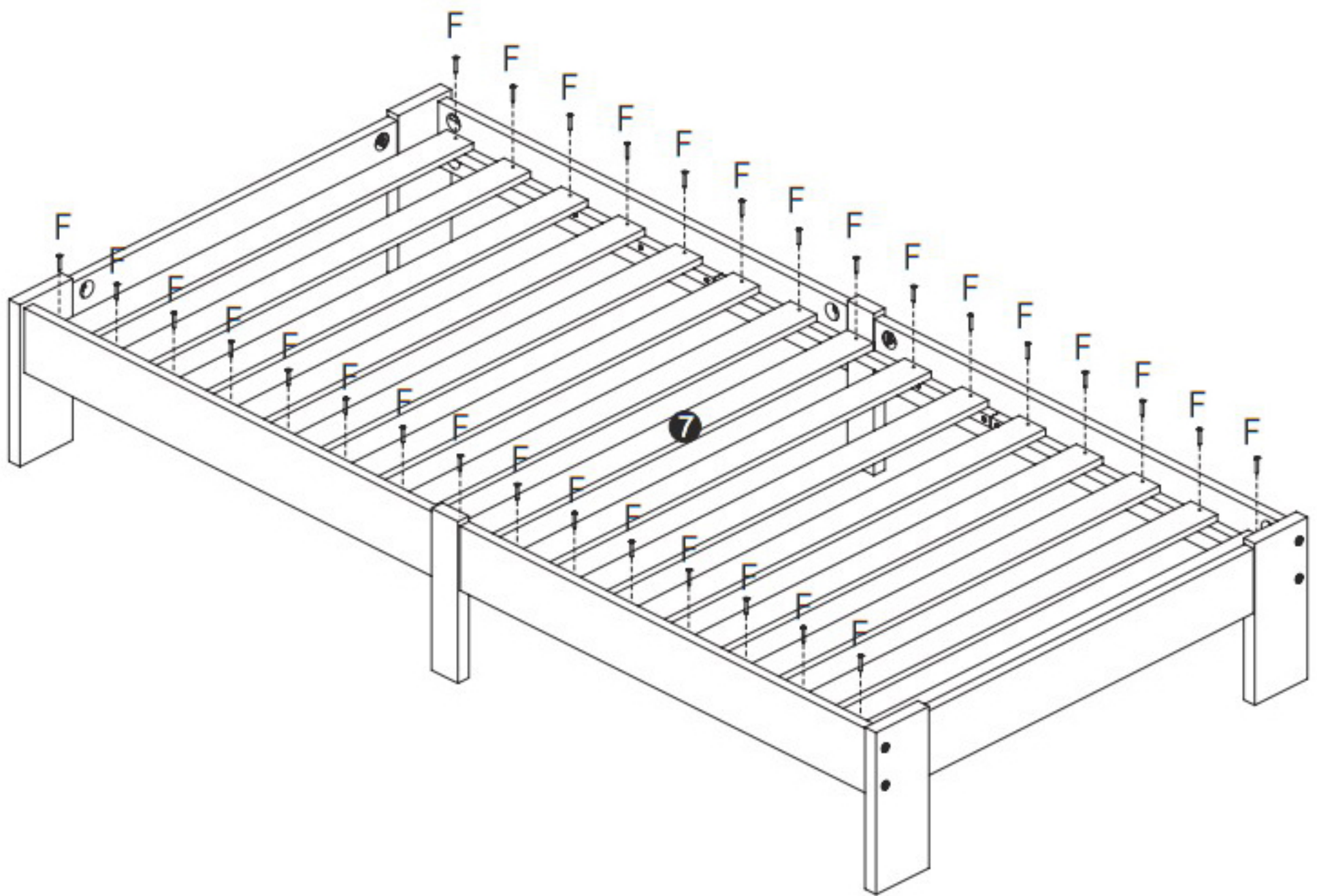


D	 M6x140	4
E		8
F	 $\Phi 4 \times 30$	30
H		1

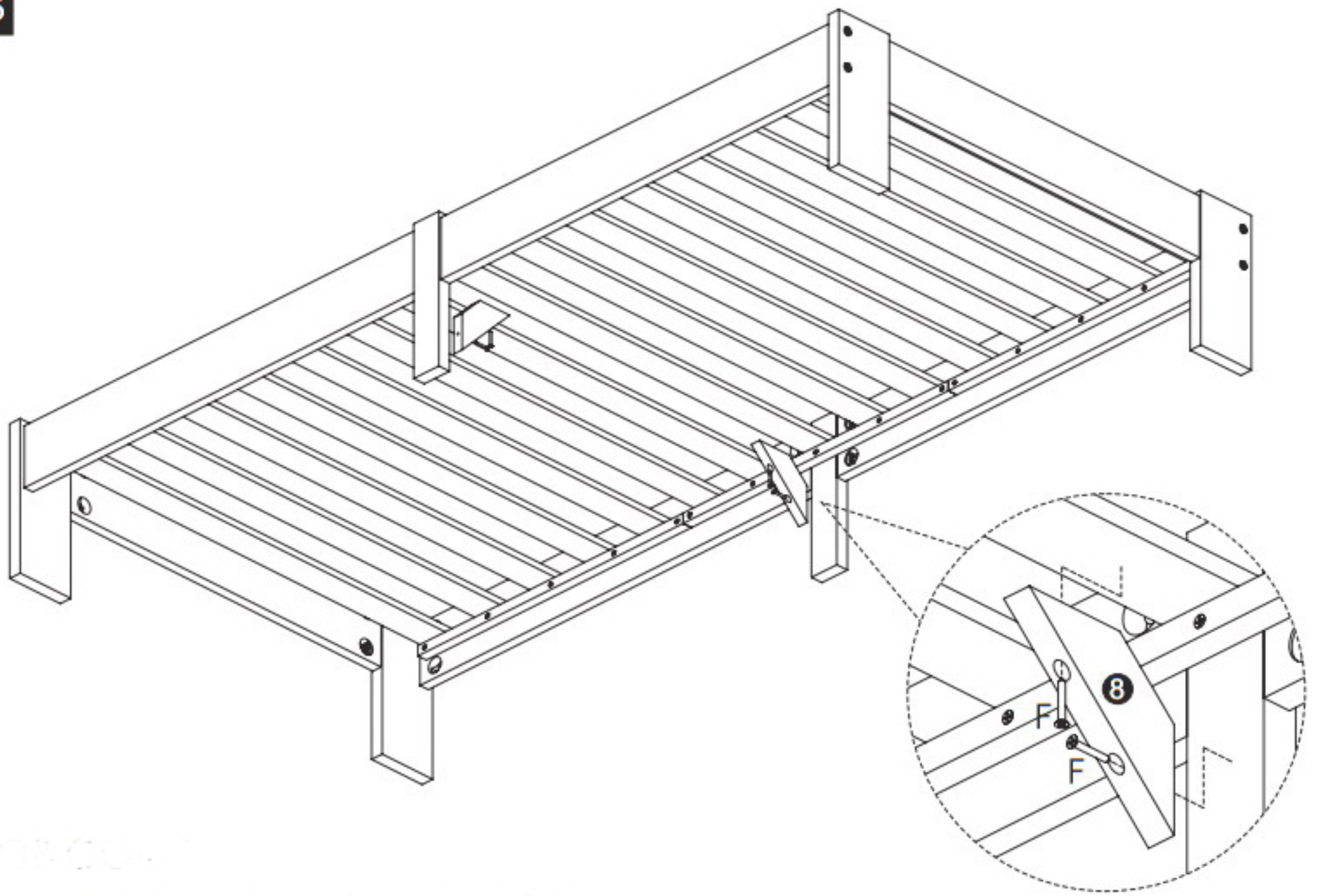
STEP 4



STEP 5



STEP 6



JOB COMPLETE
THANK YOU FOR YOUR PURCHASE

F	 $\Phi 4 \times 30$	4
---	--	---