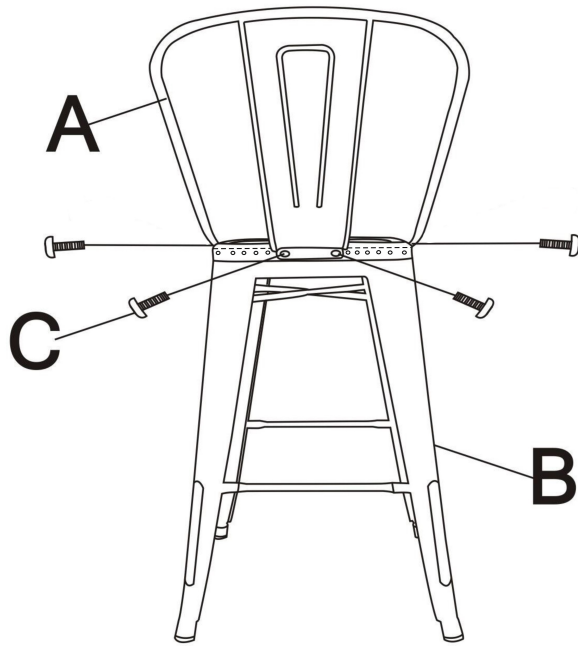
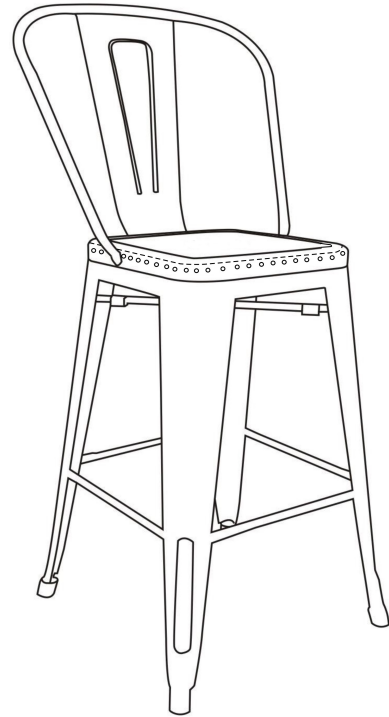


ASSEMBLY INSTRUCTIONS 72445

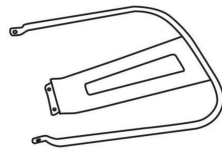
1



2



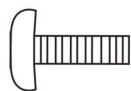
Ax1



Bx1



Cx4



6X14mm

Dx1

