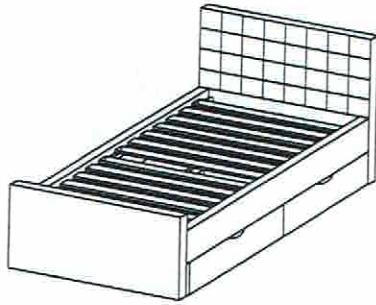


ASSEMBLY INSTRUCTIONS

ITEM CODE:
1883/1959/1960/1979



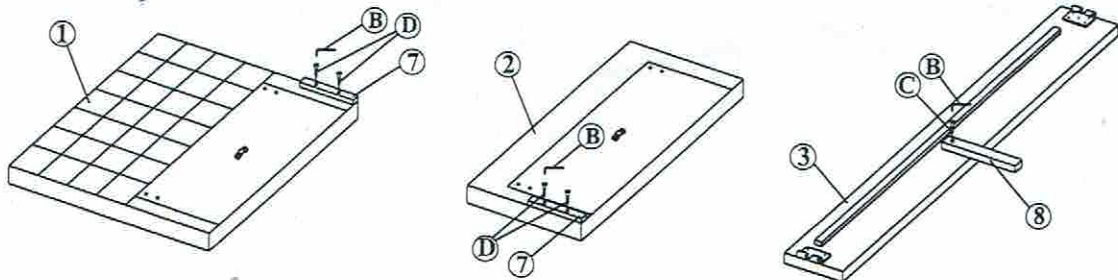
COMPONENT

Headboard - 1 pc 	Footboard - 1 pc 	Side Rail - 2 pcs 	Drawer Board - 2 pcs 	Center Support Leg - 3 pcs 	Center Rail - 1 pc 	Drawer Block Leg - 2 pcs 	Drawer Block (Center) - 1 pc
Drawer Panel - 4 pcs 	Drawer Side Panel - 4 pcs 	Drawer Bottom Panel - 2 pcs 	Drawer Support - 6 pcs 	Bed Slats - 2sets(13pcs) 			

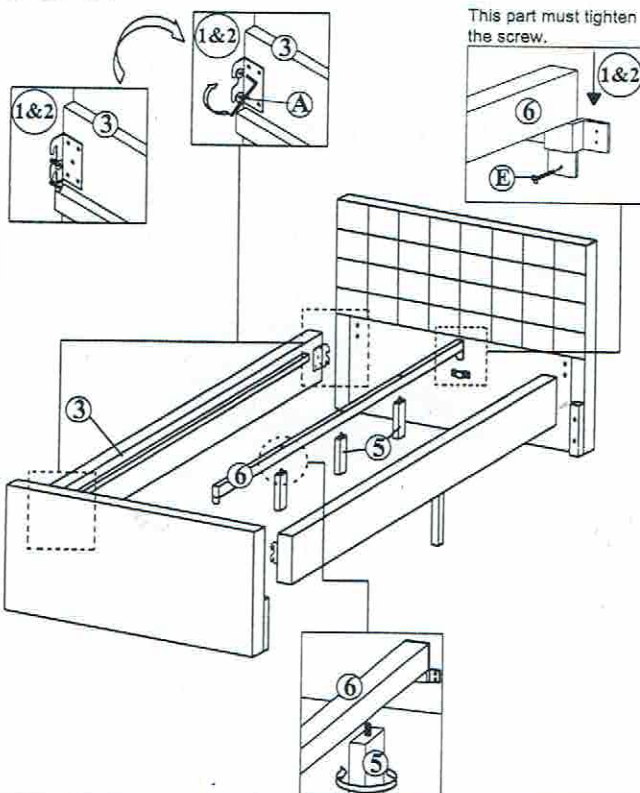
HARDWARE

Allen Key M5 - 1 pc. 	Allen Key M4 - 1 pc. 	JCBC Bolt M5 x 30mm - 11 pcs. 	JCBC Bolt M6 x 35mm - 4 pcs. 	Wood Screw M4 x 20mm - 2 pcs. 	Wood Screw M3.5 x 16mm - 32 pcs. 	Castor Wheel - 8 pcs. 	Handle Screw M4 x 25mm - 16 pcs.
Wood Screw M4 x 30mm - 12 pcs. 	Power Nails (20mm) - 52 pcs. 	Wood Screw M4 x 25mm - 11 pcs. 					

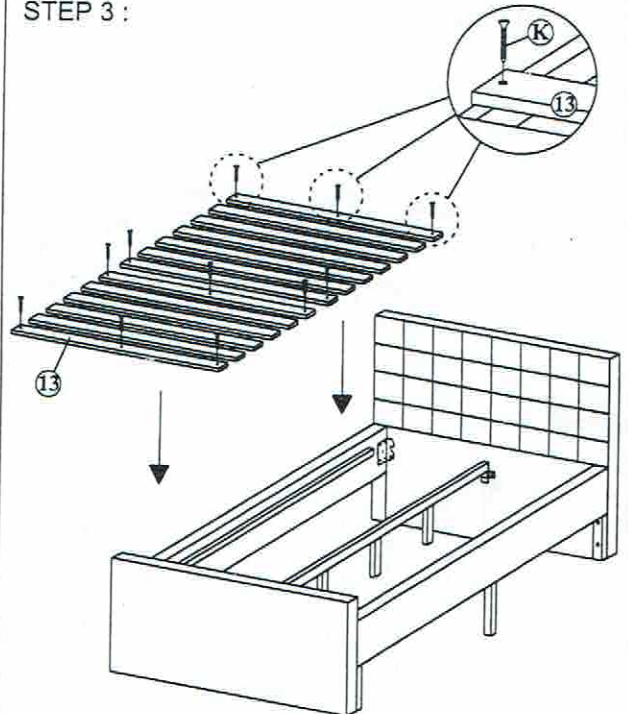
STEP 1 :



STEP 2 :

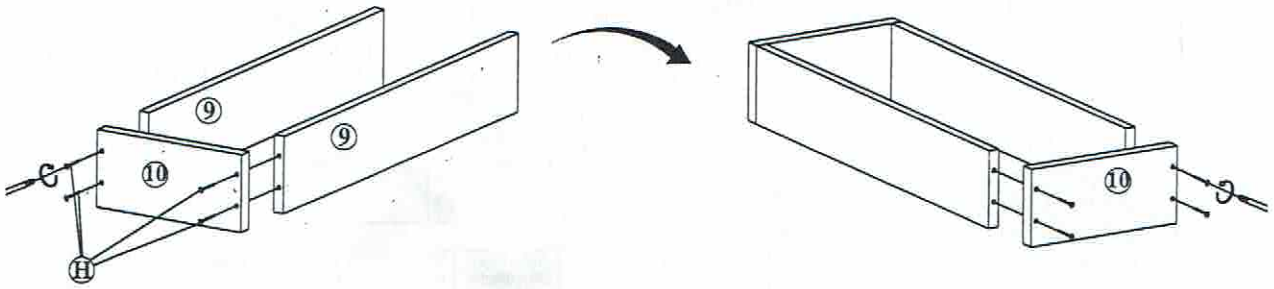


STEP 3 :

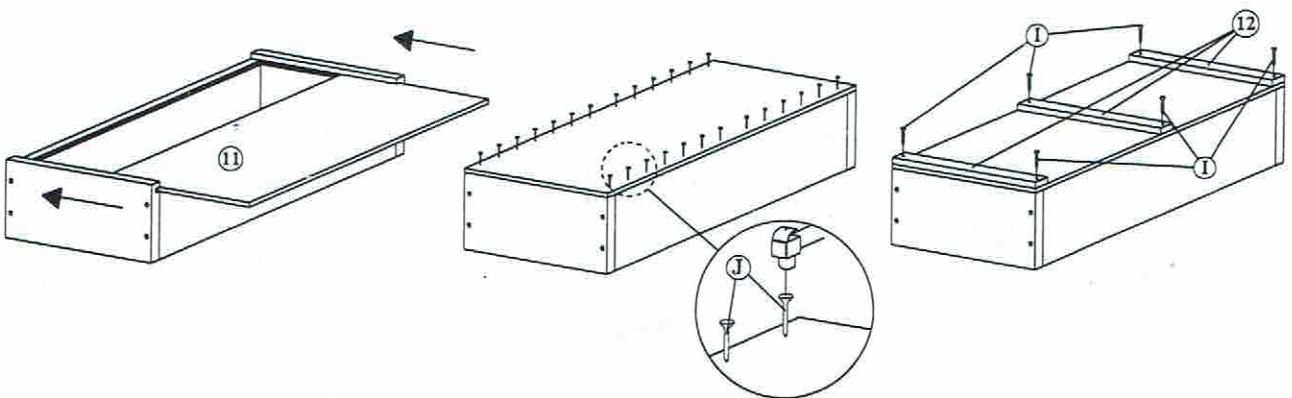


ASSEMBLY INSTRUCTIONS

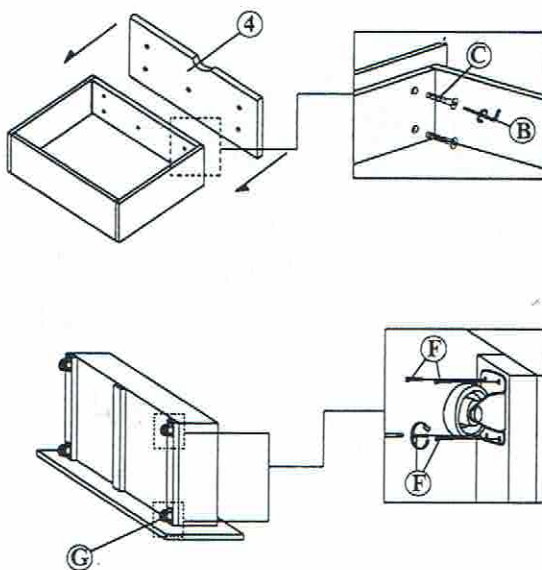
STEP 4 :



STEP 5 :



STEP 6 : The drawer and side rail can be assemble for both side which is left or right.



COMPLETE VIEW

