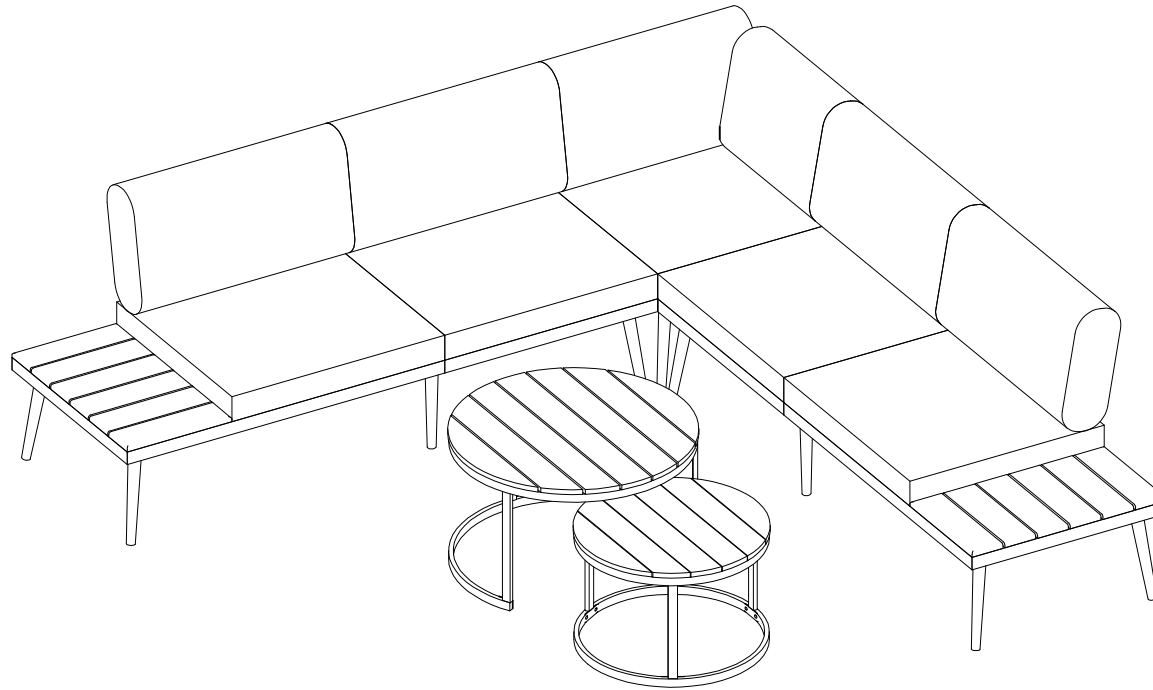






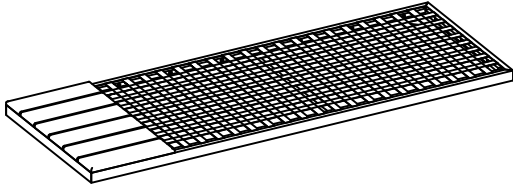
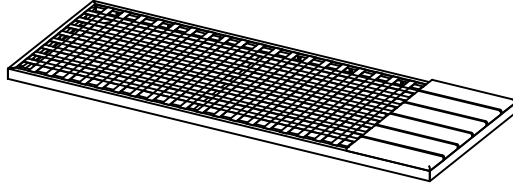
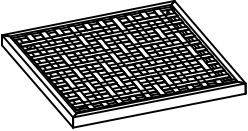



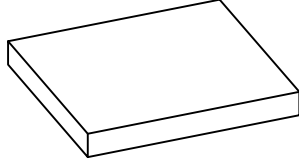
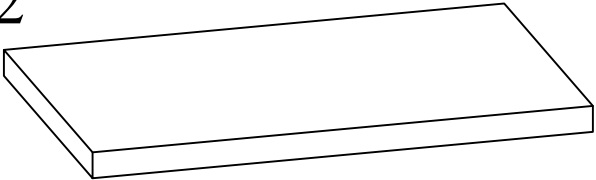
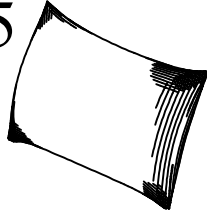
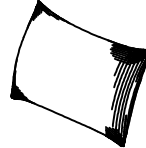
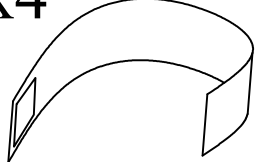


CORNER SOFA SET

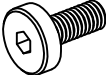
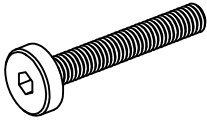






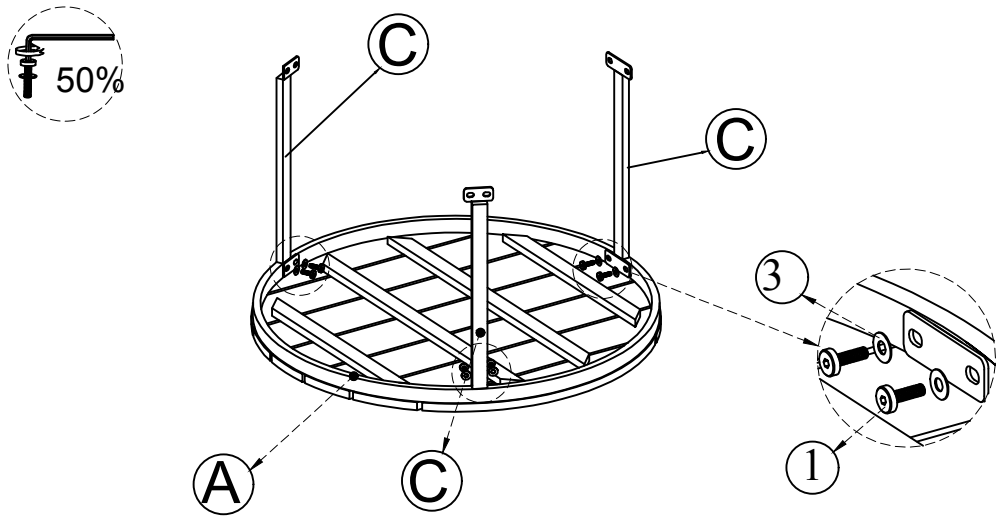
- 1 . 50% Tighten before fixing all screws, Allen wrench is recommended instead of an electric drill.**
- 2 . Place the item on a flat ground to adjust and make sure it remains stable.**
- 3 . Tighten up all screw with tools gradually.**
- 4 . If screw are not aligned with holes during assembly, please loosen all the other screws to 50% and continue the assembly process.**
- 5 . If the item is not stable, please loosen all screws, adjust it on a flat ground and tighten up all screws again.**
- 6 . Note: If one or some screws are fully tighten during assembly, chances are the others will not be aligned with holes. In addition, all the holes are designed to be relatively larger to provide more space for the adjustment of the screws.**

Part List :

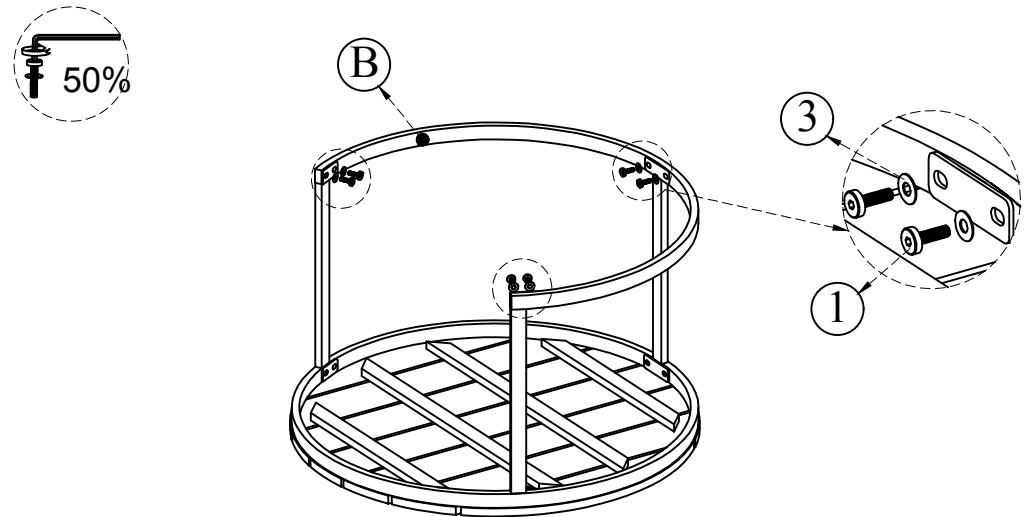
<p>(A) x1</p>  <p>Big Table Top</p>	<p>(B) x1</p>  <p>Big Table Leg</p>	<p>(C) x3</p>  <p>Side Big Table</p>	<p>(D) x1</p>  <p>Small Table Top</p>	<p>(E) x1</p>  <p>Small Table Leg</p>
<p>(F) x3</p>  <p>Side Small Table</p>	<p>(G) x1</p>  <p>Seat Right Bench</p>		<p>(H) x1</p>  <p>Seat Left Bench</p>	
<p>(I) x1</p>  <p>Conner</p>	<p>(J) x6</p>  <p>Back</p>	<p>(K) x12</p>  <p>Side Leg Sofa</p>	<p>(L) x2</p>  <p>Middle Leg Sofa</p>	<p>(M) x1</p>  <p>Seat Chair Cushion</p>
<p>(N) x2</p>  <p>Seat Bench Cushion</p>		<p>(O) x5</p>  <p>Back Cushion</p>	<p>(P) x1</p>  <p>Small Cushion</p>	<p>(Q) x4</p>  <p>Connector</p>

Hardware List :

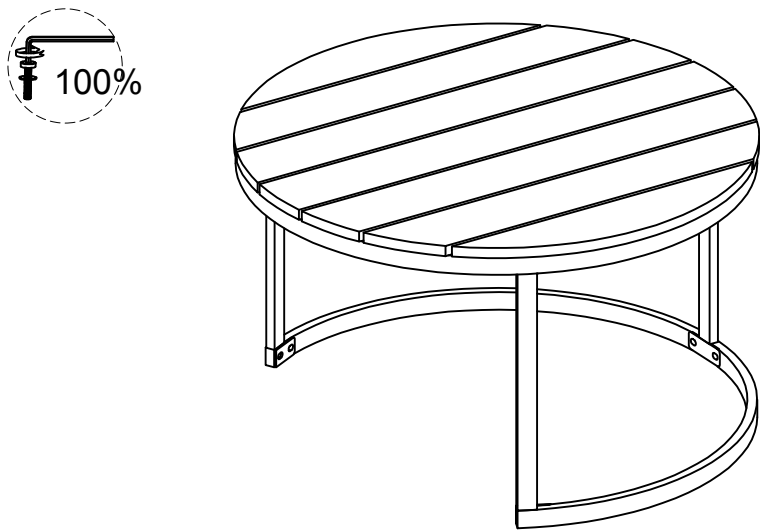
<p>(1) x80</p>  <p>Bolt M6 x 15mm</p>	<p>(2) x24</p>  <p>Bolt M6 x 40mm</p>	<p>(3) x104</p>  <p>Flat Washer M6 x 1mm</p>	<p>(4) x24</p>  <p>Vent Washer M6 x 2mm</p>	<p>(5) x24</p>  <p>Cover M6</p>	<p>(6) x2</p>  <p>Allen Key</p>
---	---	--	---	---	---



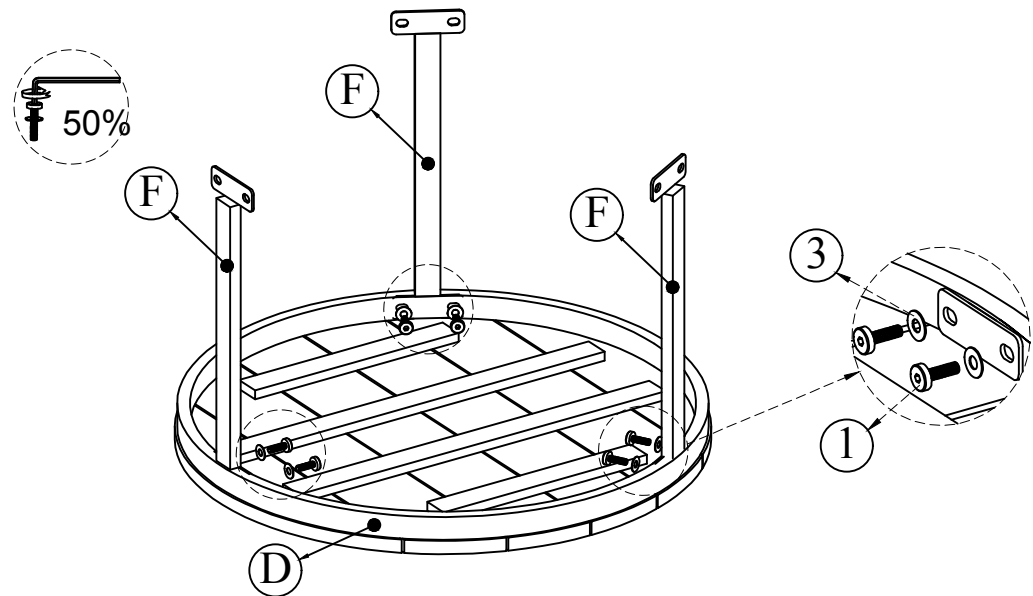
STEP 1: Connect The Big Table Top (A) & Side Big Table (C), tighten Bolt (1), Flat Washer (3) with Allen Key (6).



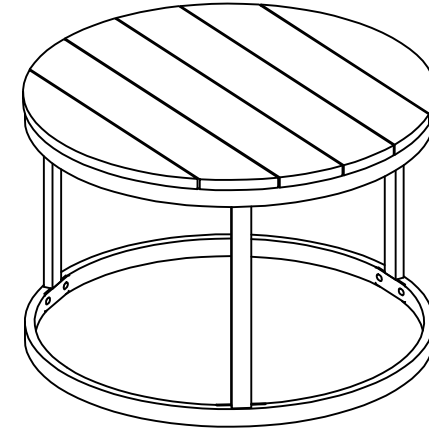
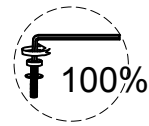
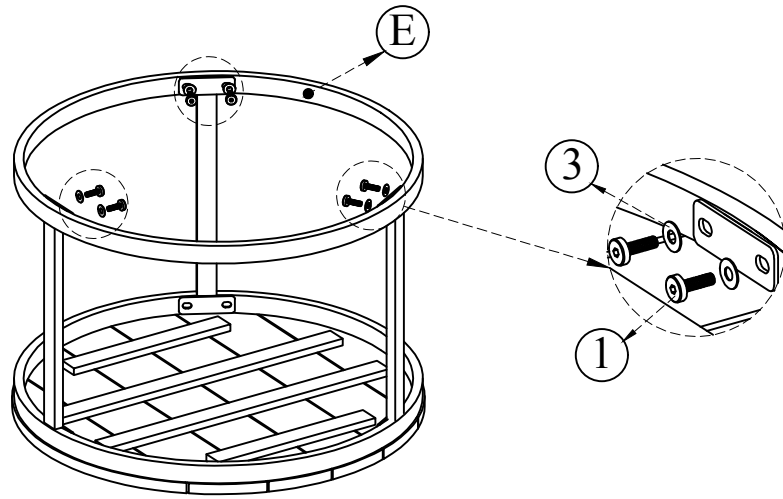
STEP 2: Connect The Part from Step 1 & Big Table Leg (B), tighten Bolt (1), Flat Washer (3) with Allen Key (6).



STEP 3: Put the Big Table upright and make sure all legs are level, then firmly tighten Bolts with Allen Key (6) to finish Big Table

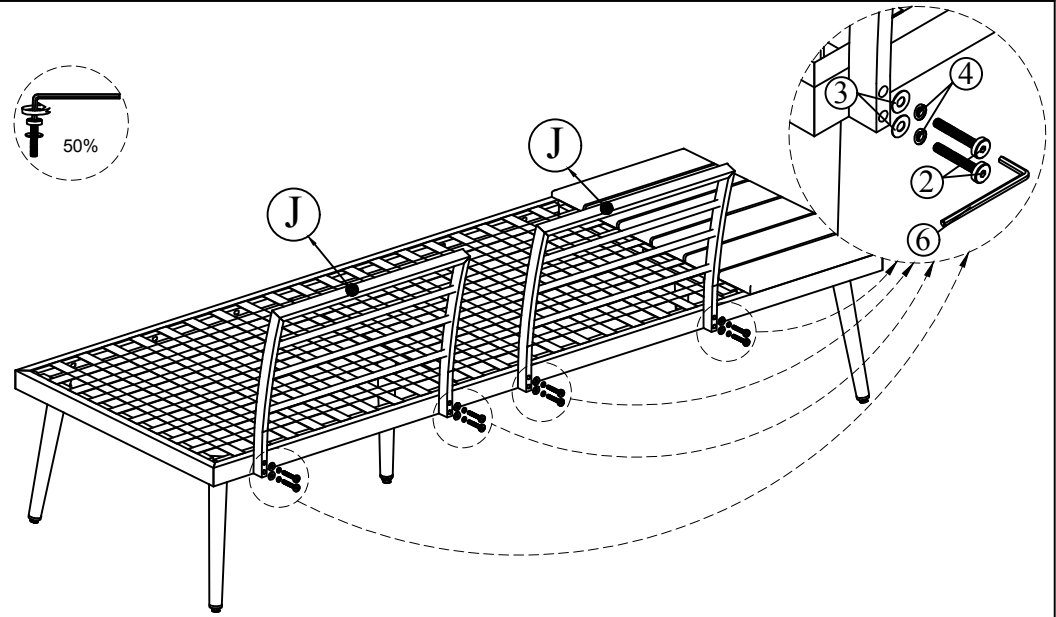
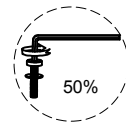
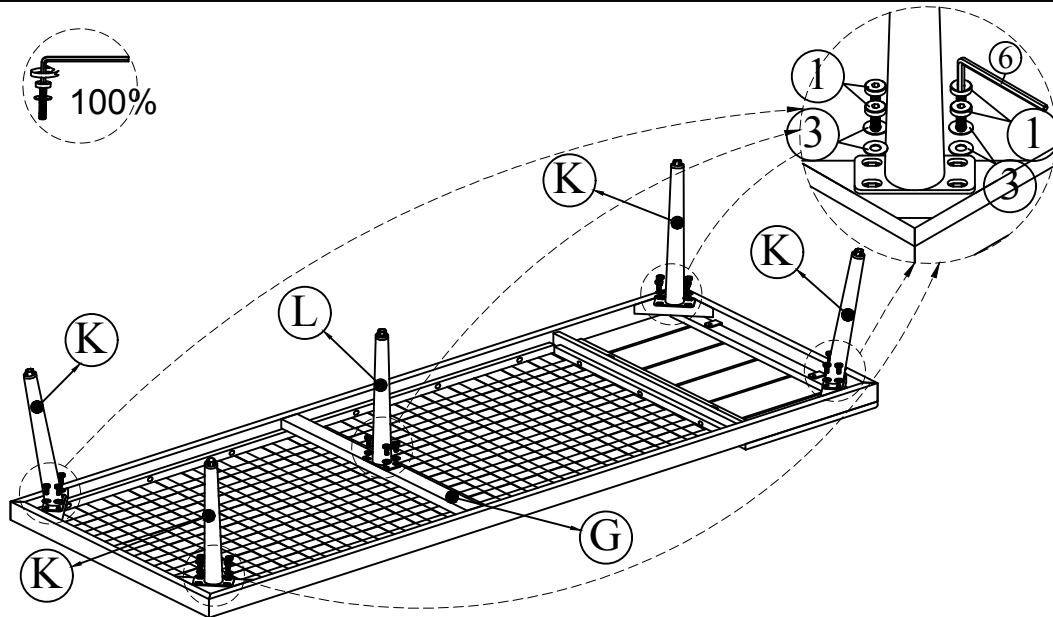


STEP 4: Connect The Small Table Top (D) & Side Small Table (F), tighten Bolt (1), Flat Washer (3) with Allen Key (6).



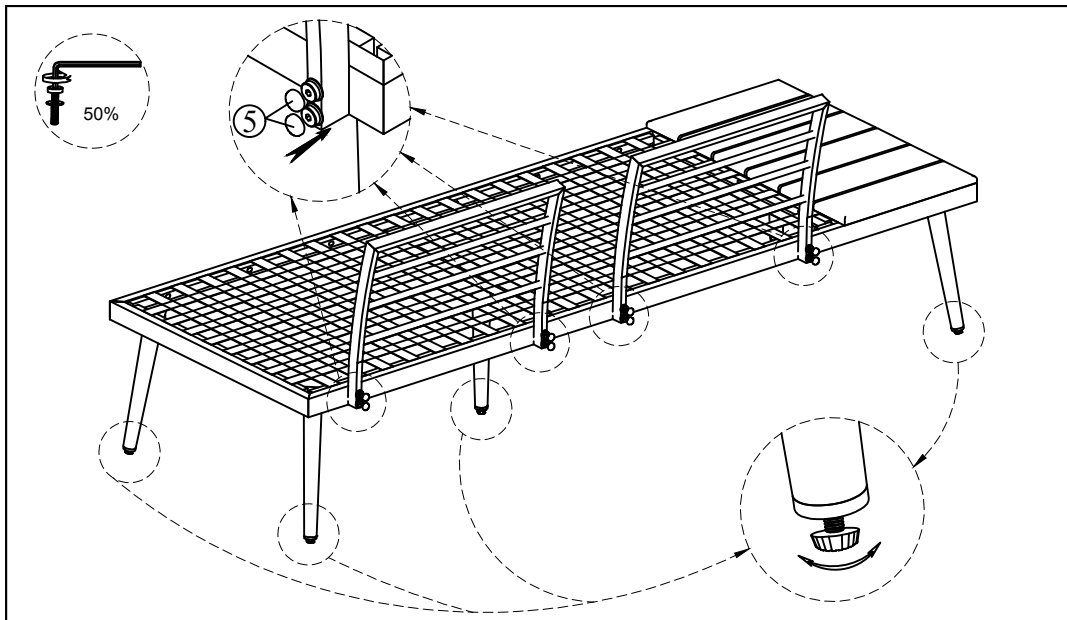
STEP 5: Connect The Part from Step 4 & Small Table Leg (E), tighten Bolt (1), Flat Washer (3) with Allen Key (6).

STEP 6: Put the Small Table upright and make sure all legs are level, then firmly tighten Bolts with Allen Key (6)

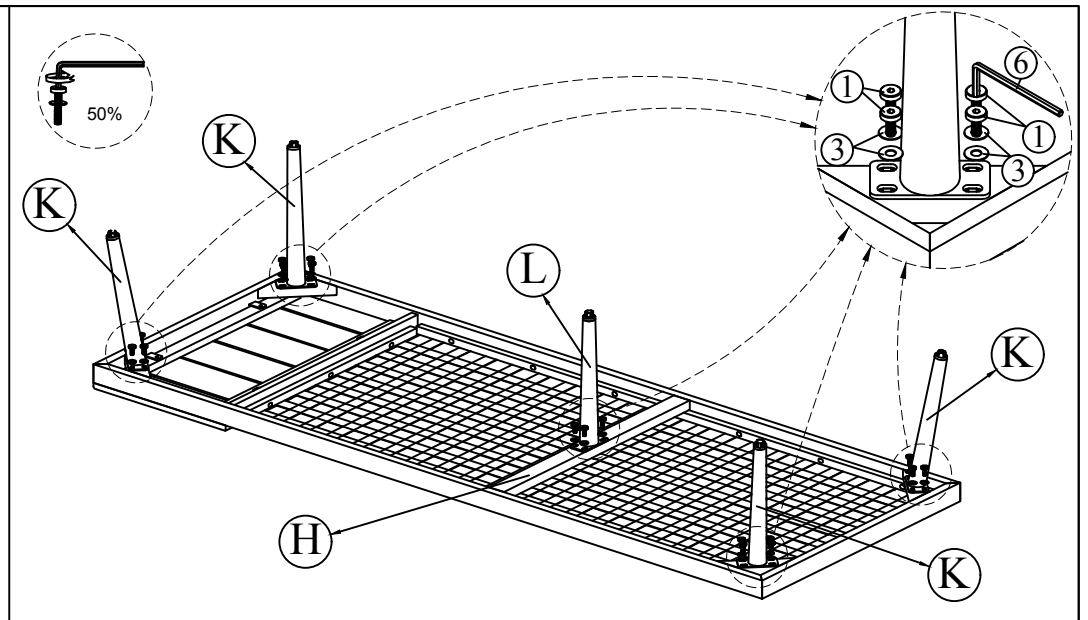


STEP 7: Connect The Part Right Seat Bench (G) & Side Leg Sofa (K), Middle Leg Sofa (L), tighten Bolt (1), Flat Washer (3) with Allen Key (6).

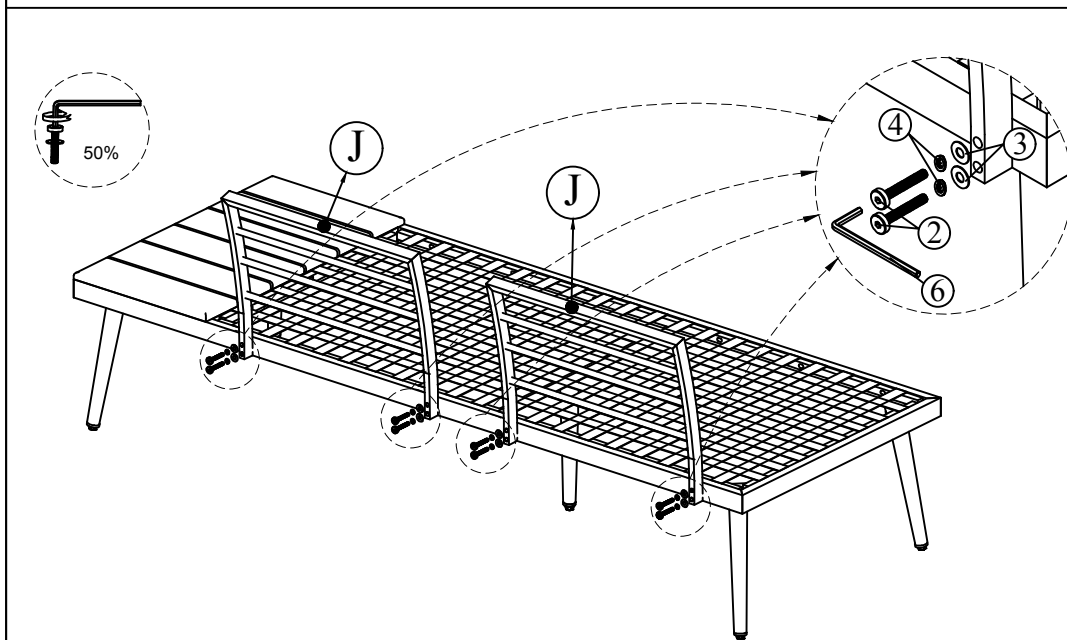
STEP 8: Connect The Part from STEP 7 & Back (J), tighten Bolt (2), Flat Washer (3), Vent Washer (4) with Allen Key (6).



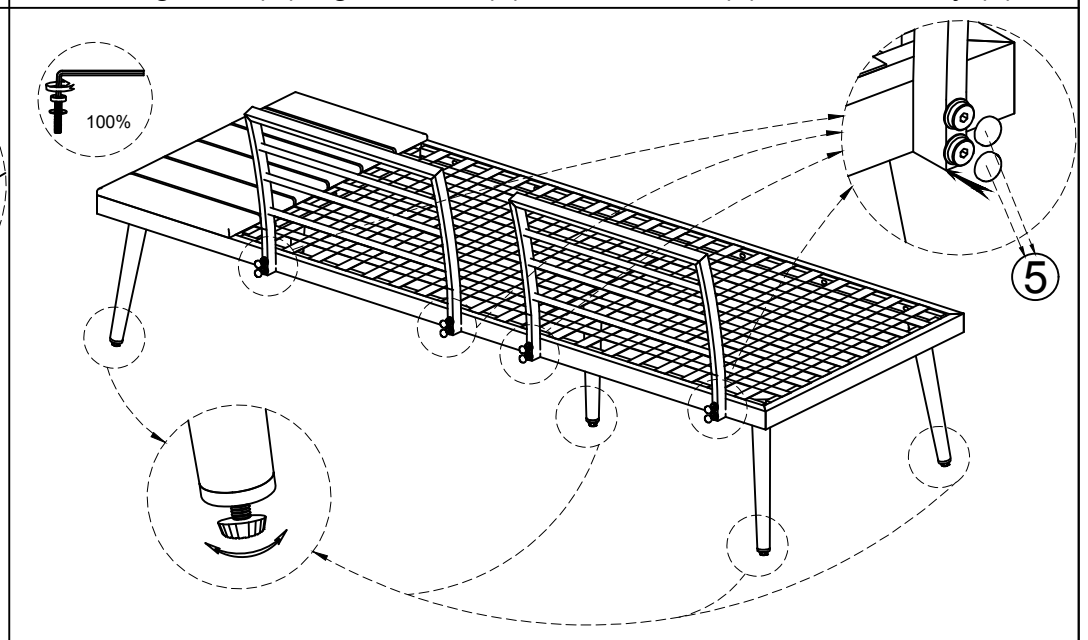
STEP 9: Put the Right Bench upright and make sure all legs are level, then firmly tighten Bolts with Allen Key (6) and Put to Cover (5).



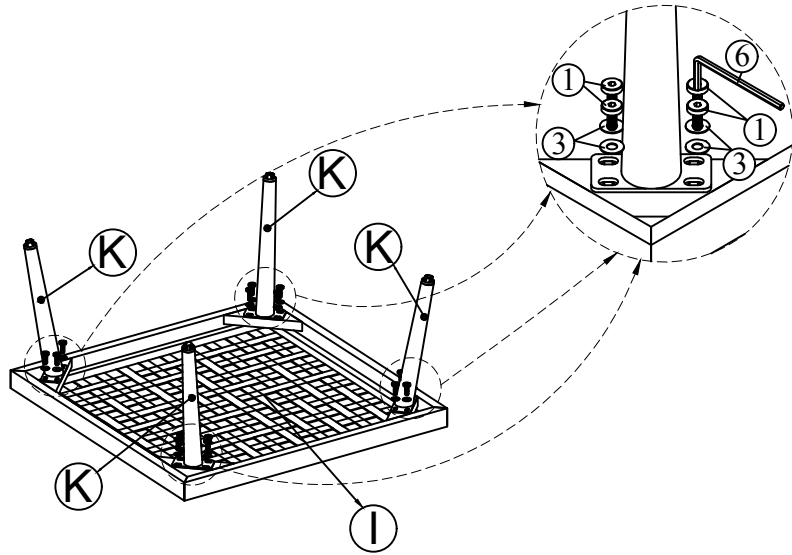
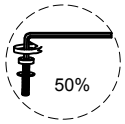
STEP 10: Connect The Part Left Seat Bench (H) & Side Leg Sofa (K), Middle Leg Sofa (H), tighten Bolt (1), Flat Washer (3) with Allen Key (6).



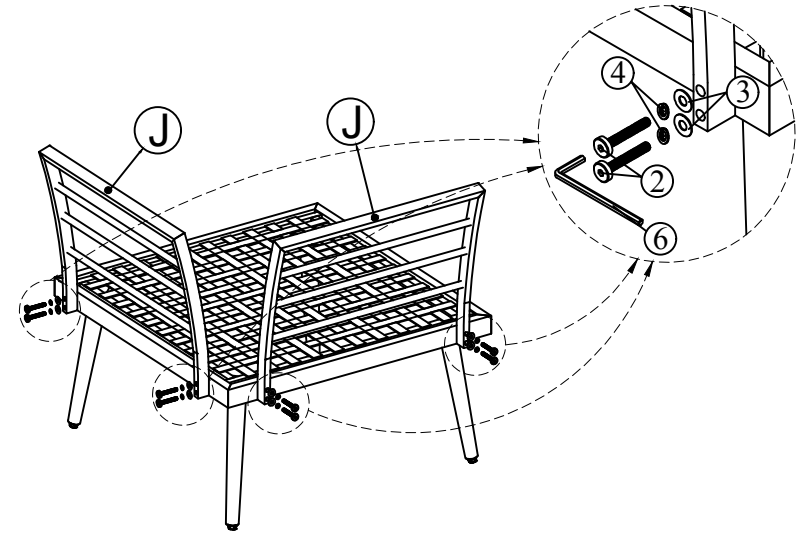
STEP 11: Connect The Part from STEP 10 & Back (J), tighten Bolt (2), Flat Washer (3), Vent Washer (4) with Allen Key (6).



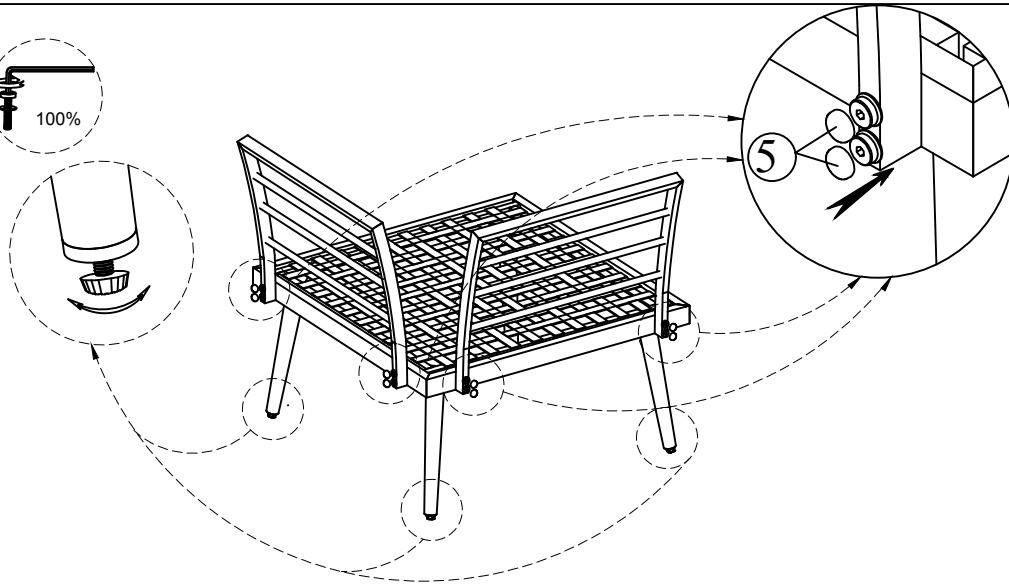
STEP 12: Put the Left Bench upright and make sure all legs are level, then firmly tighten Bolts with Allen Key (6) and Put to Cover (5).



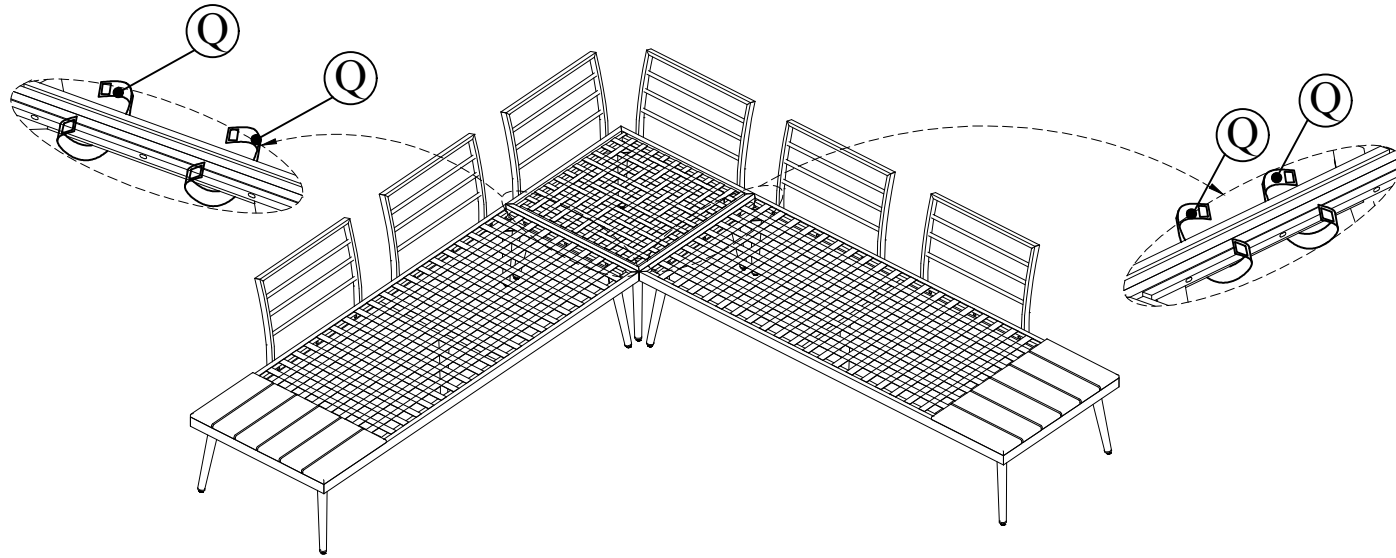
STEP 13: Connect The Part Corner (I) & Side Leg Sofa (K), tighten Bolt (1), Flat Washer (3) with Allen Key (6).



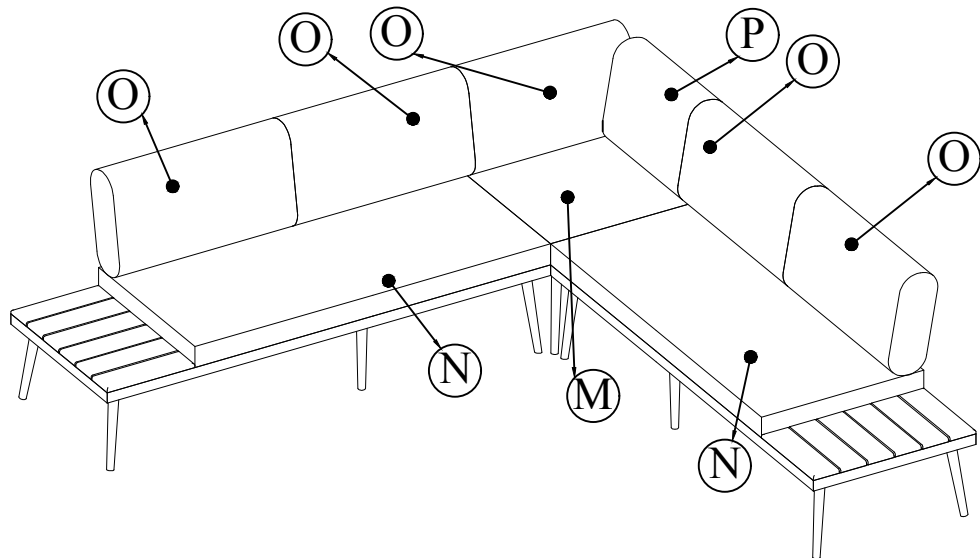
STEP 14: Connect The Part STEP 13 & Back (J), tighten Bolt (2), Flat Washer (3), Vent Washer (4) with Allen Key (6).



STEP 15: Put the Corner upright and make sure all legs are level, then firmly tighten Bolts with Allen Key (6) and Put to Cover (5).



STEP 16: Connect Corner with Left Bench and Right Bench by Connector (Q).



STEP 17: Put on Seat Bench Cushion (N) & Back Cushion (O), Small Cushion (P).

