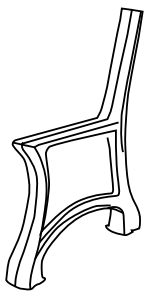


A X2



B X3



C X2



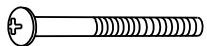
D X1



E X1



F X10



M6\*45

G X15



M4\*16

H X25



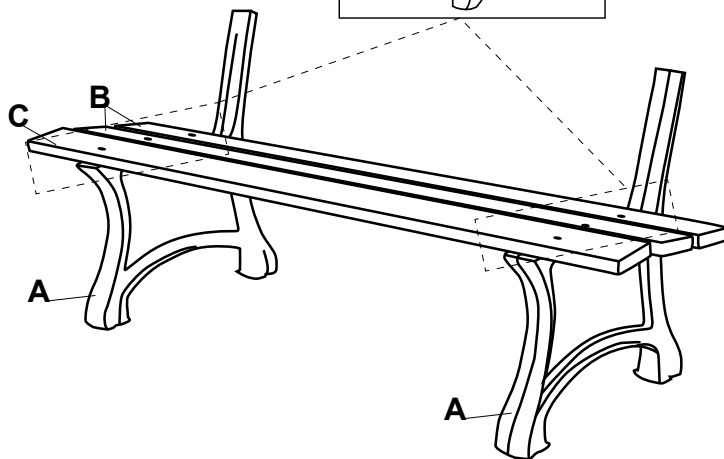
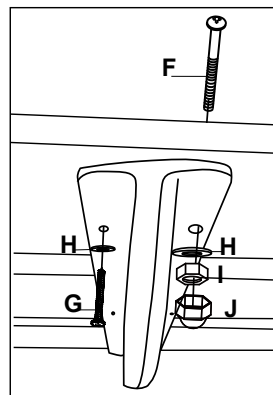
I X10



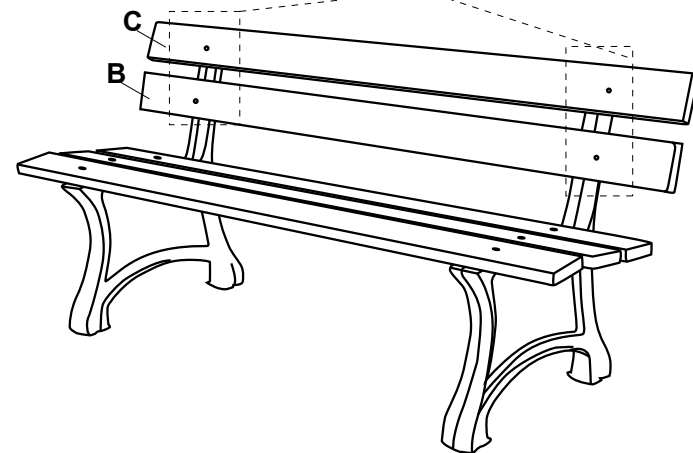
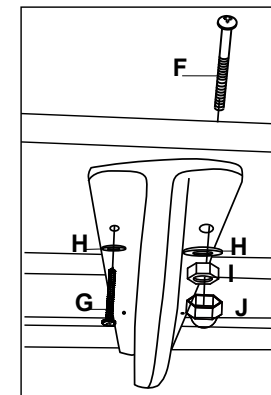
J X10



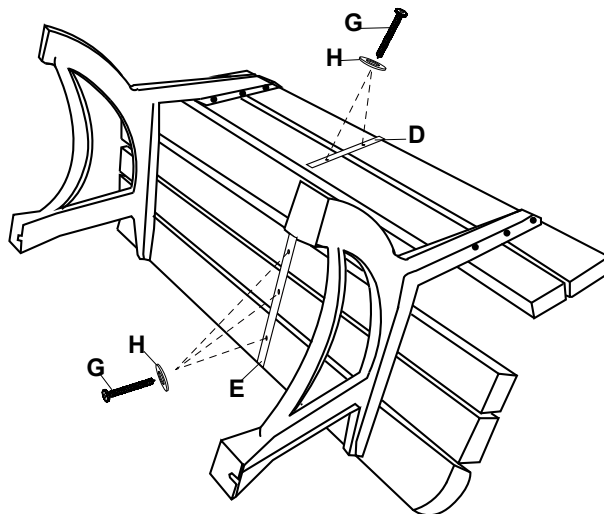
1



2



3



4

