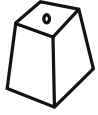


ASSEMBLY INSTRUCTION

PARTS AND HARDWARE



Leg
12x



Bolt
12x



Allen Key
1x

DIAGRAM 1

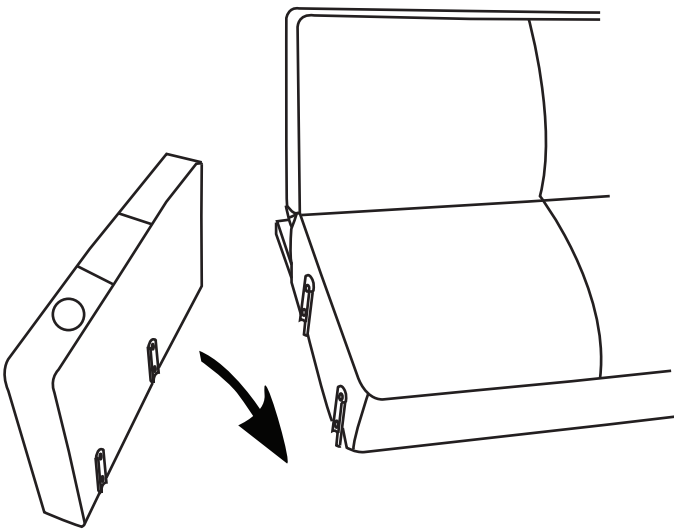


DIAGRAM 2

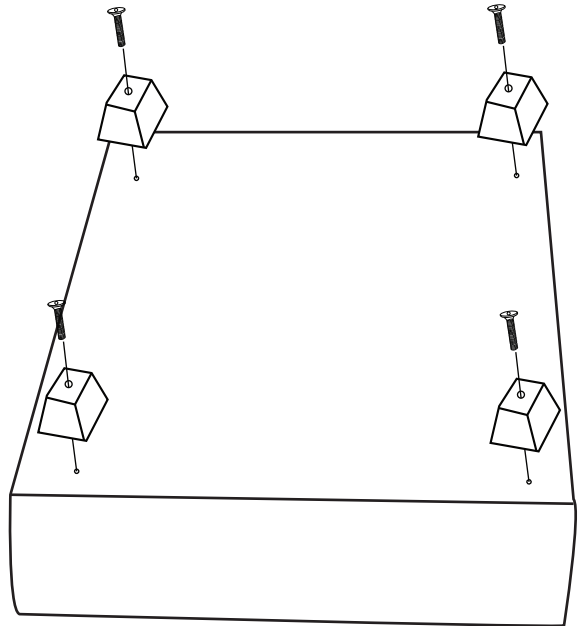


DIAGRAM 3

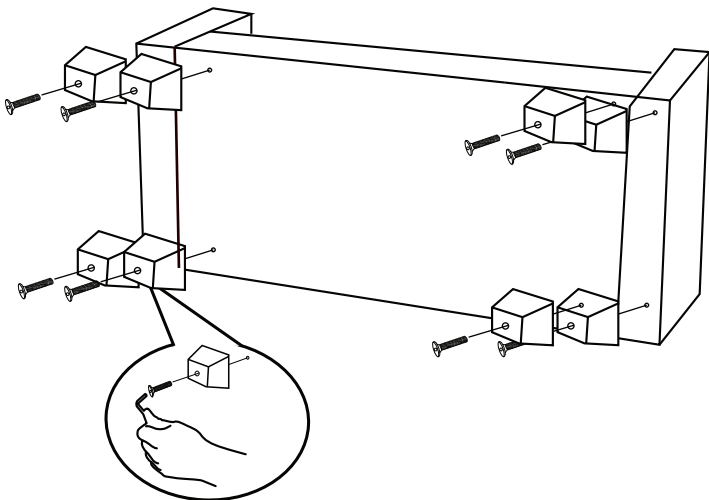


DIAGRAM 4

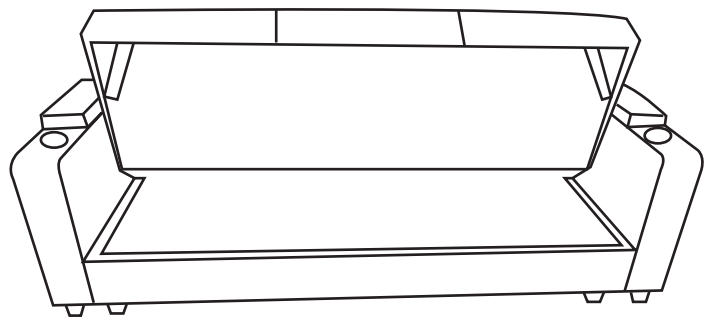


DIAGRAM 5

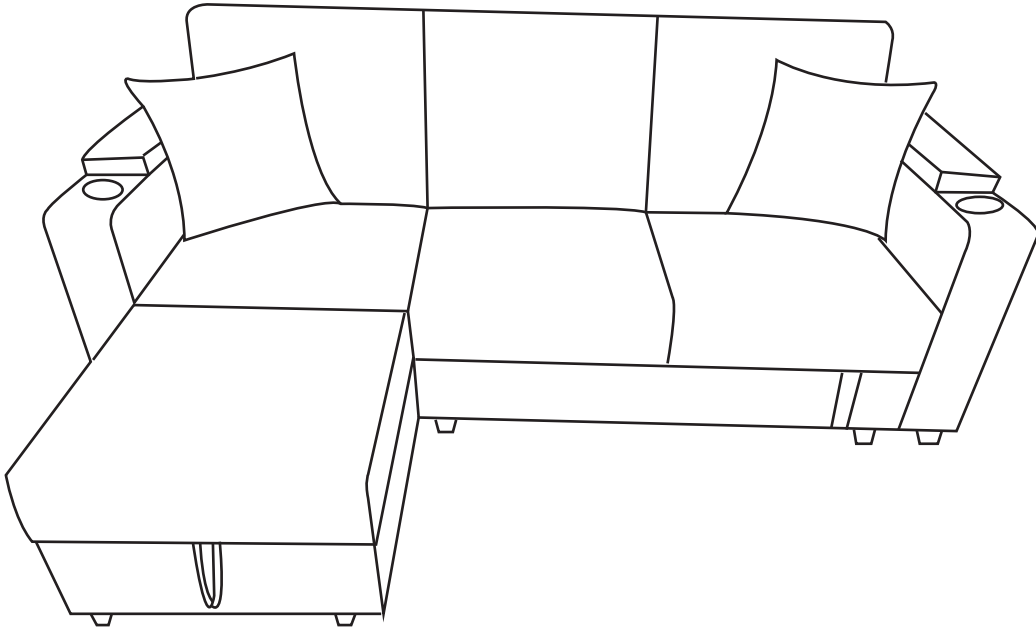


DIAGRAM 6

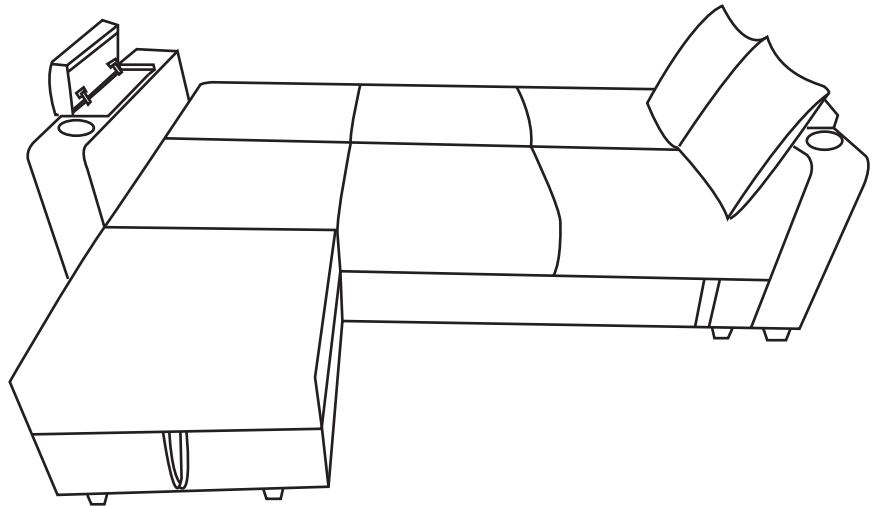


DIAGRAM 7

