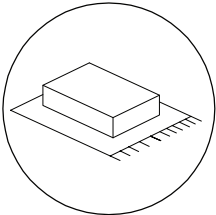
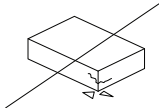
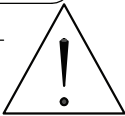
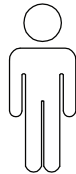
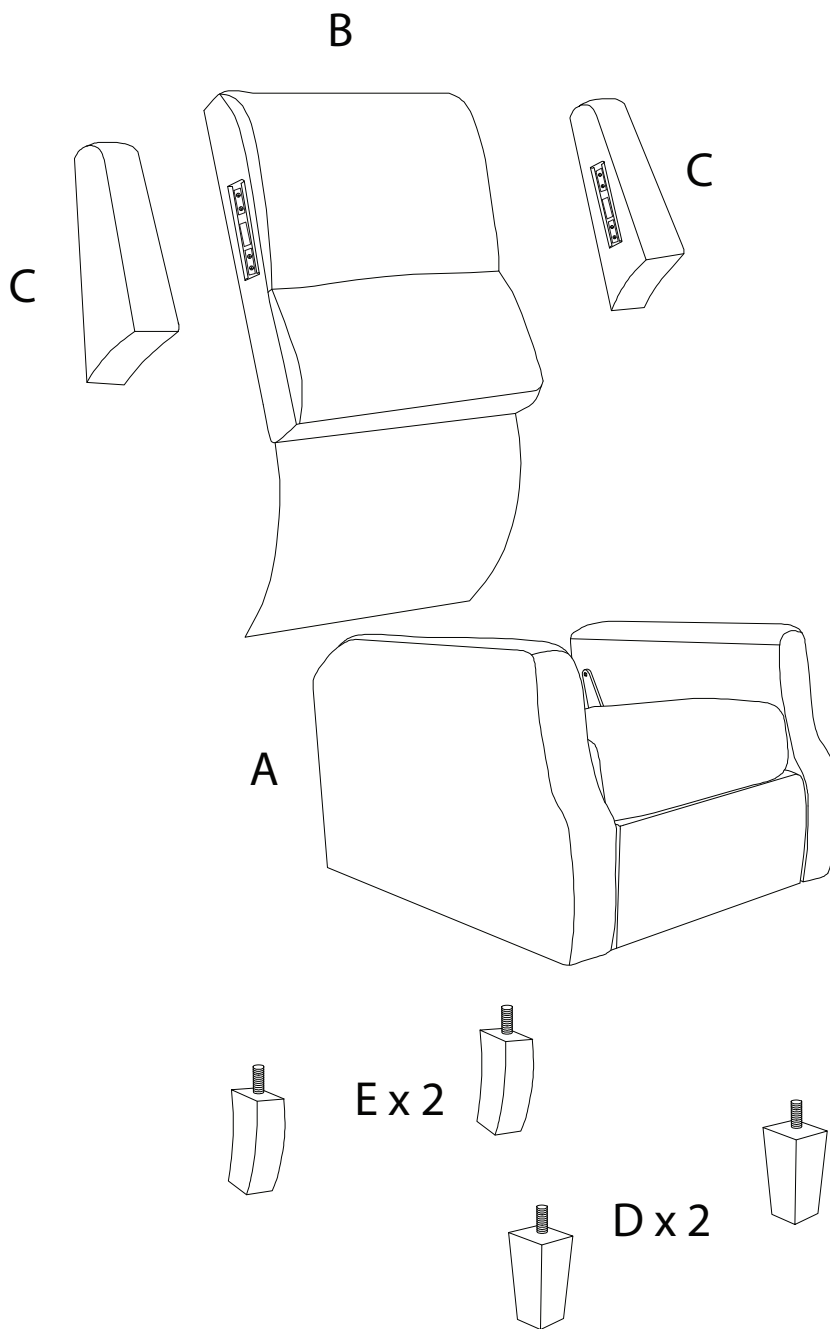
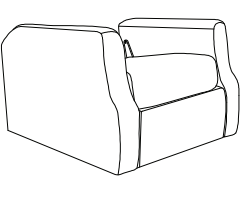
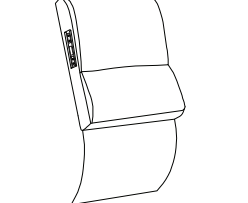
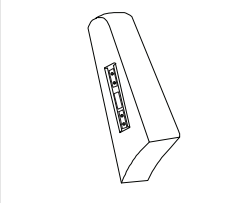
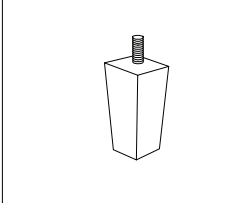
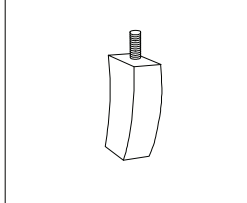
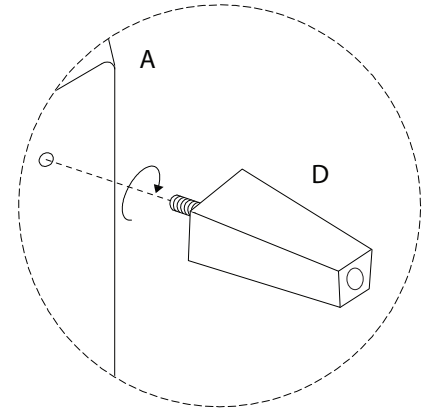
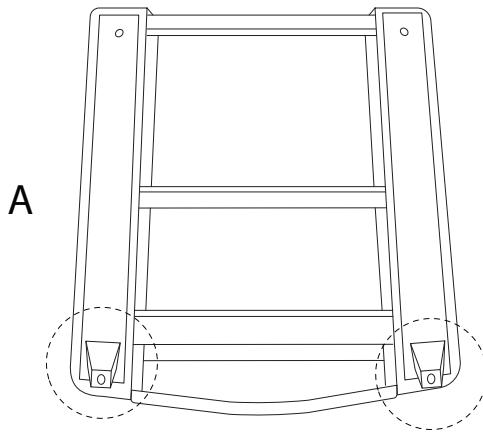
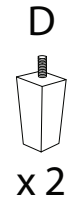
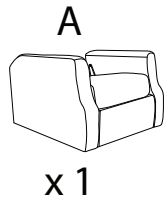

		15'
 		
		1

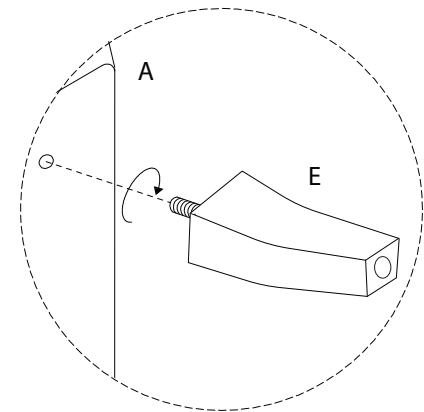
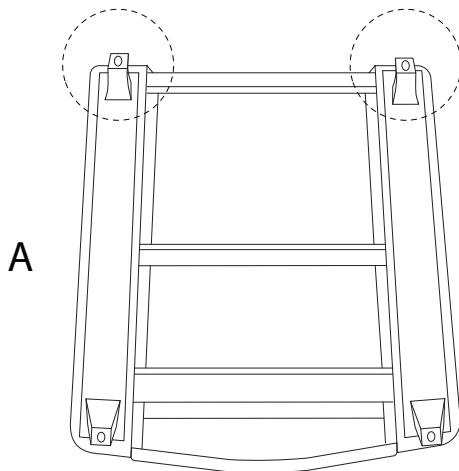


A	B	C	D	E
				
x 1	x 1	x 2	x 2	x 2

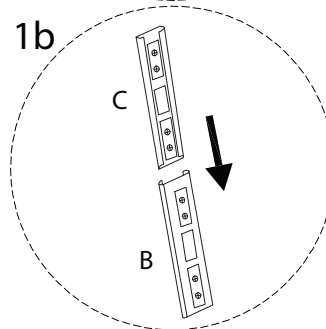
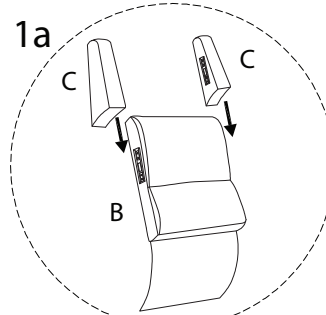
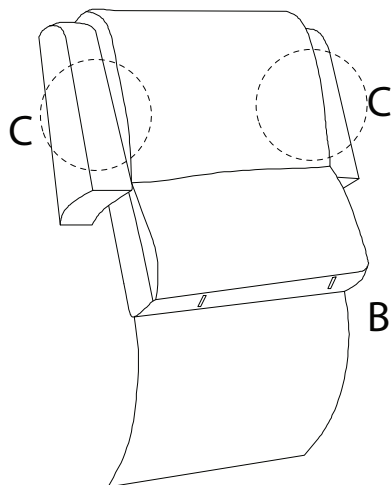
1



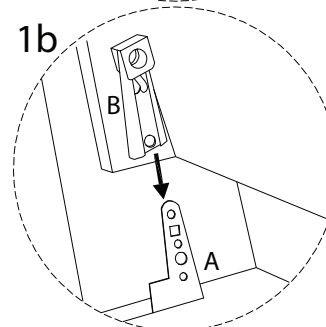
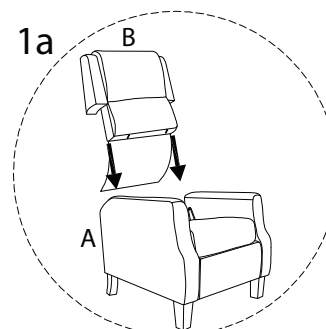
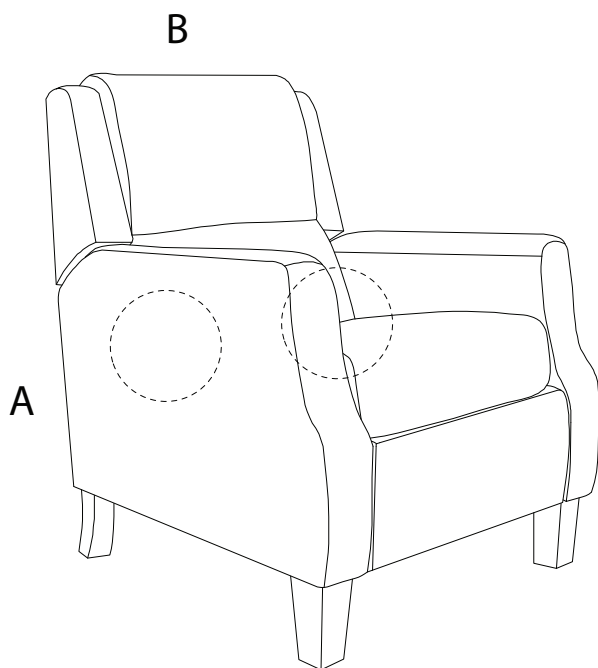
2



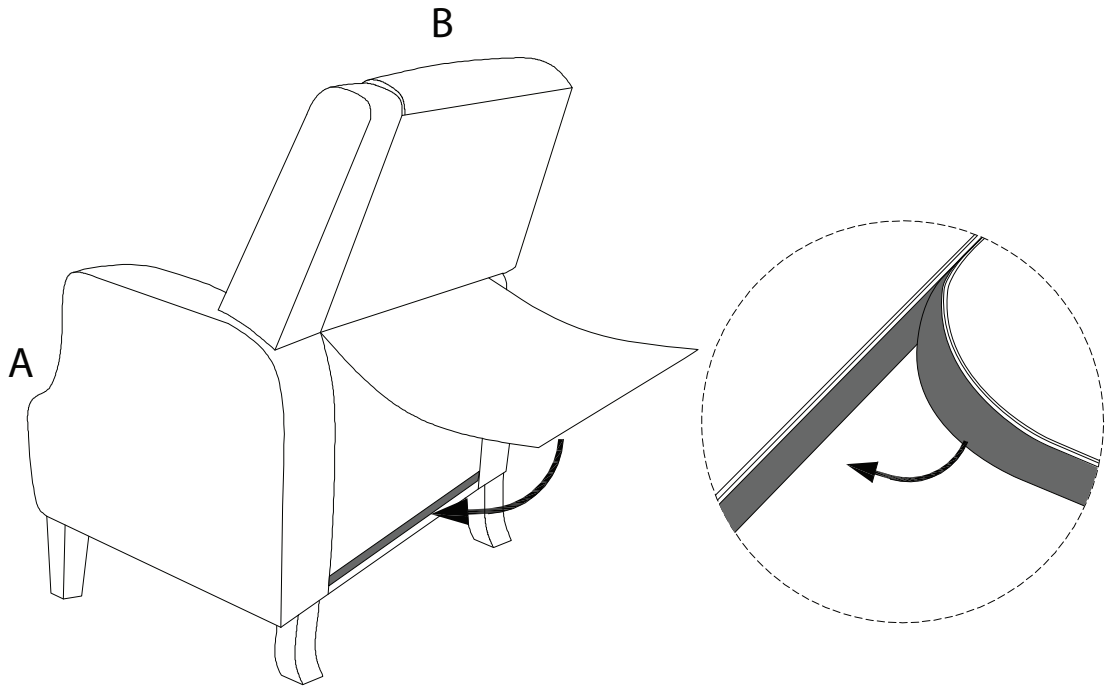
3



4



5



!

