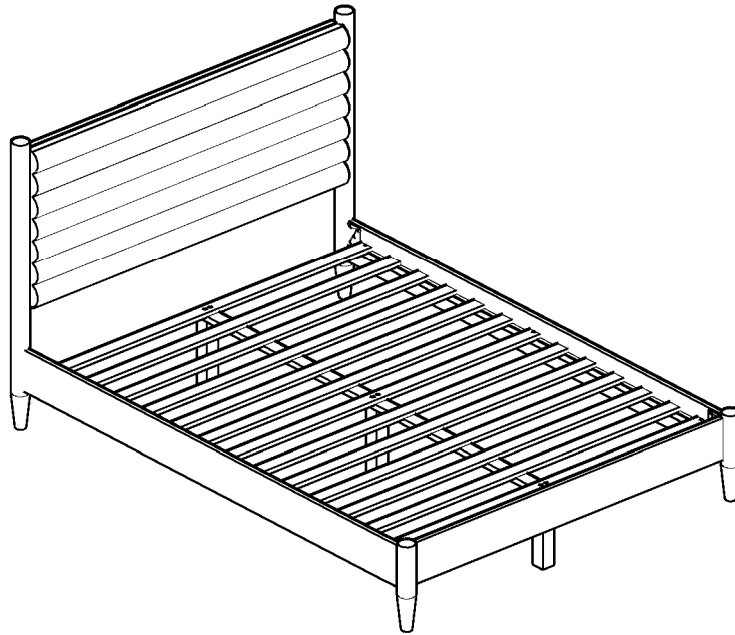


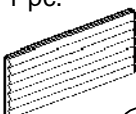
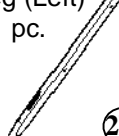
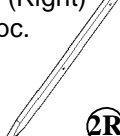





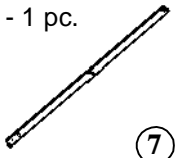
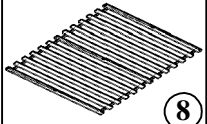
ASSEMBLY INSTRUCTIONS

MODEL : BD563B-FS












ITEM CODE : 2596



COMPONENT

Headboard - 1 pc.  ①	Headboard Leg (Left) - 1 pc.  ②L	Headboard Leg (Right) - 1 pc.  ②R	Side Rail - 2 pcs.  ③	Footboard - 1 pc.  ④	Center Leg - 3 pcs.  ⑤	FB Leg(Left) - 1 pc.  ⑥L	FB Leg(Right) - 1 pc.  ⑥R
Center Rail - 1 pc.  ⑦	Slat - 13 pcs.  ⑧						

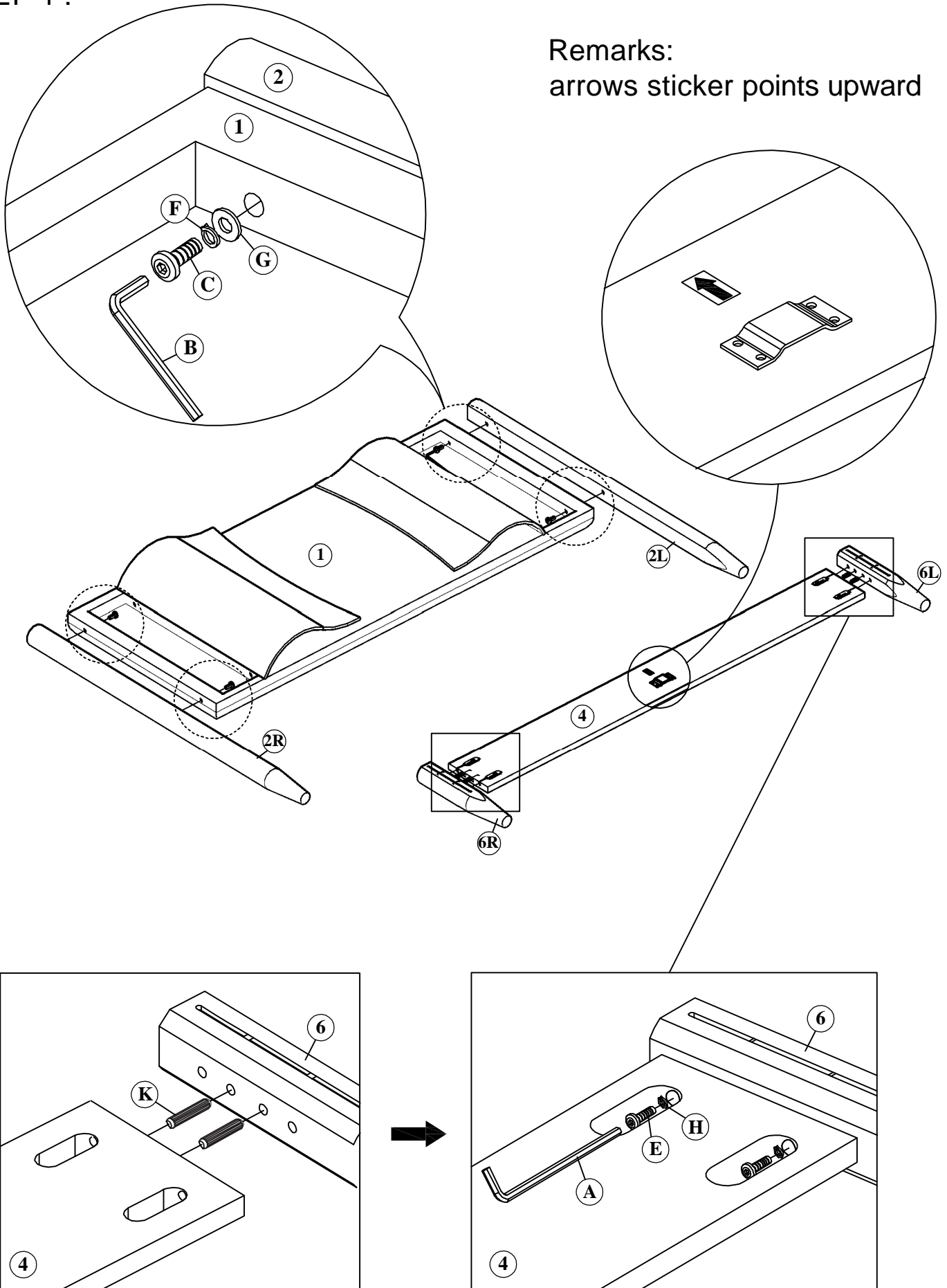
HARDWARE

Allen Key M4 Long Ball Head - 1 pc.  ①A	Allen Key M5 - 1 pc.  ①B	JCBB Bolt M8 x 35mm - 4 pcs.  ①C	JCBC Bolt M6 x 50mm - 6 pcs.  ①D	JCBC Bolt M6 x 40mm - 4 pcs.  ①E	M8 Spring Washer - 4 pcs.  ①F	M8 Flat Washer - 4 pcs.  ①G	M6 Spring Washer - 4 pcs.  ①H
Wood Screw M3.5 x 16mm - 1 pcs.  ①I	Wood Screw M4 x 25mm - 36 pcs.  ①J	Wood Dowel M8 x 30mm - 4 pcs.  ①K					

ASSEMBLY INSTRUCTIONS

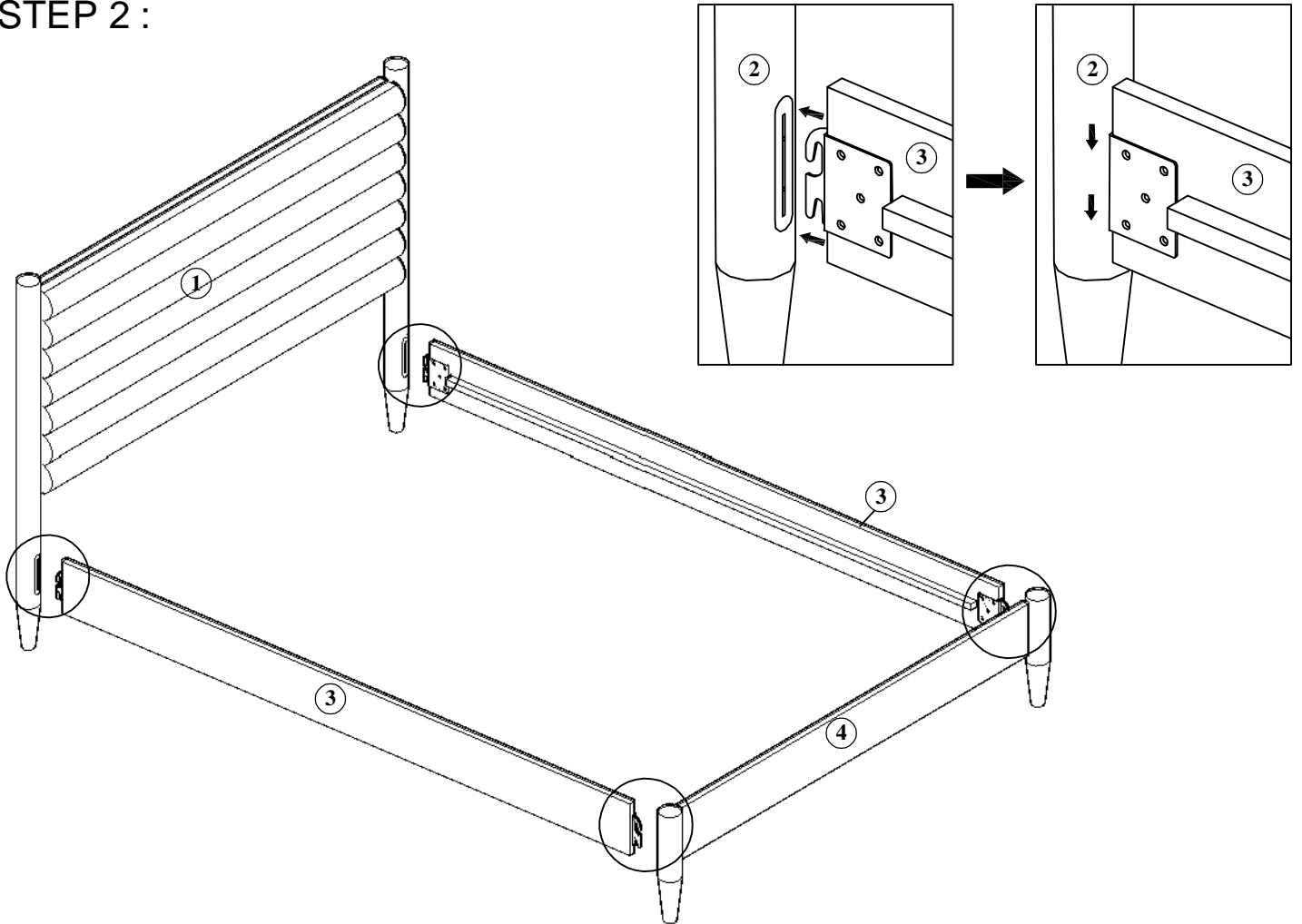
STEP 1 :

Remarks:
arrows sticker points upward

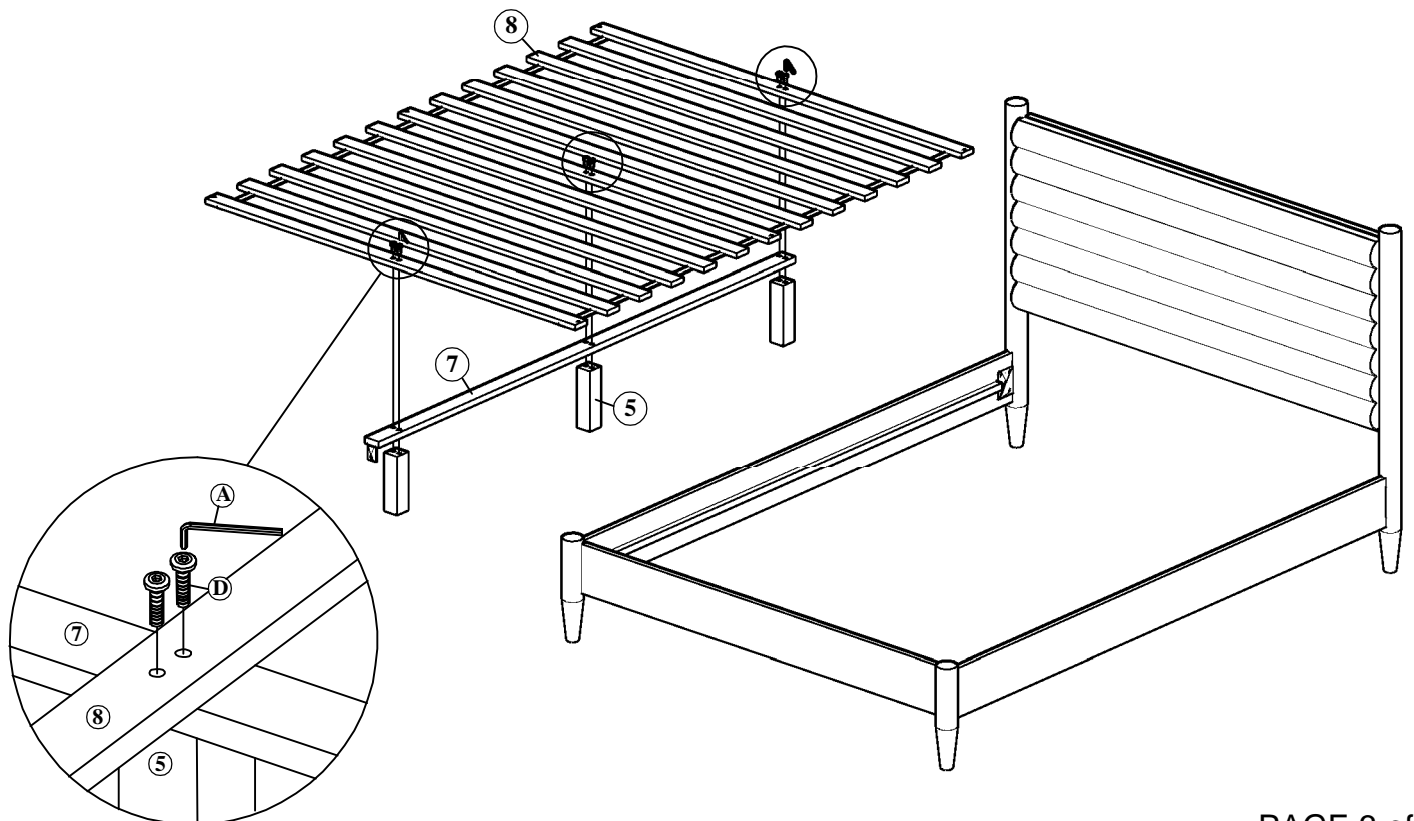


ASSEMBLY INSTRUCTIONS

STEP 2 :

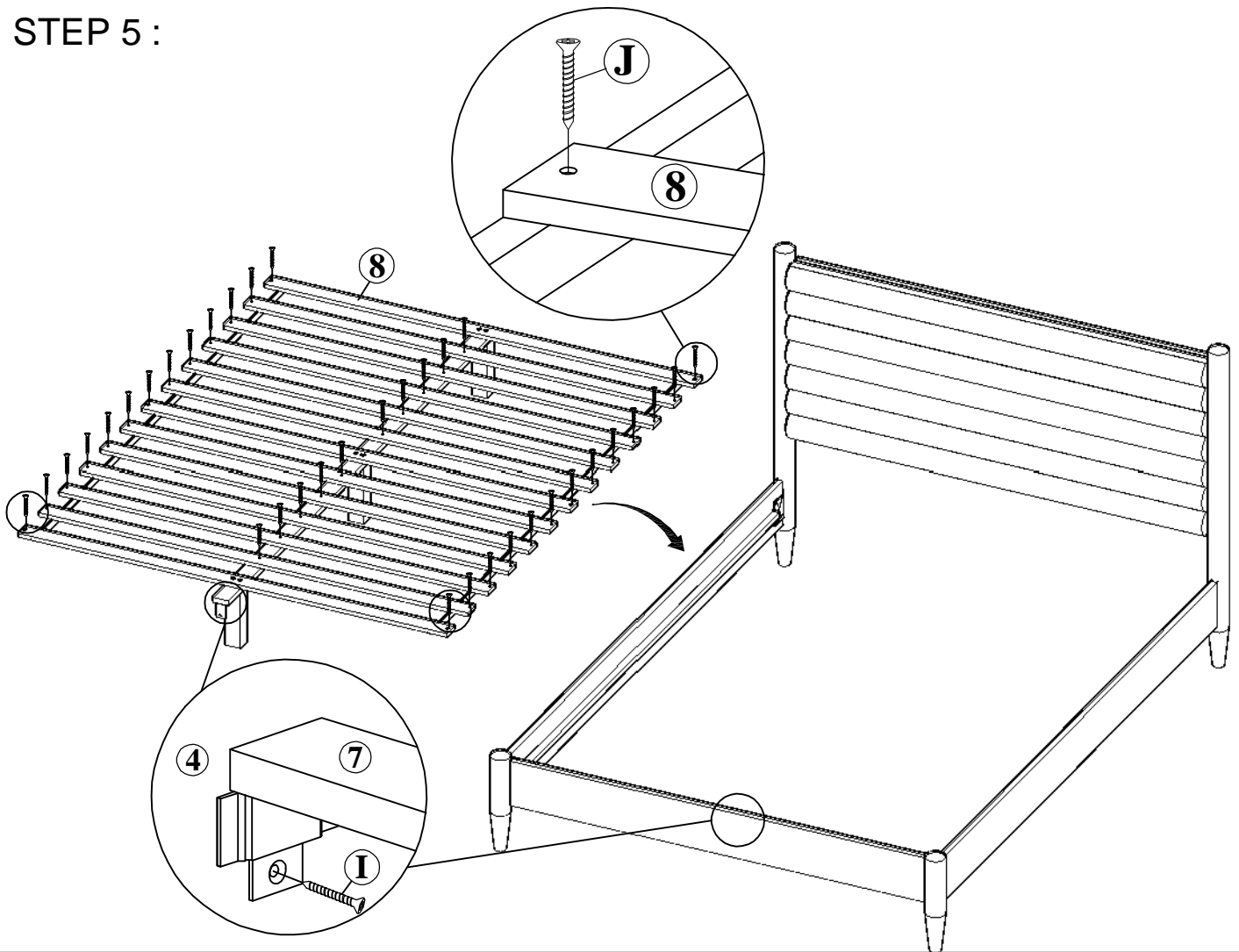


STEP 3 :



ASSEMBLY INSTRUCTIONS

STEP 5 :



COMPLETE VIEW

IMPORTANT

Please lift up the bed to move
with 2 or more people.

DO NOT DRAG THE BED!

