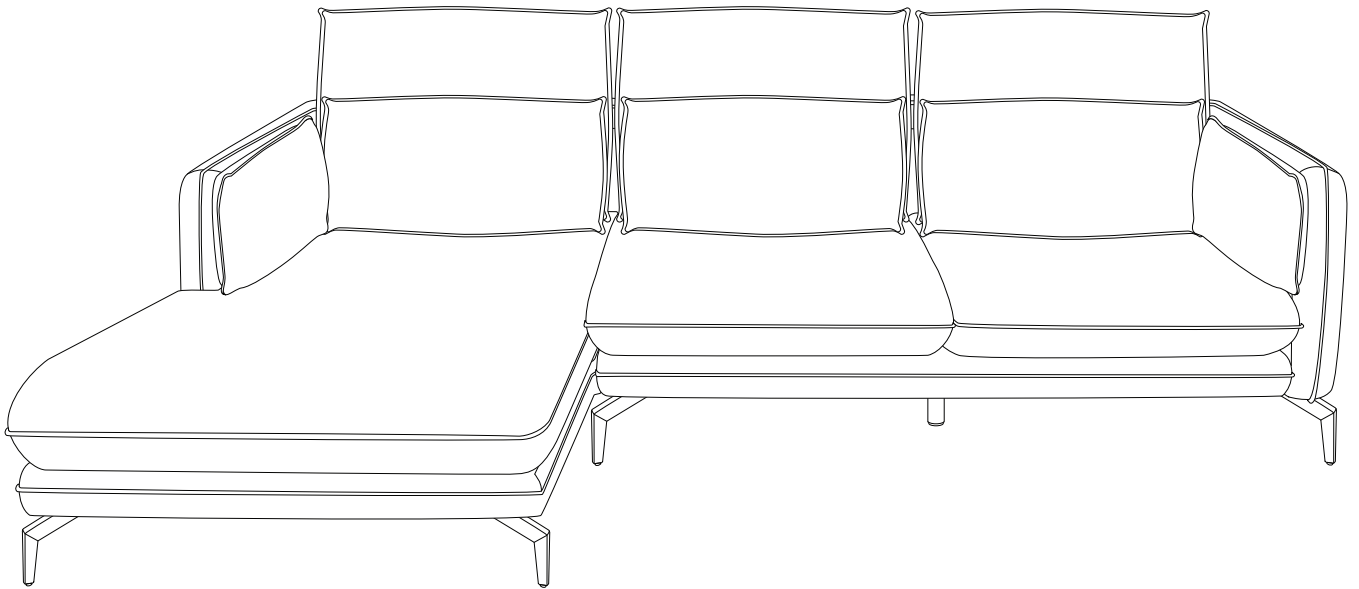
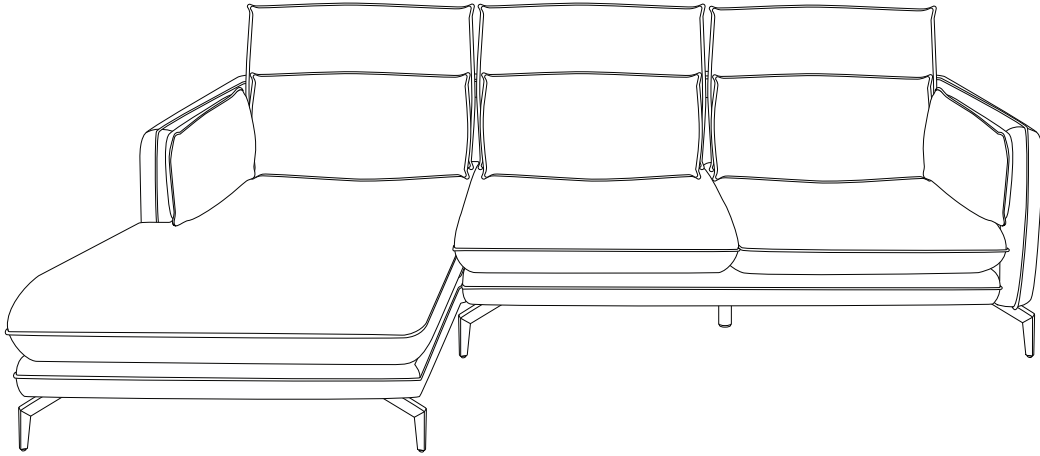


# GALLO

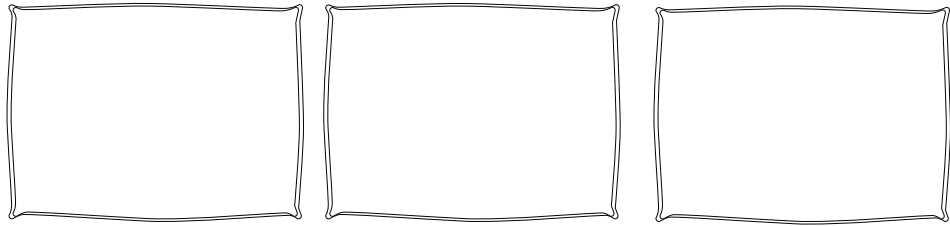




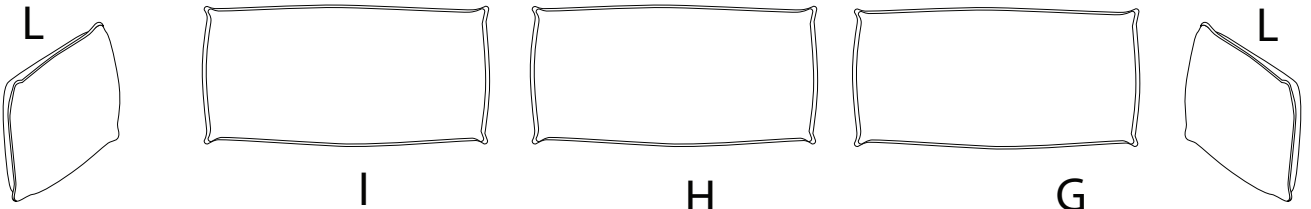
Assembly instructions for step 1/6:

- Tools:** A circular icon shows a screwdriver. A power drill icon is crossed out with a diagonal line, indicating it should not be used.
- Warning:** A triangle with an exclamation mark indicates a warning.
- Time:** A clock icon is shown above the number "20'", indicating an estimated assembly time of 20 minutes.
- Personnel:** A person icon is shown above the number "2", indicating that two people are required for assembly.

Jx3



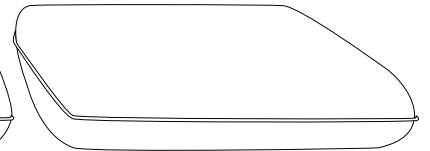
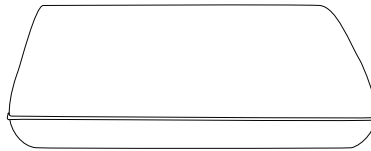
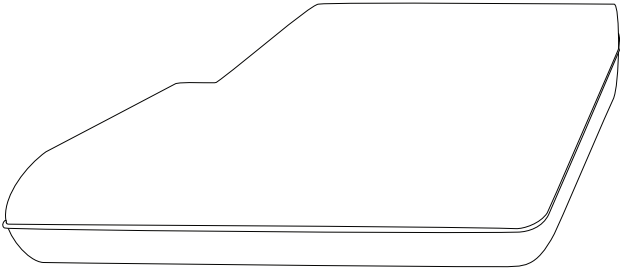
Kx3



I

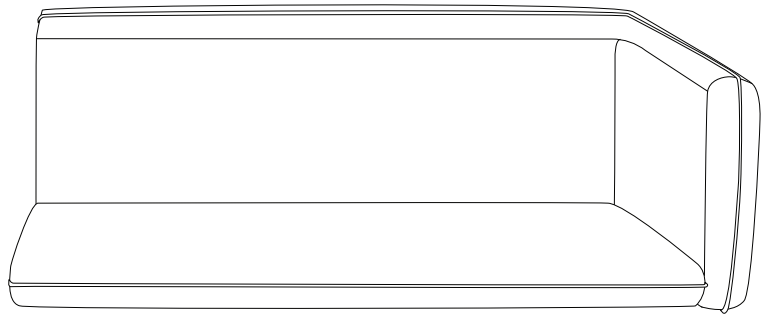
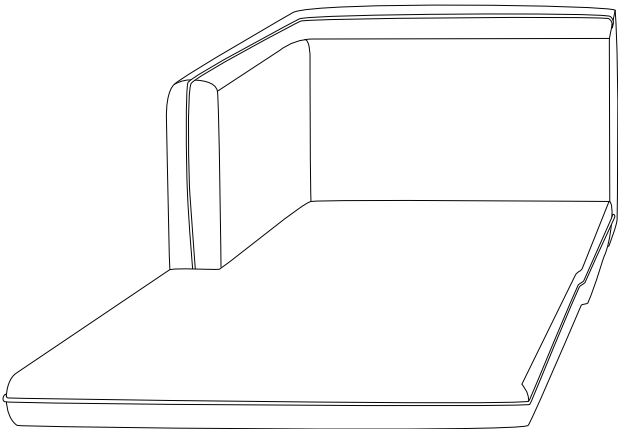
H

G



B

A



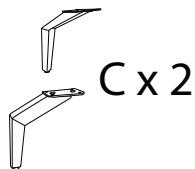
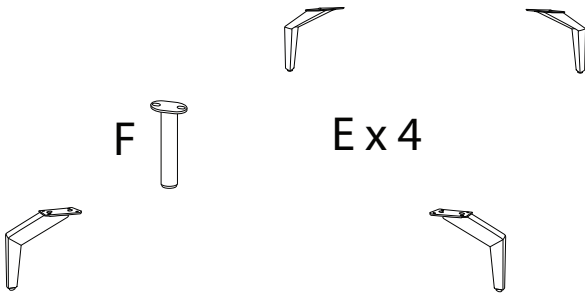
F

Ex4

Cx2

D

Cx2

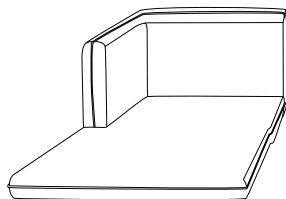


A



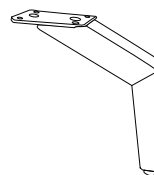
x 1

B



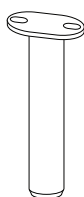
x 1

C



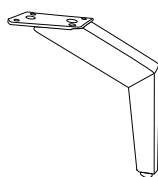
x 4

D



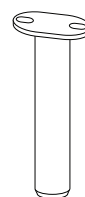
x 1

E



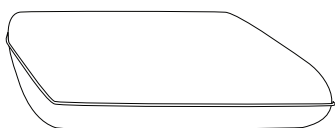
x 4

F



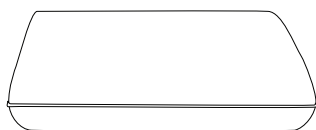
x 1

G



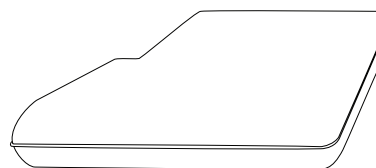
x 1

H



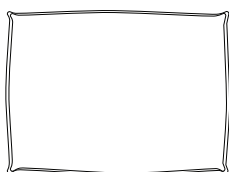
x 1

I



x 1

J



x 3

K



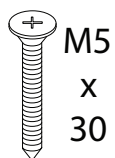
x 3

L



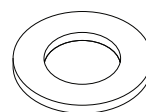
x 2

M



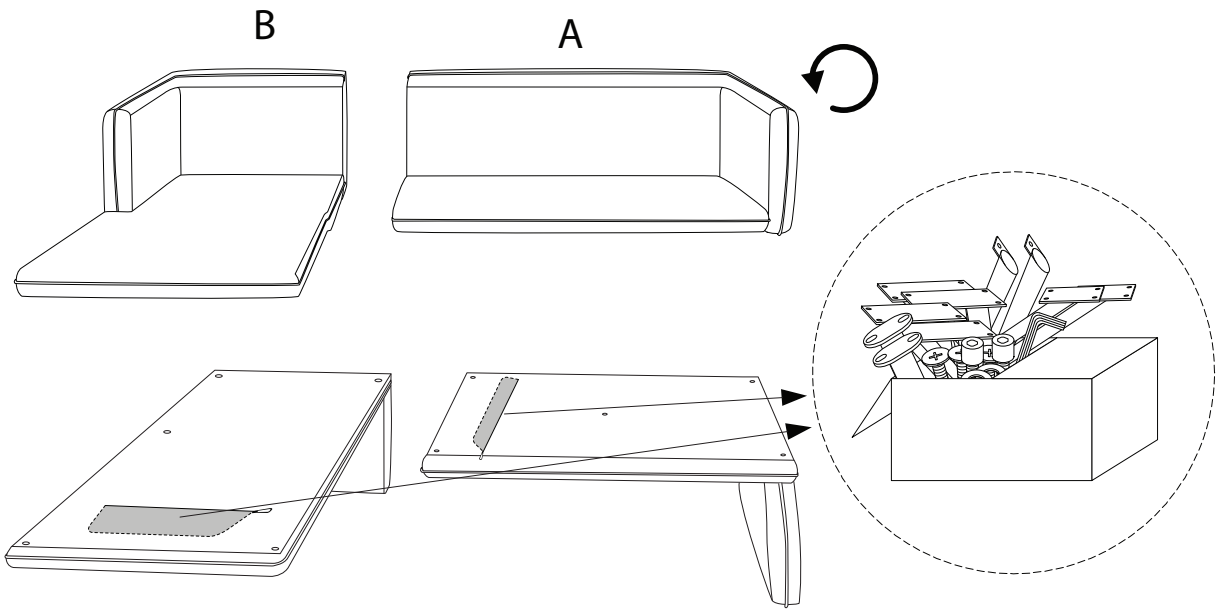
x 36

N

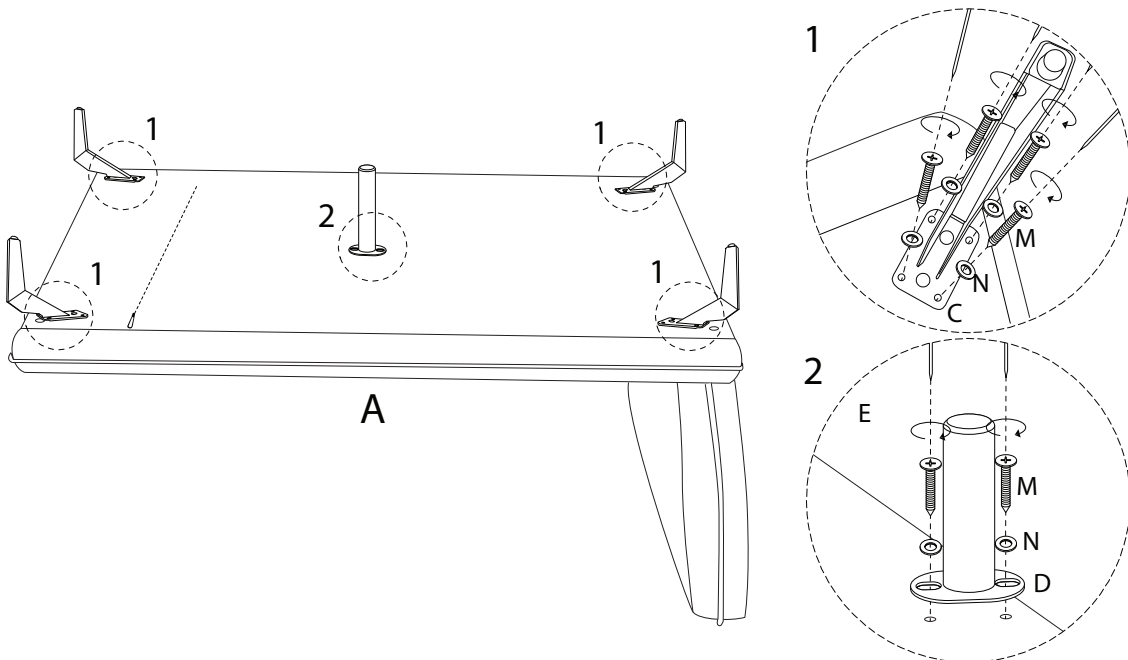
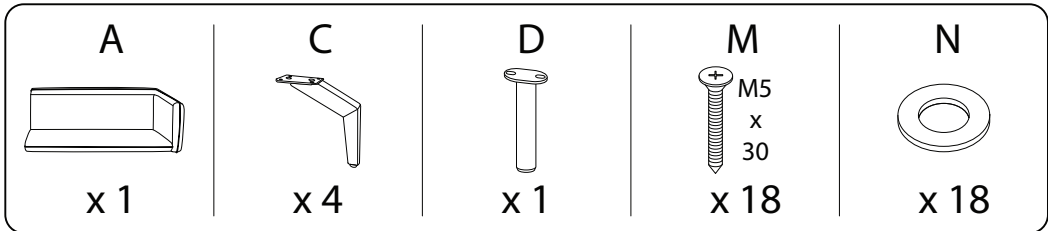


x 36

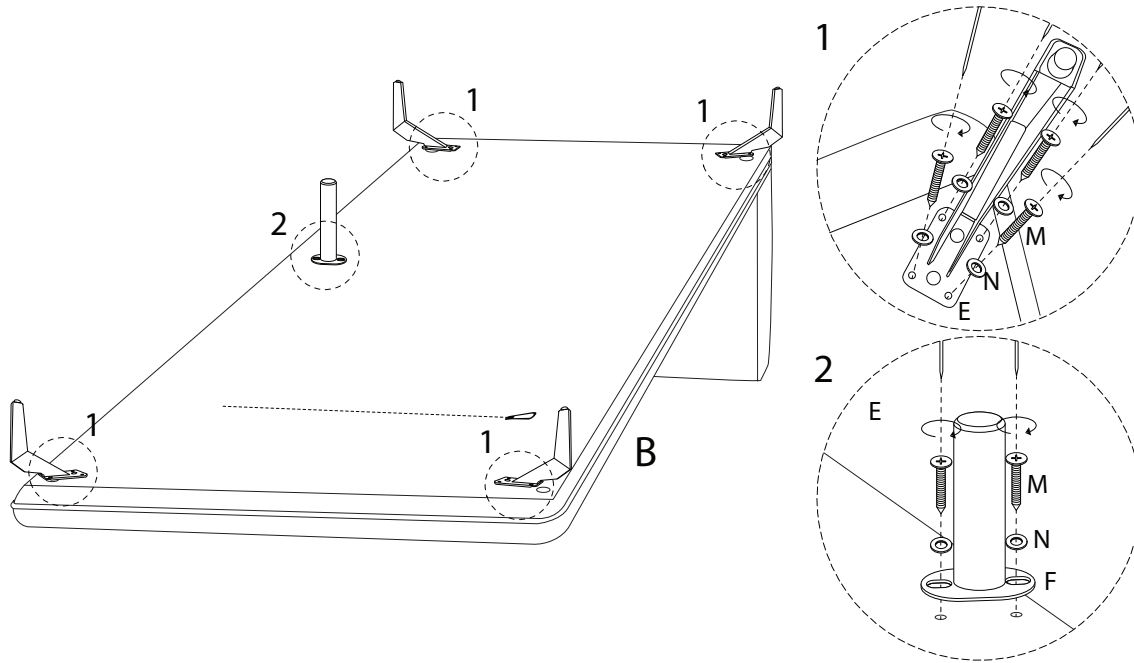
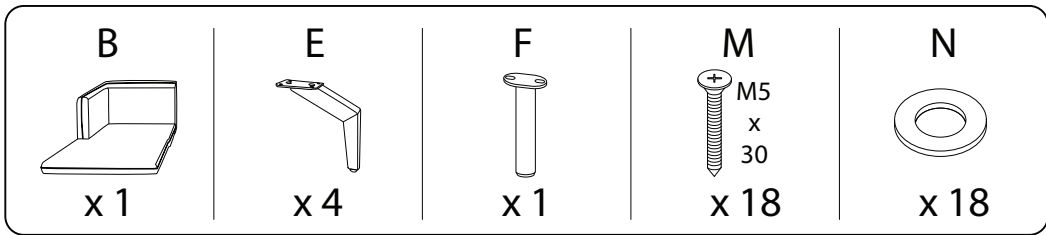
!



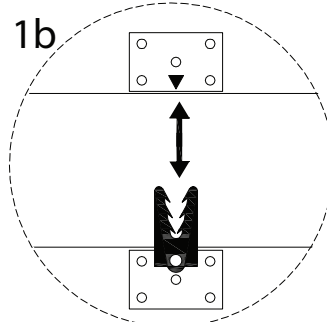
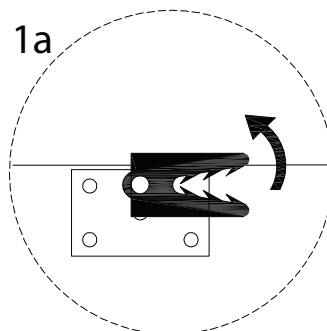
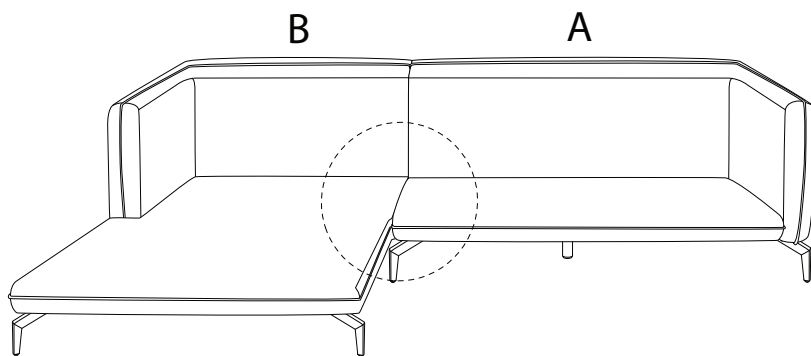
1




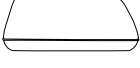
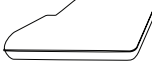



2



!



3

G	H	I	J	K	L
					
x1	x1	x1	x3	x3	x2

