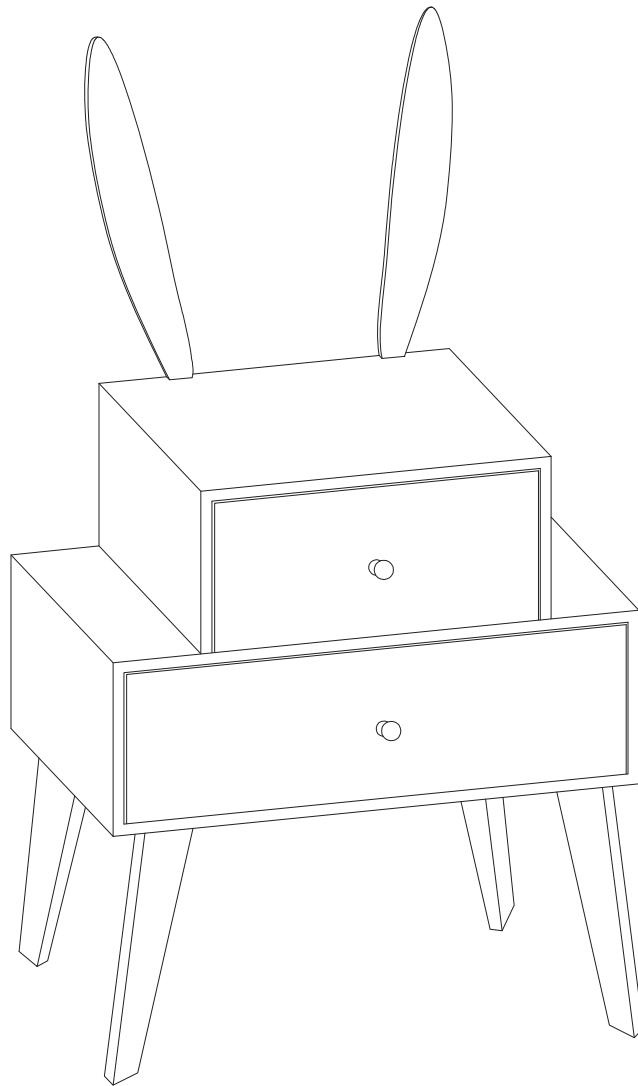
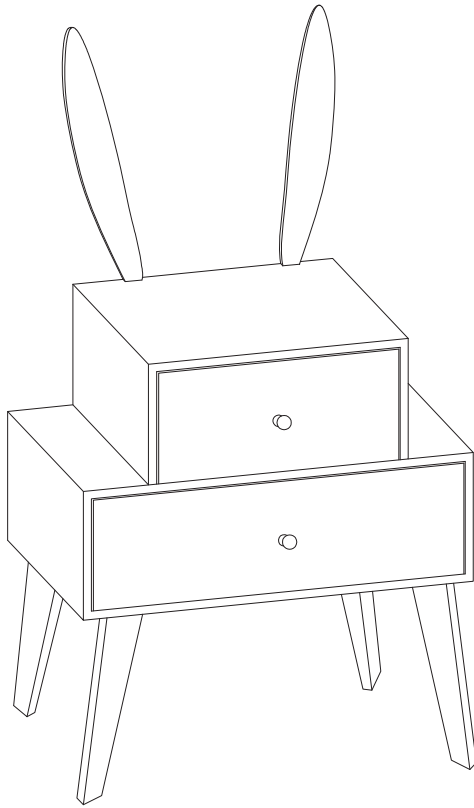


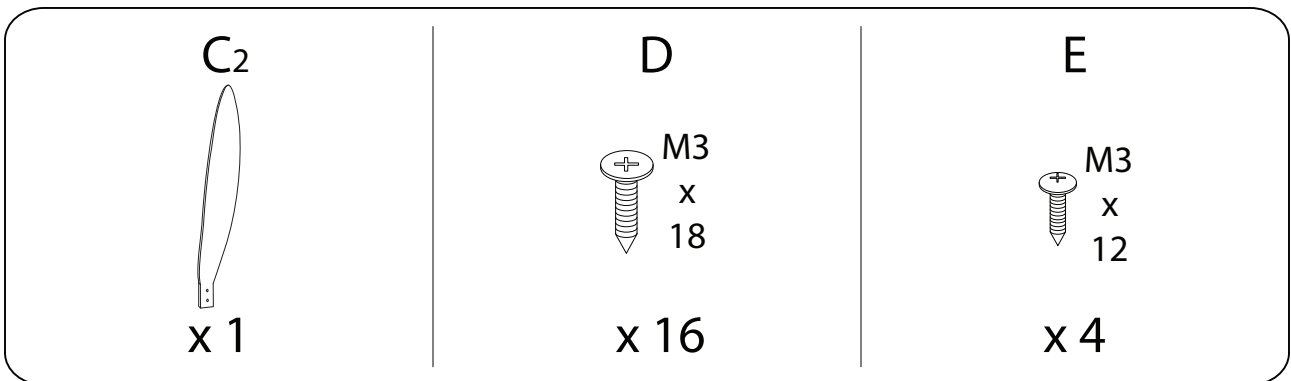
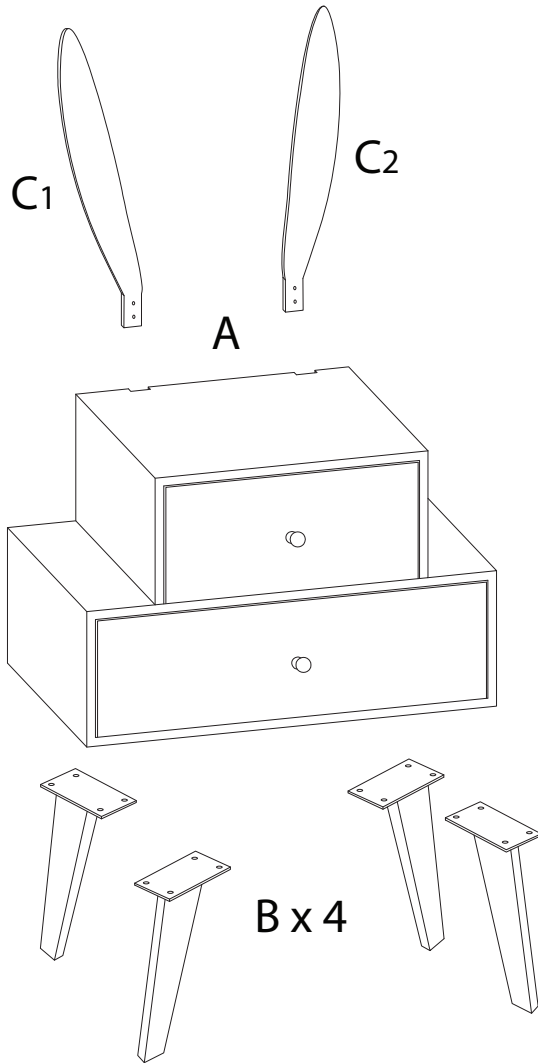
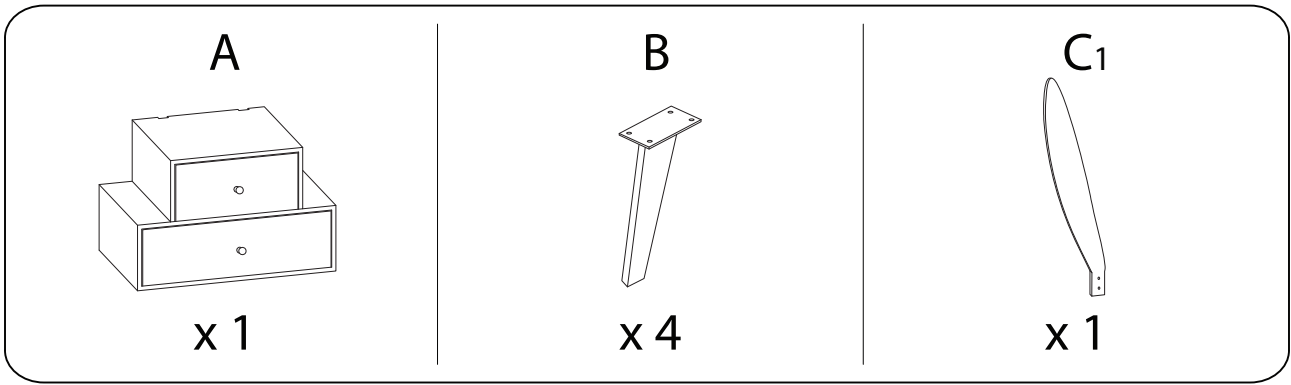
# BANKS



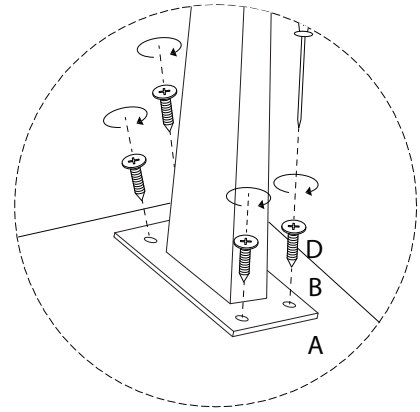
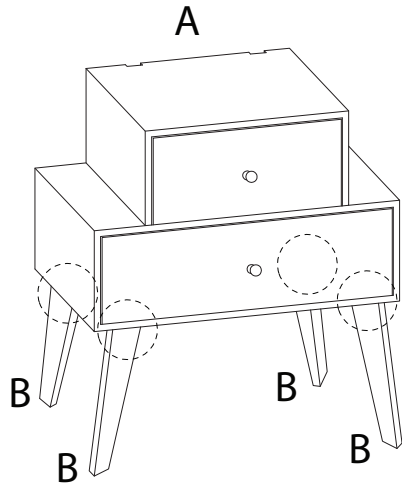
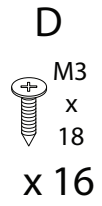
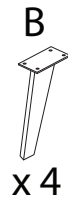
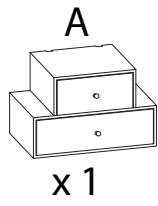


Assembly instructions for step 1/3:

- Tools:** A screwdriver is shown as the required tool. A power drill is shown with a diagonal line through it, indicating it is not to be used.
- Warning:** A warning triangle with an exclamation mark is positioned above the tool icons.
- Time:** A clock icon is shown next to the text "15'", indicating a 15-minute assembly time.
- Personnel:** A person icon is shown next to the number "1", indicating that one person is required for assembly.
- Diagram:** A diagram shows a rectangular block being placed on a surface with a textured edge. A second diagram shows the block being secured to the surface with a screw, with a diagonal line through it indicating the correct placement.



1



2

