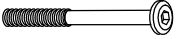
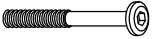





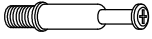

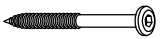




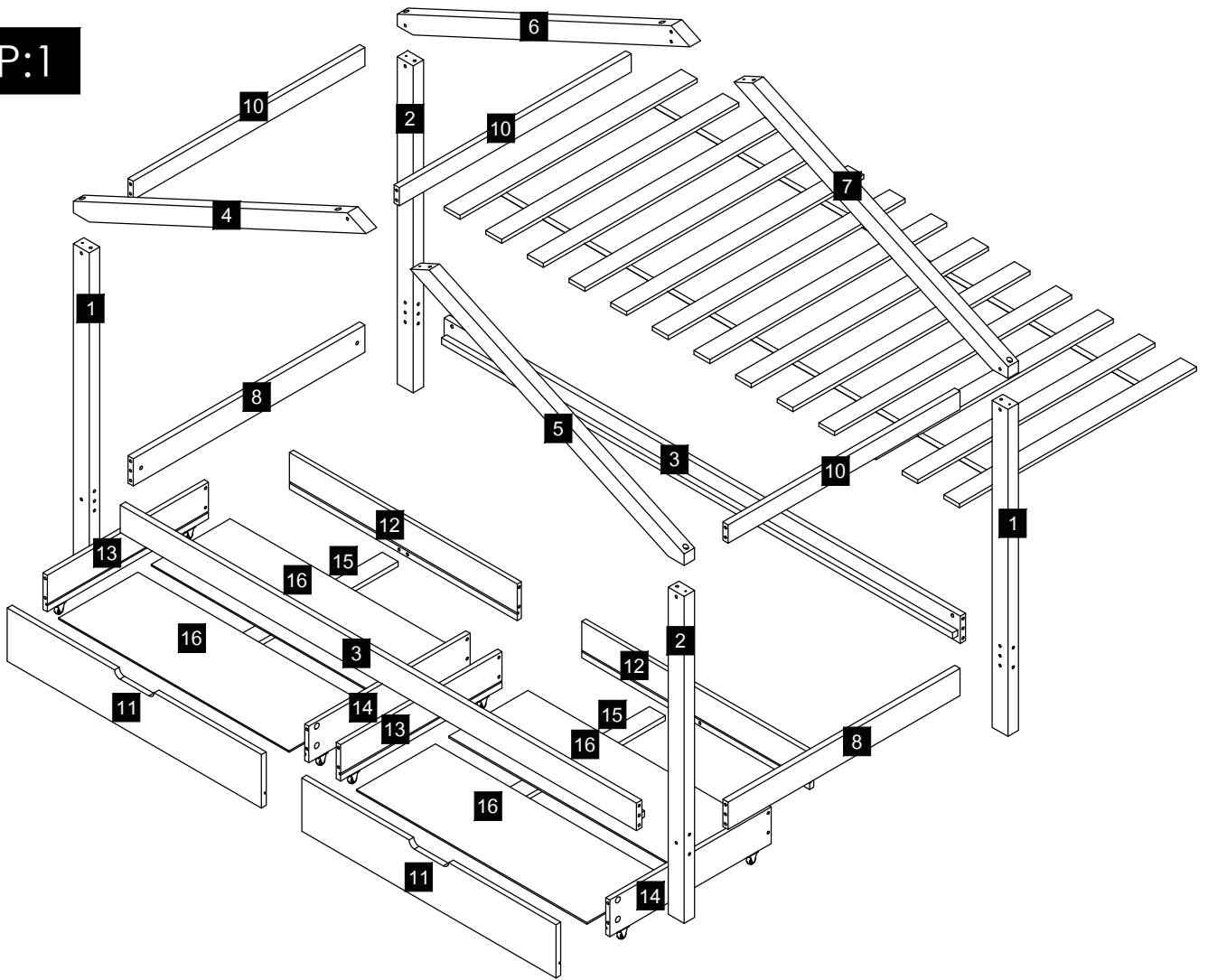


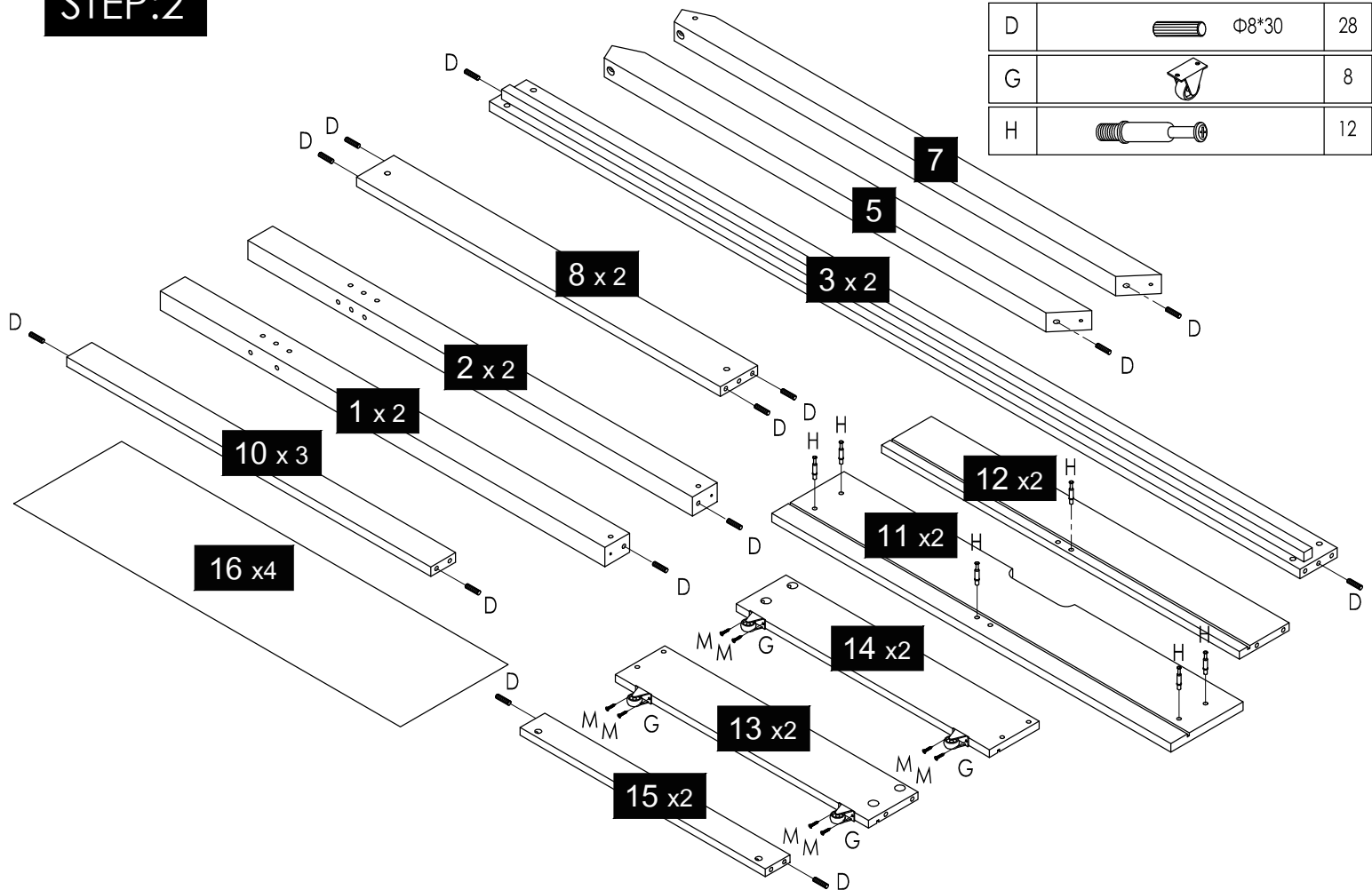
|   |   |        |    |
|---|---|--------|----|
| A |  | M6*100 | 8  |
| B |  | M6*80  | 4  |
| C |  |        | 12 |
| D |  | Φ8*30  | 28 |
| E |  | Φ7*50  | 8  |
| F |  |        | 1  |
| G |  |        | 8  |




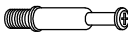
|   |   |        |    |
|---|---|--------|----|
| H |   |        | 12 |
| J |  |        | 12 |
| K |   | Φ6*80  | 10 |
| L |   | Φ6*110 | 2  |
| M |  | 3*16   | 16 |
| N |  | 4*30   | 26 |
| P |   | 850 mm | 2  |

# STEP:1

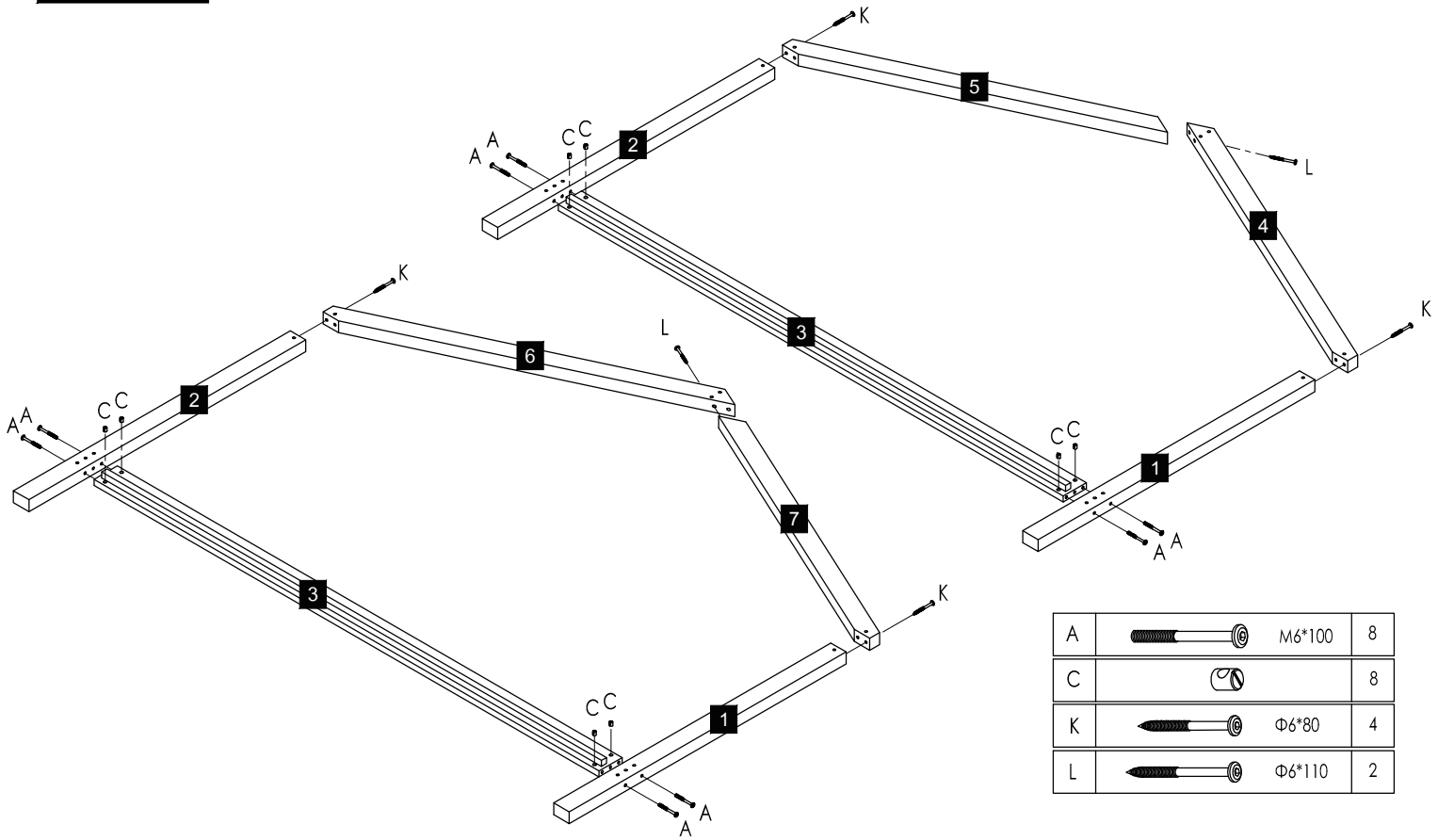


# STEP:2

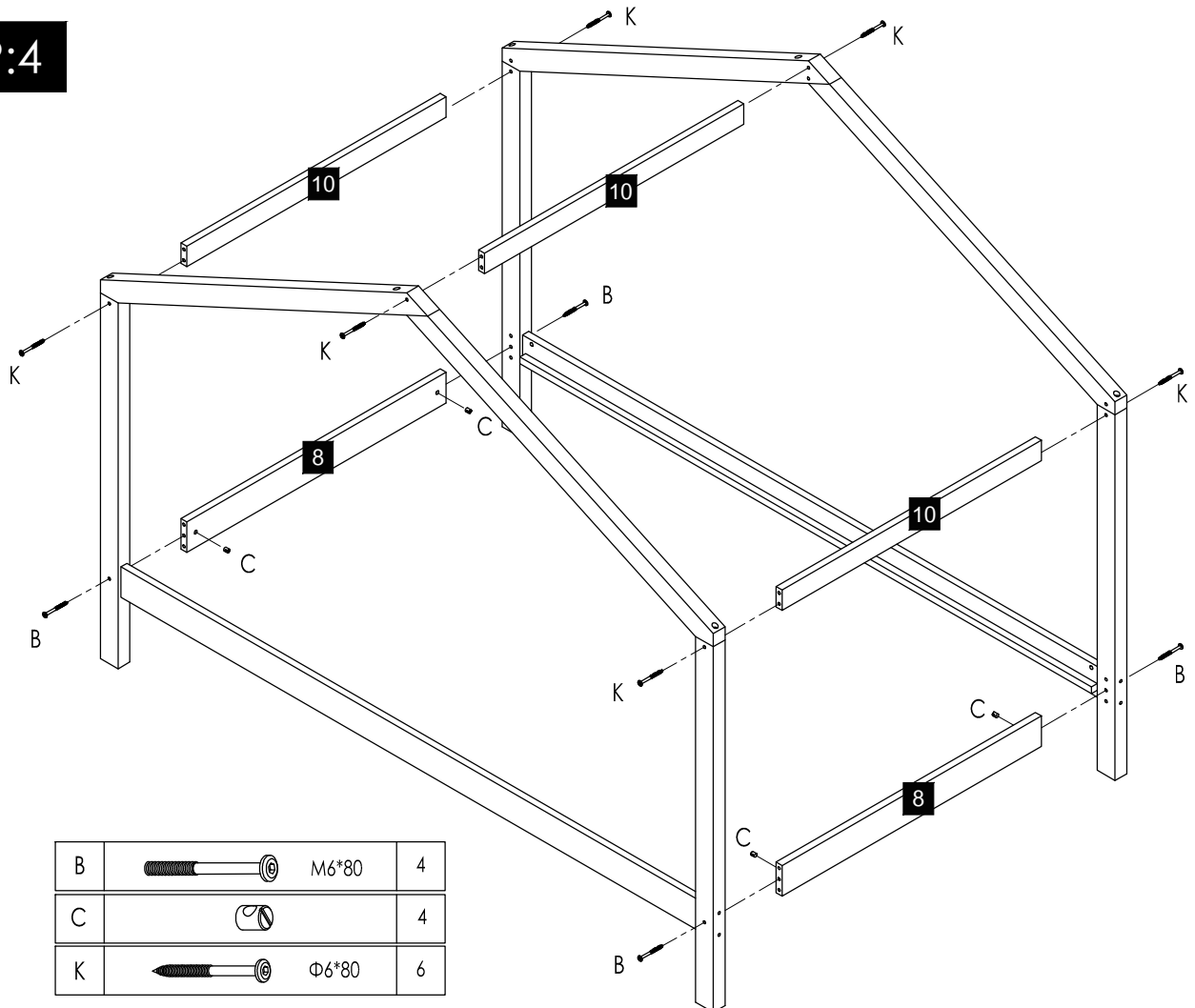


|   |   |       |    |
|---|---|-------|----|
| M |  | 3*16  | 16 |
| D |  | Φ8*30 | 28 |
| G |  |       | 8  |
| H |  |       | 12 |

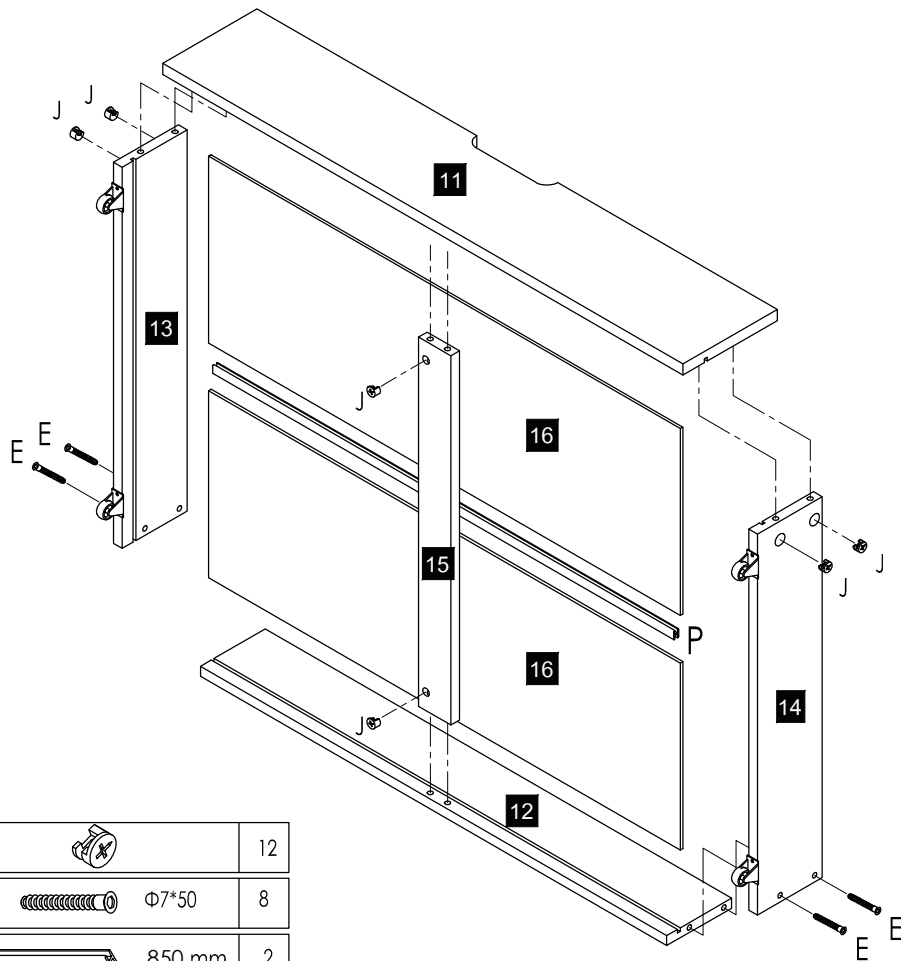
# STEP:3



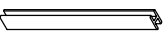


# STEP:4

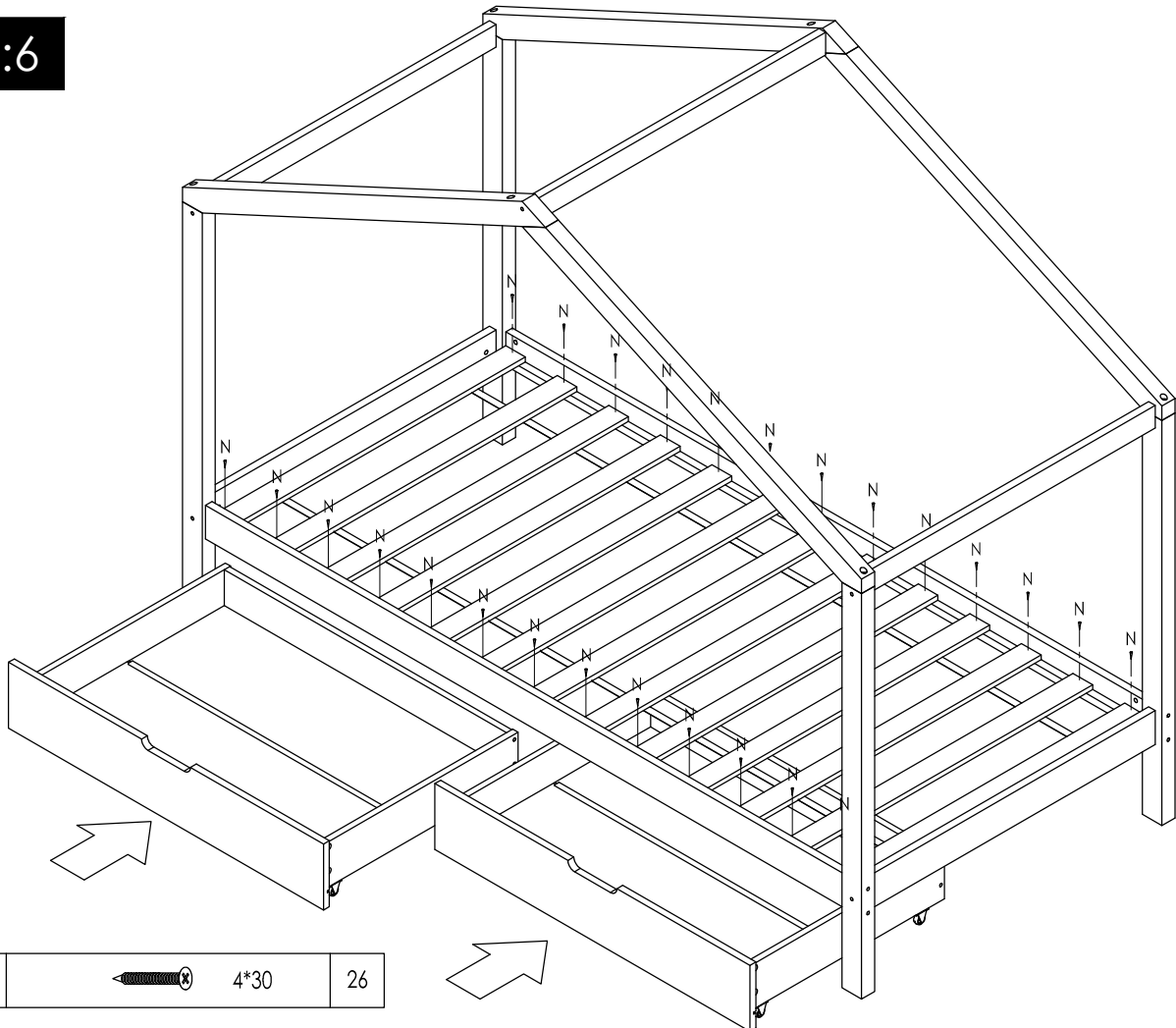



# STEP:5 x2



|   |  |    |
|---|--|----|
| J |                     | 12 |
| E |  $\Phi 7 \times 50$ | 8  |
| P |  850 mm            | 2  |

# STEP:6



|   |  |    |
|---|--|----|
| N |  4*30 | 26 |
|---|--|----|