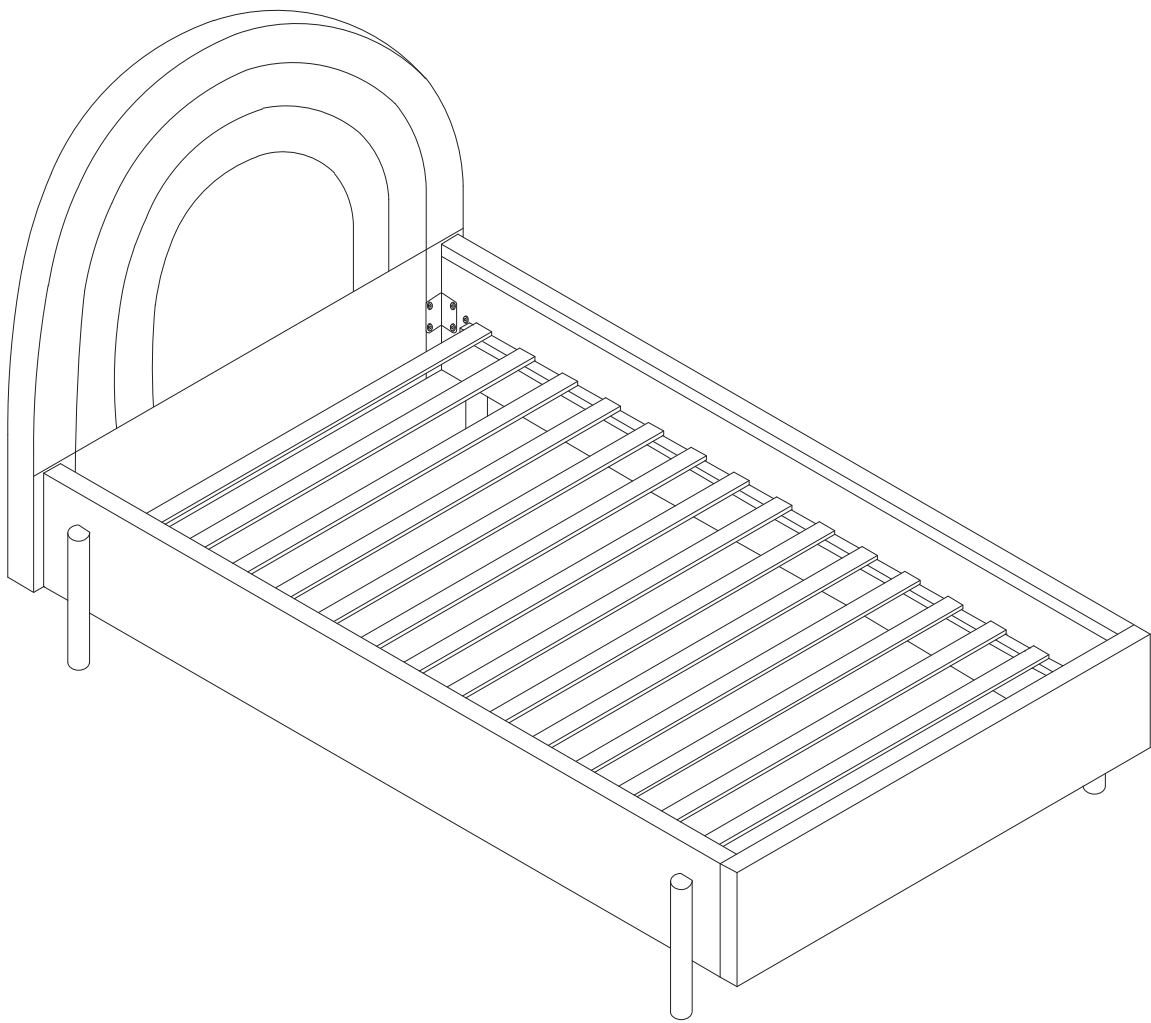


ANET



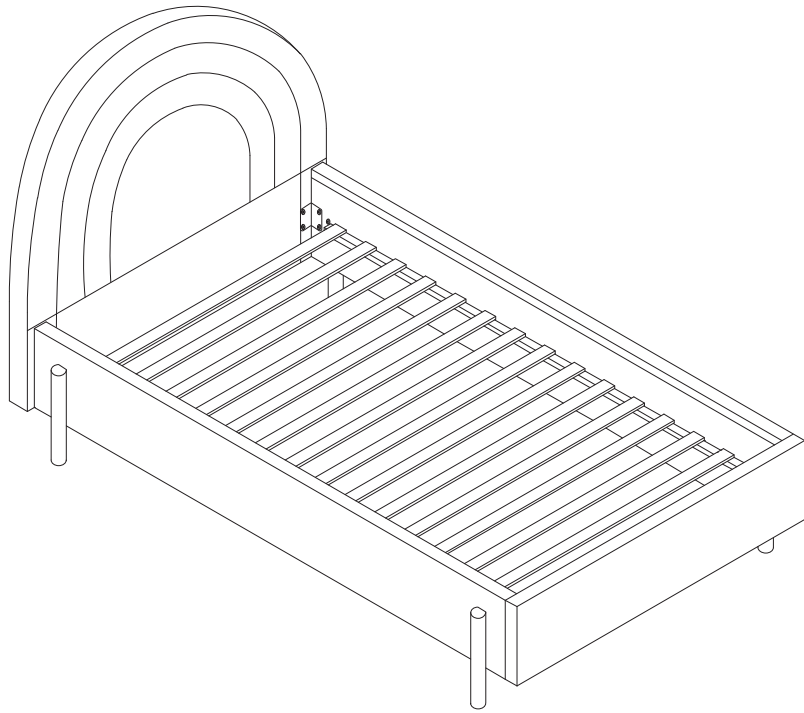
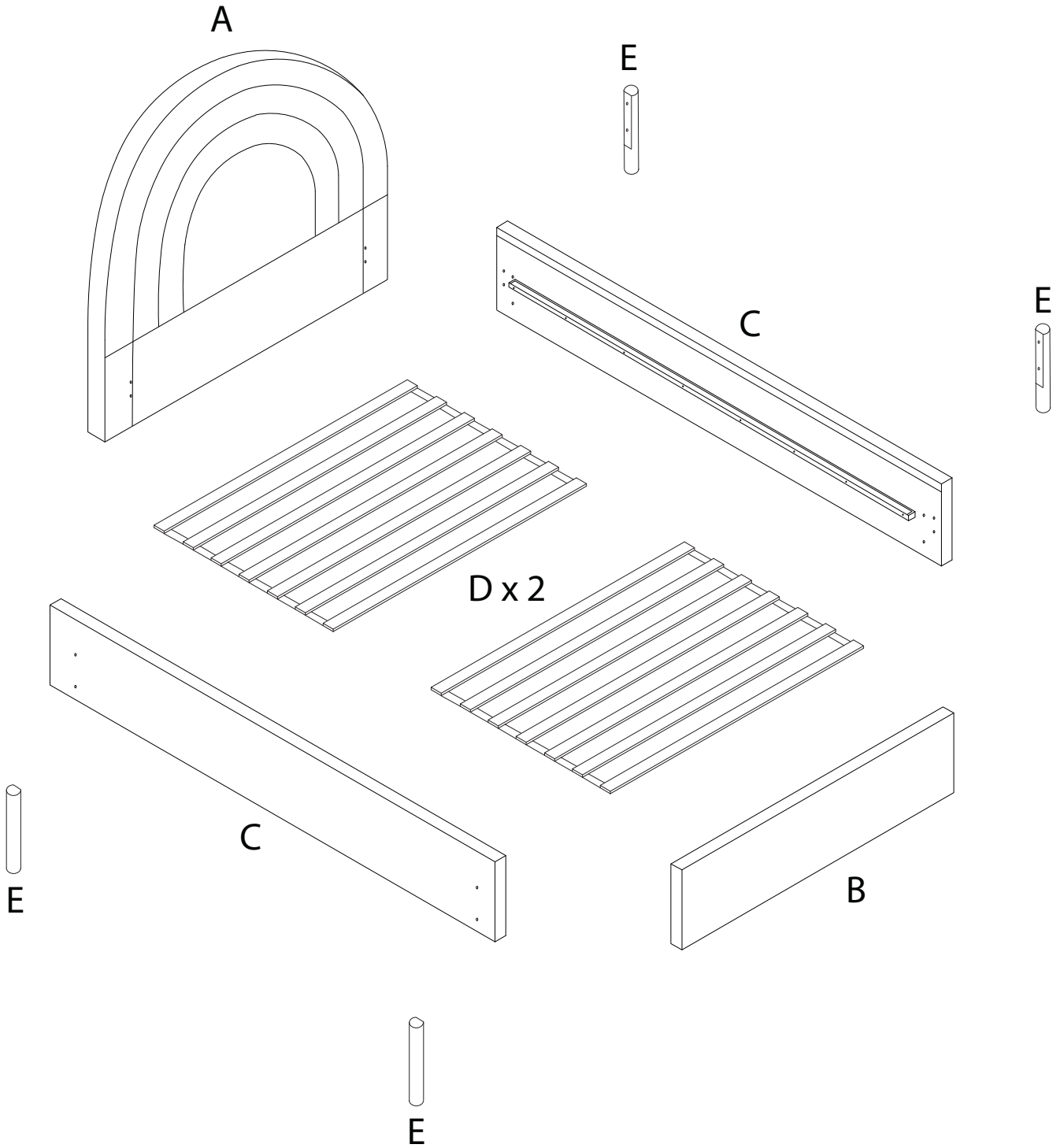
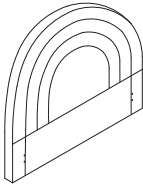


Diagram illustrating assembly steps and safety warnings:

- Step 1:** Shows an L-shaped metal bracket and a power drill with a slash through it, indicating that a power drill should not be used. A warning triangle with an exclamation mark is present.
- Step 2:** Shows a rectangular block being placed on a surface and another block being secured with a screw. A warning triangle with an exclamation mark is present.
- Time:** A clock icon indicates a duration of 30'.
- Personnel:** An icon of a person and the number 2 indicate that two people are required for assembly.

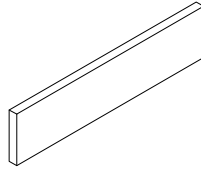


A



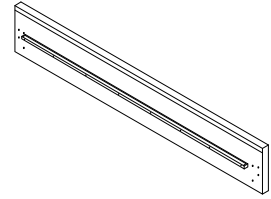
x 1

B



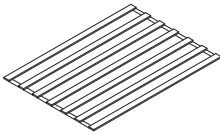
x 1

C



x 2

D



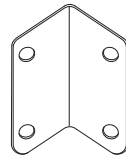
x 2

E



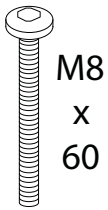
x 4

F



x 4

G



M8
x
60

x 8

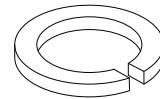
H



M8
x
30

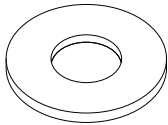
x 16

I



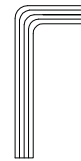
x 24

J



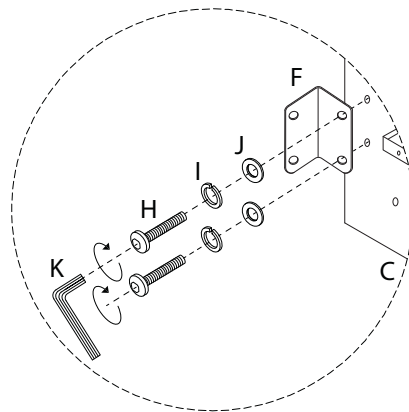
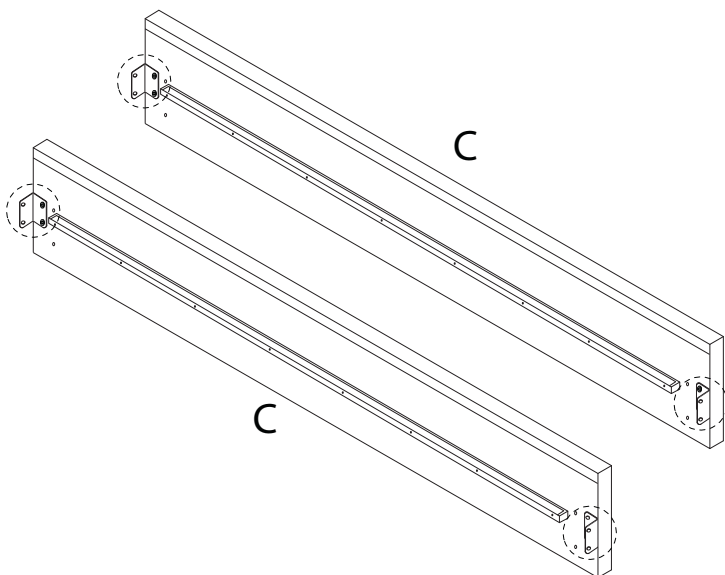
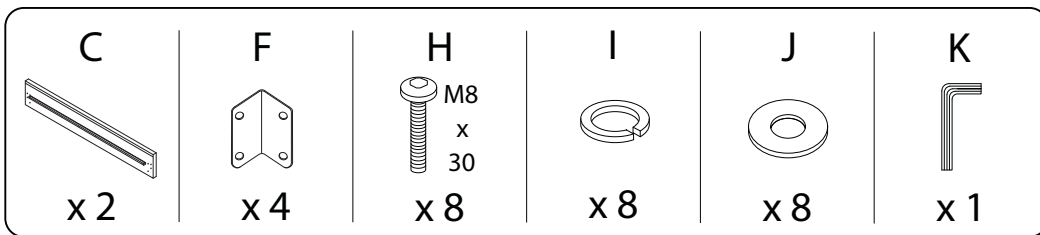
x 24

K

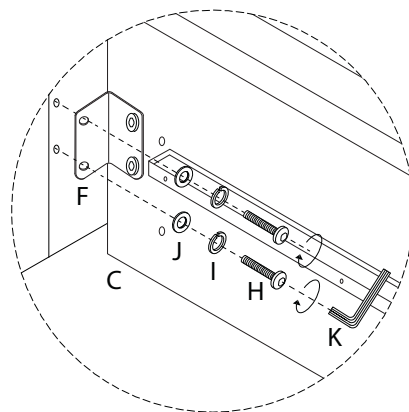
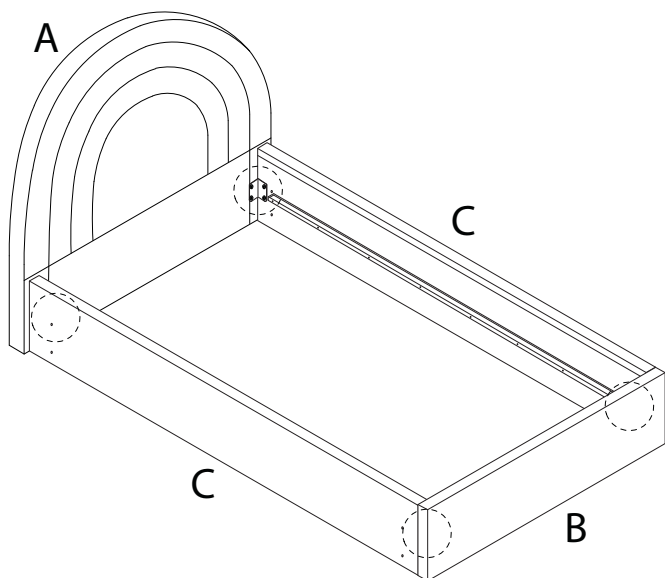
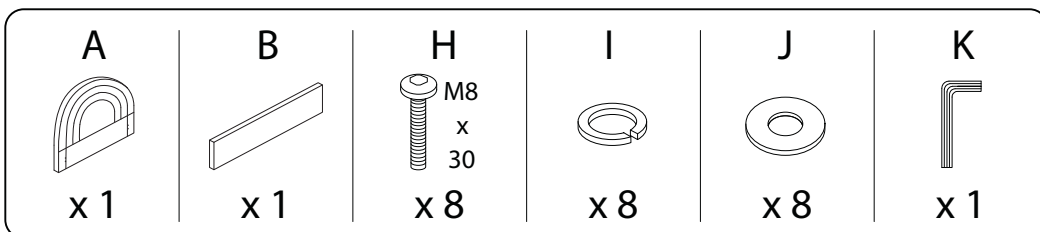


x 1

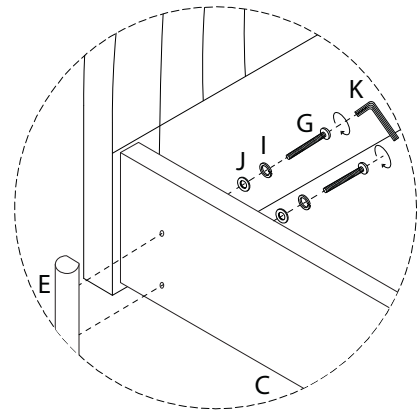
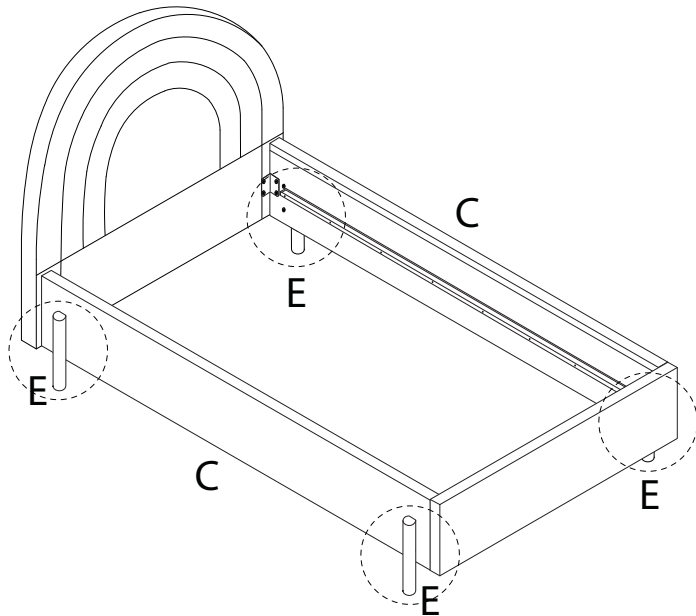
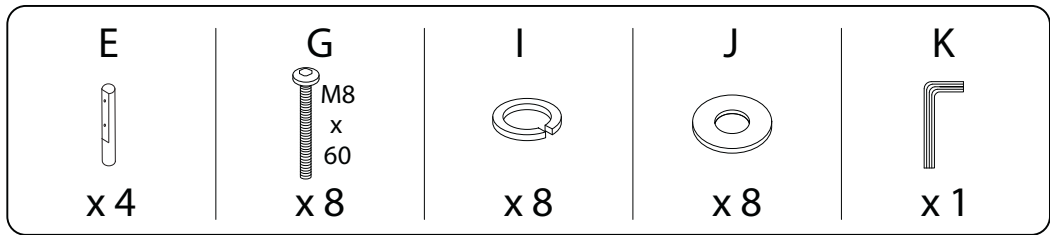
1



2



3



4

