

No.

Qty

No.

Qty

E



2

E1



12

E2



8

F



24

G



2

H

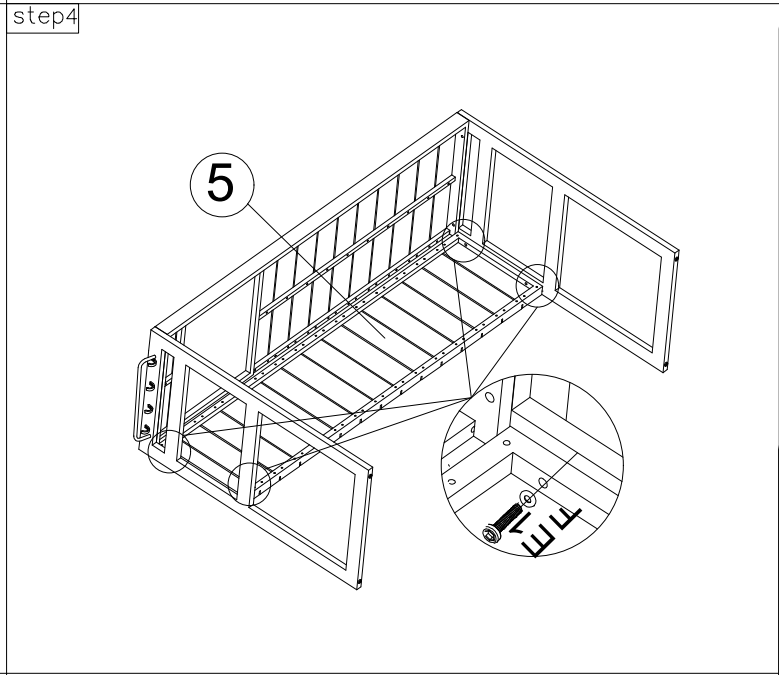
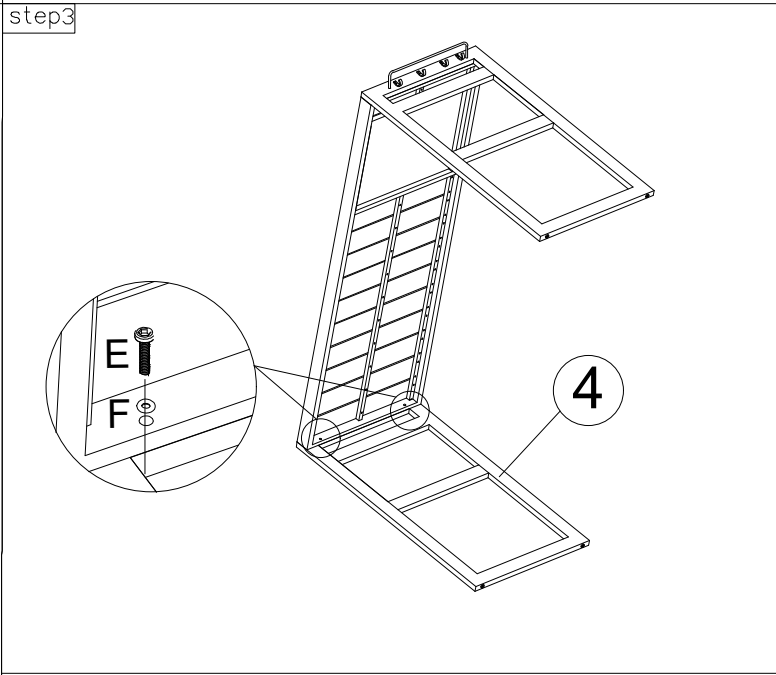
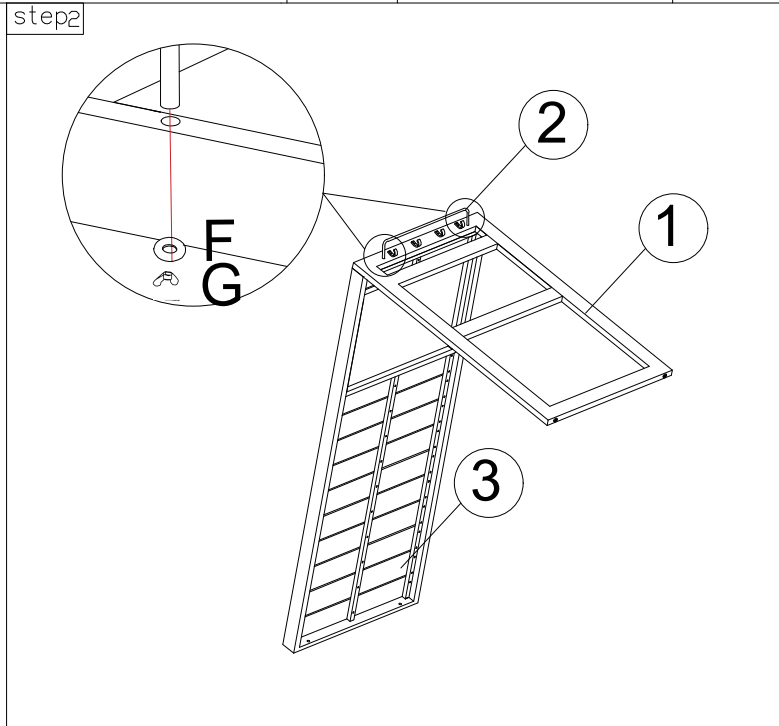
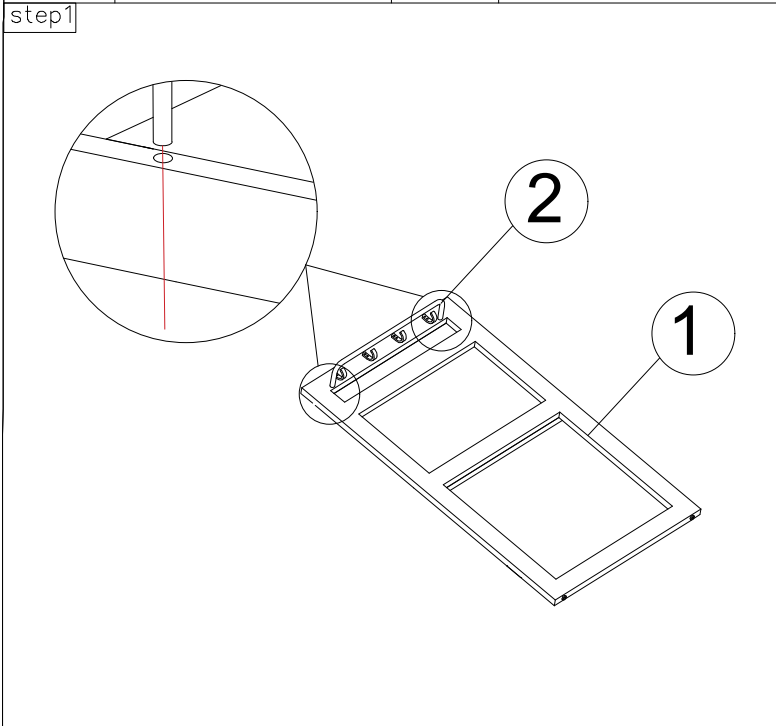


1

PLEASE KINDLY NOTE THAT AFTER ASSEMBLED, THEN TIGHTEN ALL THE SCREWS!  
IF YOU FEEL IT'S HARD TO SCREW IN, PLEASE TAKE BACK A LITTLE , THEN TRY AGAIN!



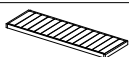
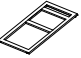
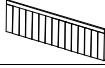

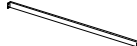


# ASSEMBLY INSTRUCTION






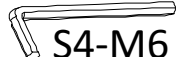
No.		Qty	No.		Qty
1		1	E	M6*30	2
2		1	E1	M6*35	12
3		1	E2	M6*20	8
4		1	F	M6	24
5		1	G		2
6		1	H		1
7		2			
8		1			
9		1			



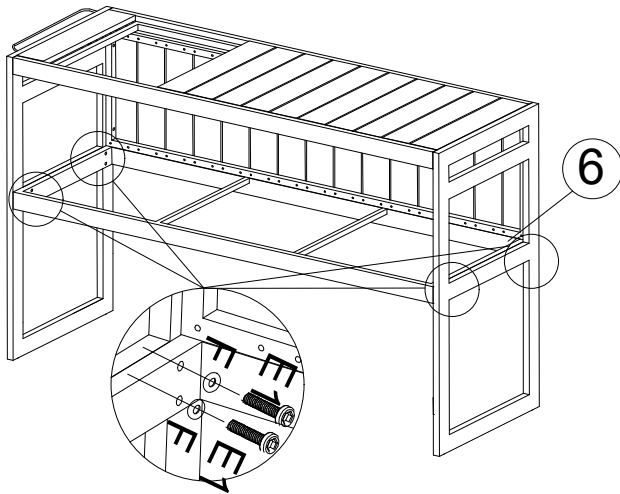
PLEASE KINDLY NOTE THAT AFTER ASSEMBLED, THEN TIGHTEN ALL THE SCREWS!  
IF YOU FEEL IT'S HARD TO SCREW IN,PLEASE TAKE BACK A LITTLE ,THEN TRY AGAIN!

# ASSEMBLY INSTRUCTION

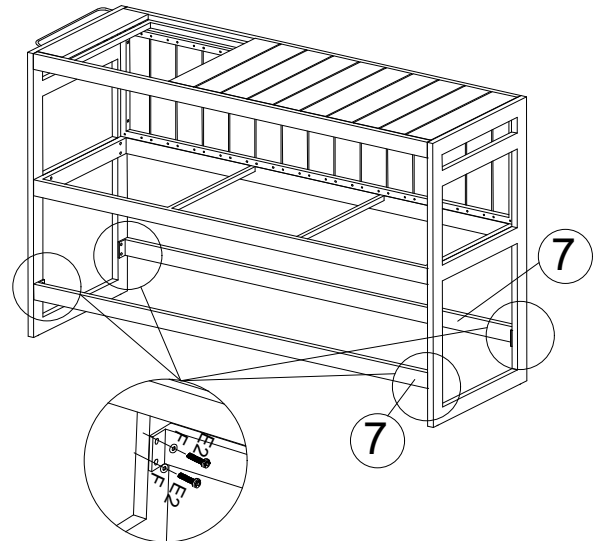
No.		Qty
1		1
2		1
3		1
4		1
5		1
6		1
7		2
8		1
9		1

No.		Qty
E	 M6*30	2
E1	 M6*35	12
E2	 M6*20	8
F	 M6	24
G		2
H	 S4-M6	1

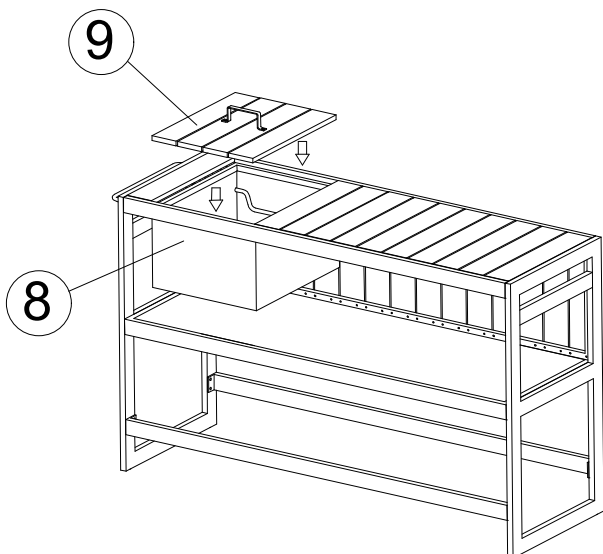
step1



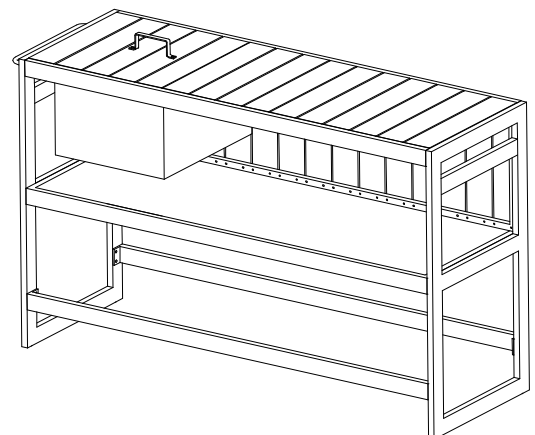
step2



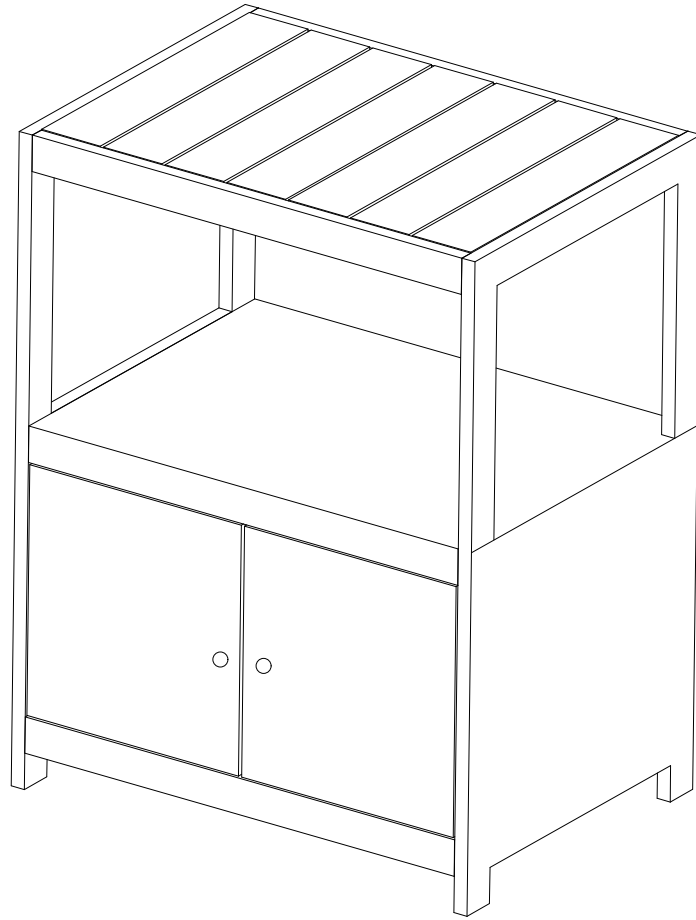
step3



step4



PLEASE KINDLY NOTE THAT AFTER ASSEMBLED, THEN TIGHTEN ALL THE SCREWS!  
IF YOU FEEL IT'S HARD TO SCREW IN, PLEASE TAKE BACK A LITTLE , THEN TRY AGAIN!



No.

Qty

No.

Qty

E

  
M6\*30

4

E1

  
M6\*35

12

F

  
M6


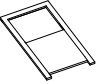
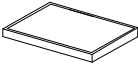

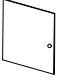
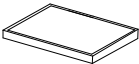
16




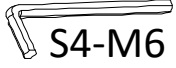
G

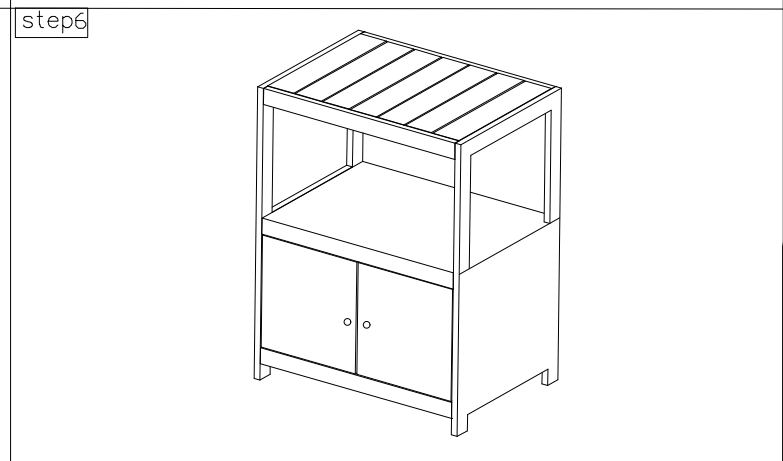
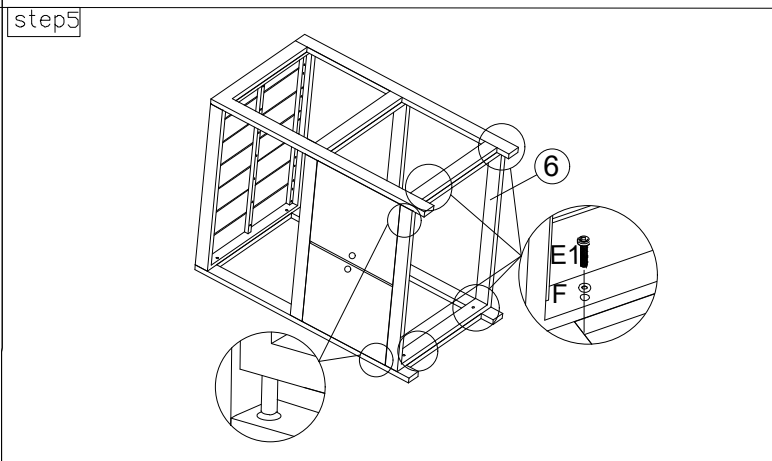
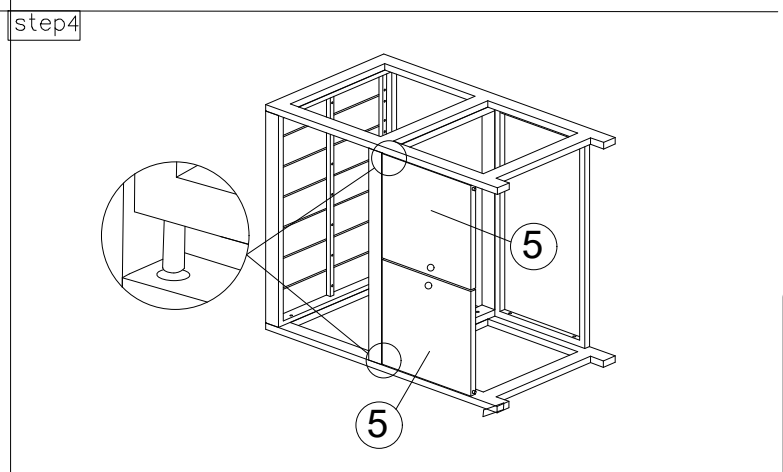
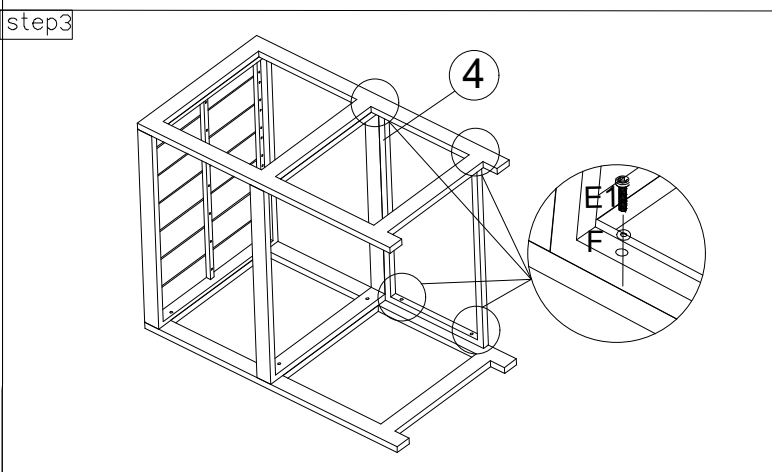
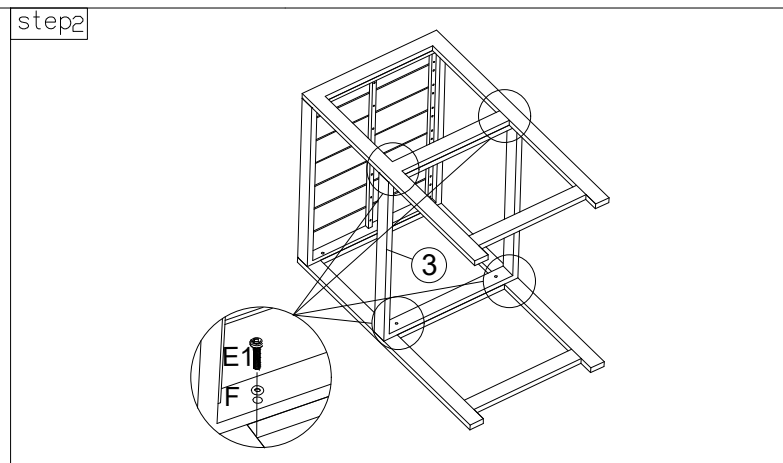
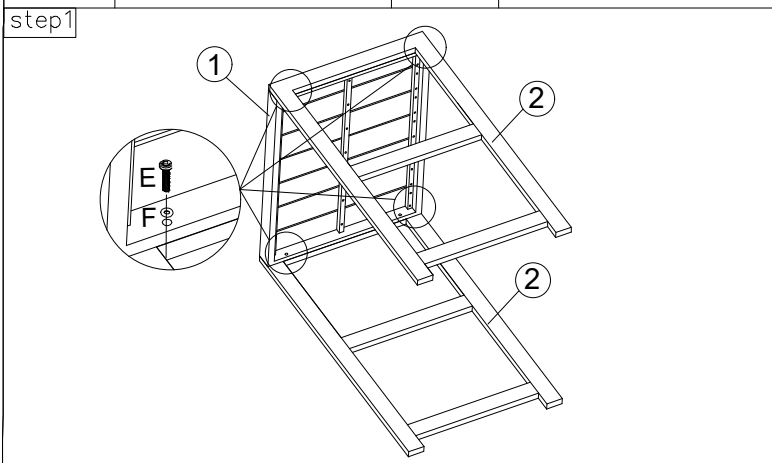
  
S4-M6

1

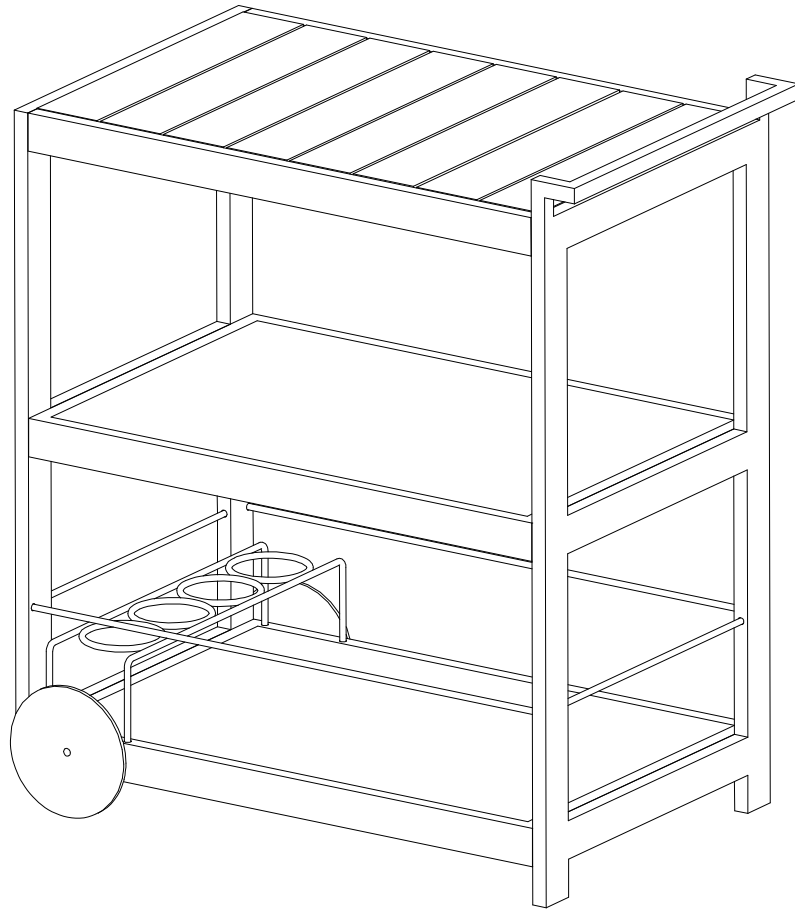
PLEASE KINDLY NOTE THAT AFTER ASSEMBLED, THEN TIGHTEN ALL THE SCREWS!  
IF YOU FEEL IT'S HARD TO SCREW IN, PLEASE TAKE BACK A LITTLE , THEN TRY AGAIN!



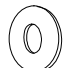


No.		Qty
1		1
2		2
3		1
4		1
5		2
6		1

No.		Qty
E	 M6*30	4
E1	 M6*35	12
F	 M6	16
G	 S4-M6	1



PLEASE KINDLY NOTE THAT AFTER ASSEMBLED, THEN TIGHTEN ALL THE SCREWS!  
IF YOU FEEL IT'S HARD TO SCREW IN, PLEASE TAKE BACK A LITTLE , THEN TRY AGAIN!

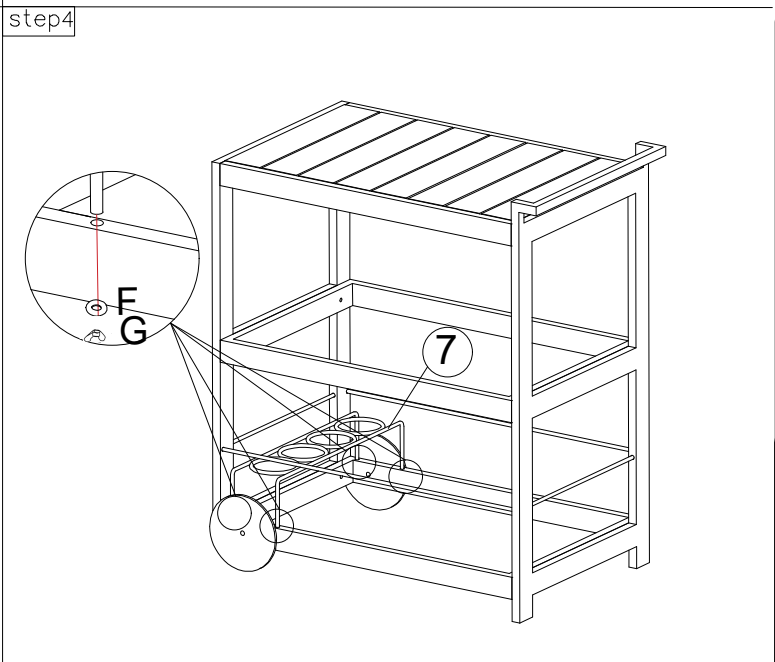
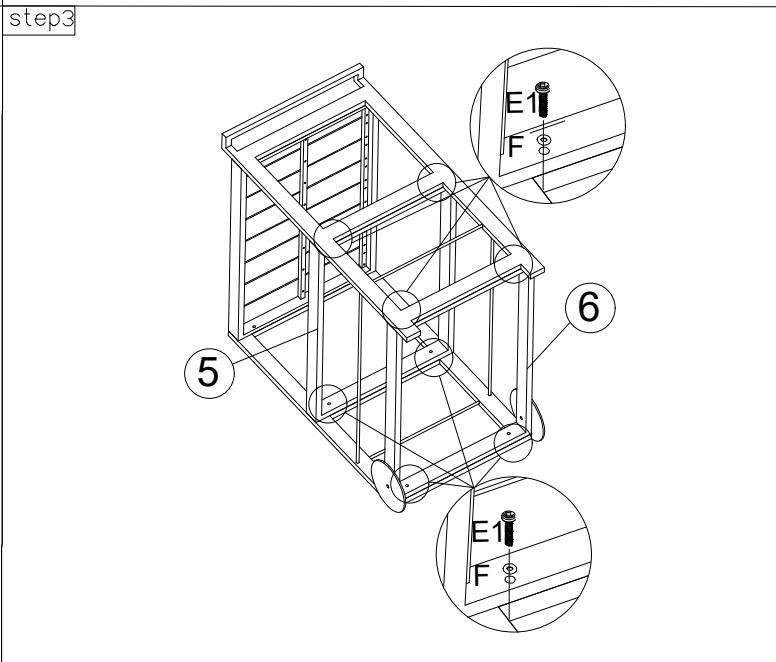
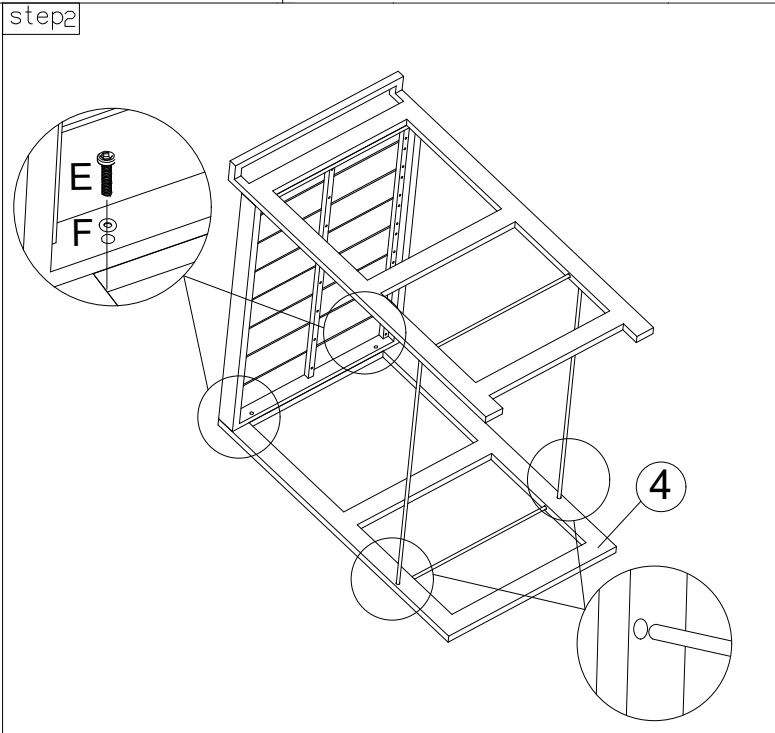
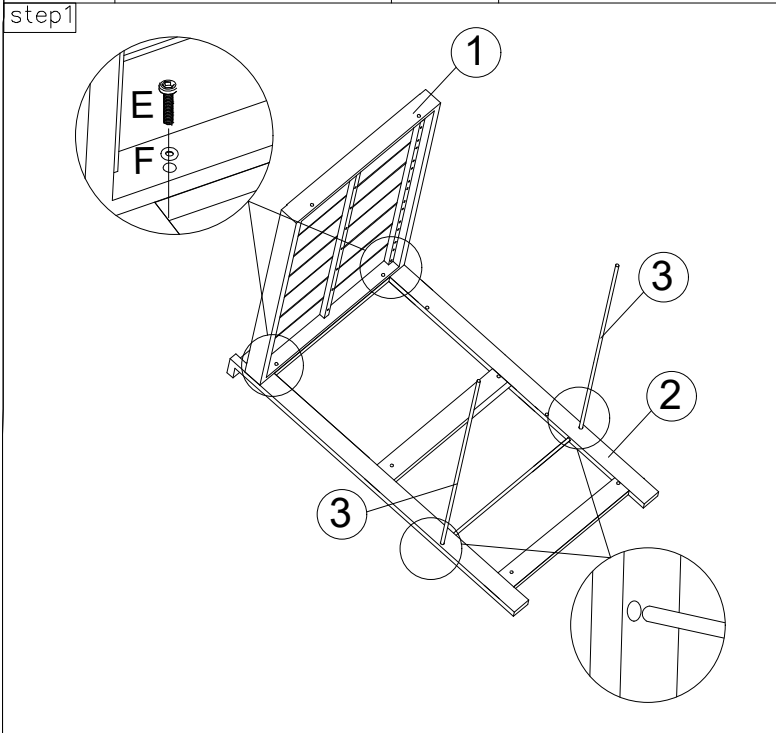


No.		Qty	No.		Qty
E	 M6*30	4	E1	 M6*35	8
F	 M6	16	G		4
H	 S4-M6	1			

PLEASE KINDLY NOTE THAT AFTER ASSEMBLED, THEN TIGHTEN ALL THE SCREWS!  
IF YOU FEEL IT'S HARD TO SCREW IN, PLEASE TAKE BACK A LITTLE , THEN TRY AGAIN!

# ASSEMBLY INSTRUCTION

No.		Qty	No.		Qty
1		1	E	 M6*30	4
2		1	E1	 M6*35	8
3		2	F	 M6	16
4		1	G		4
5		1	H	 S4-M6	1
6		1			
7		1			



PLEASE KINDLY NOTE THAT AFTER ASSEMBLED, THEN TIGHTEN ALL THE SCREWS!  
IF YOU FEEL IT'S HARD TO SCREW IN, PLEASE TAKE BACK A LITTLE , THEN TRY AGAIN!