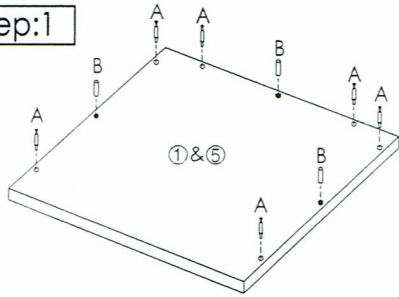
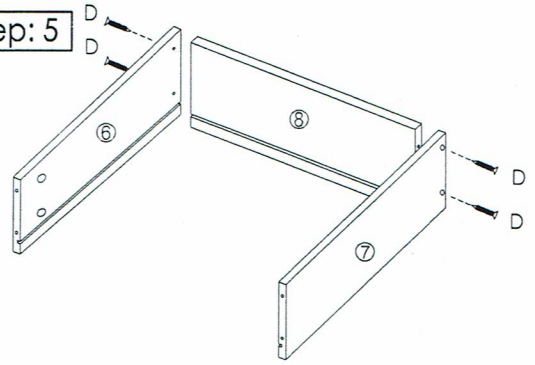


SY-549 W/N

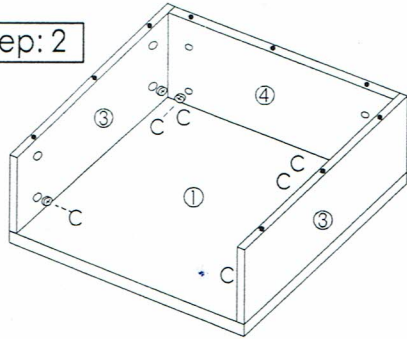
step:1



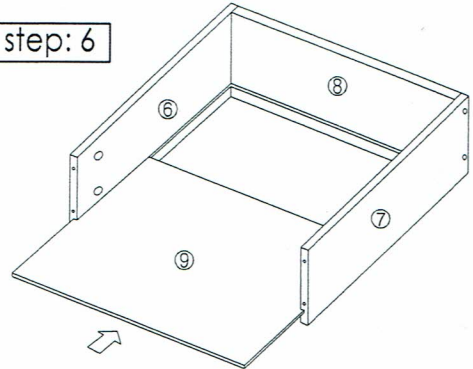
step:5



step:2

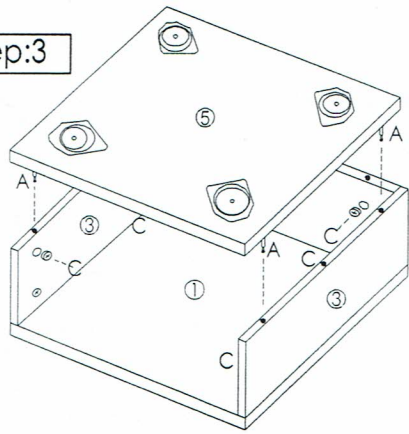


step:6

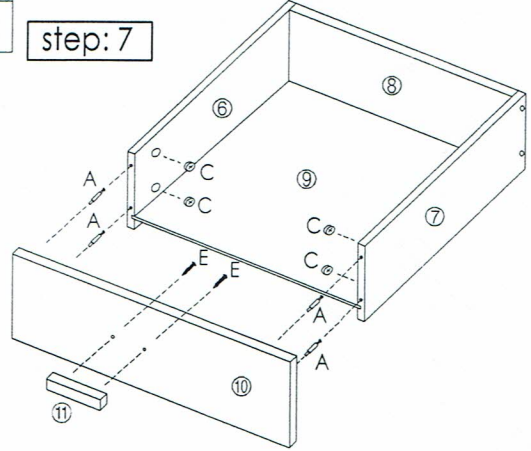


A		16
B	$\phi 8 \times 30$	6
C		16
D	$\phi 4 \times 30$	4
E	$\phi 4 \times 30$	2

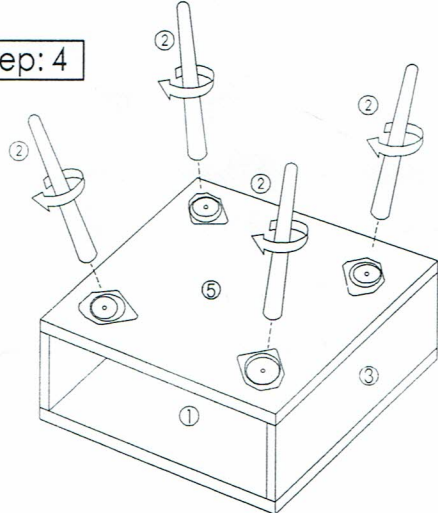
step:3



step:7



step:4



step:8

