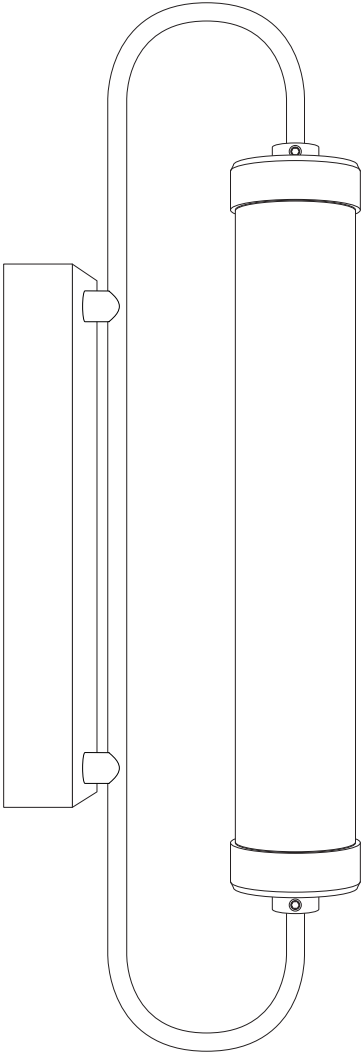
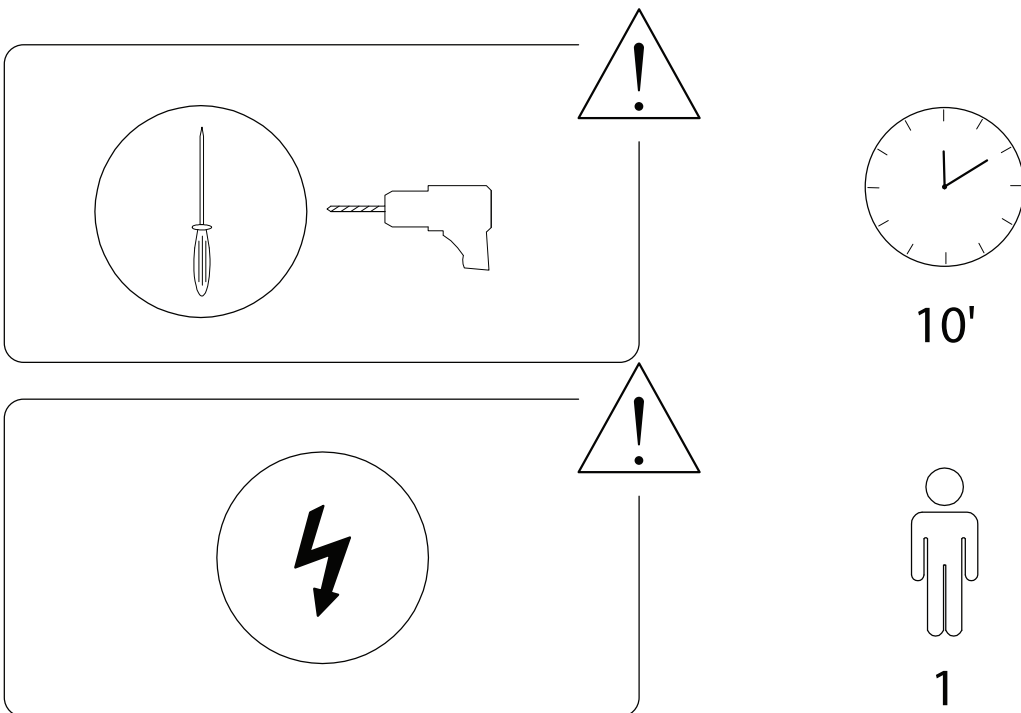
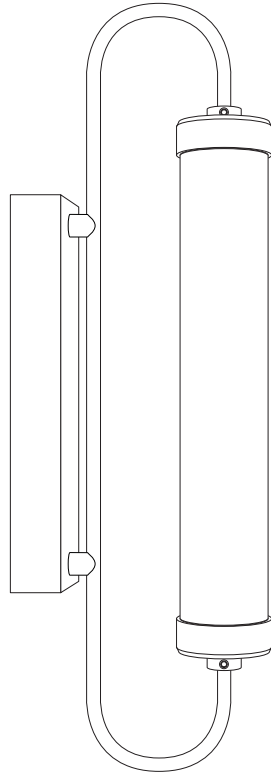
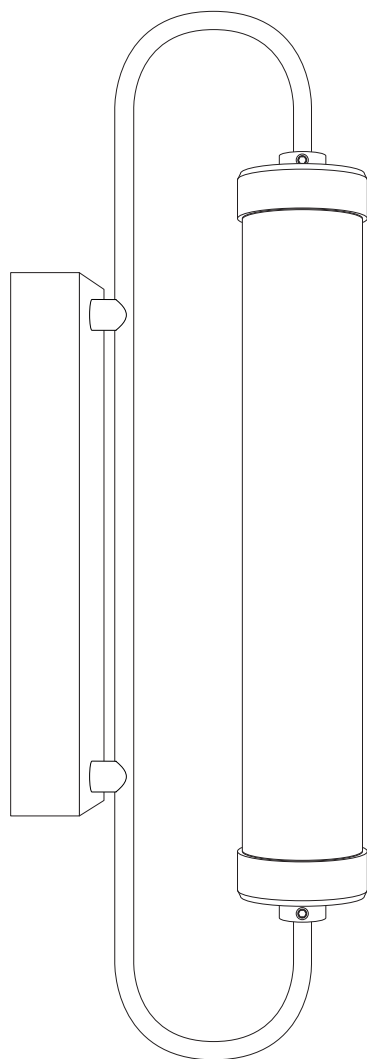


HENRY

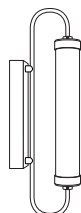




A

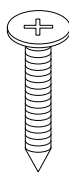


A



x 1

B



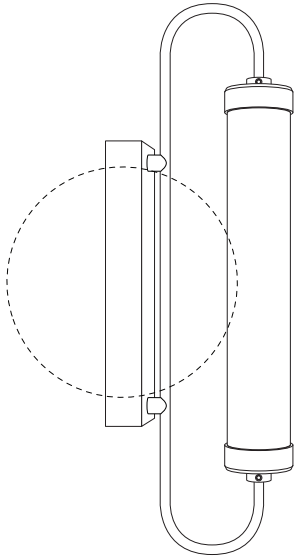
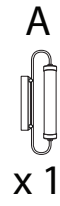
x 2

C

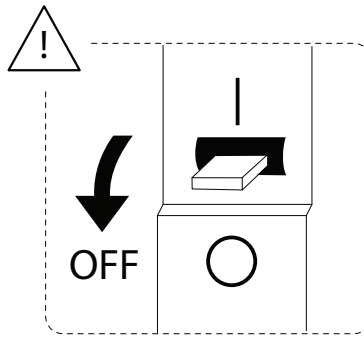
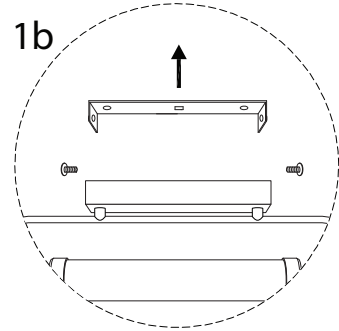
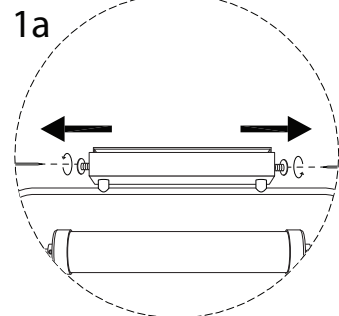


x 2

1



A



2

