












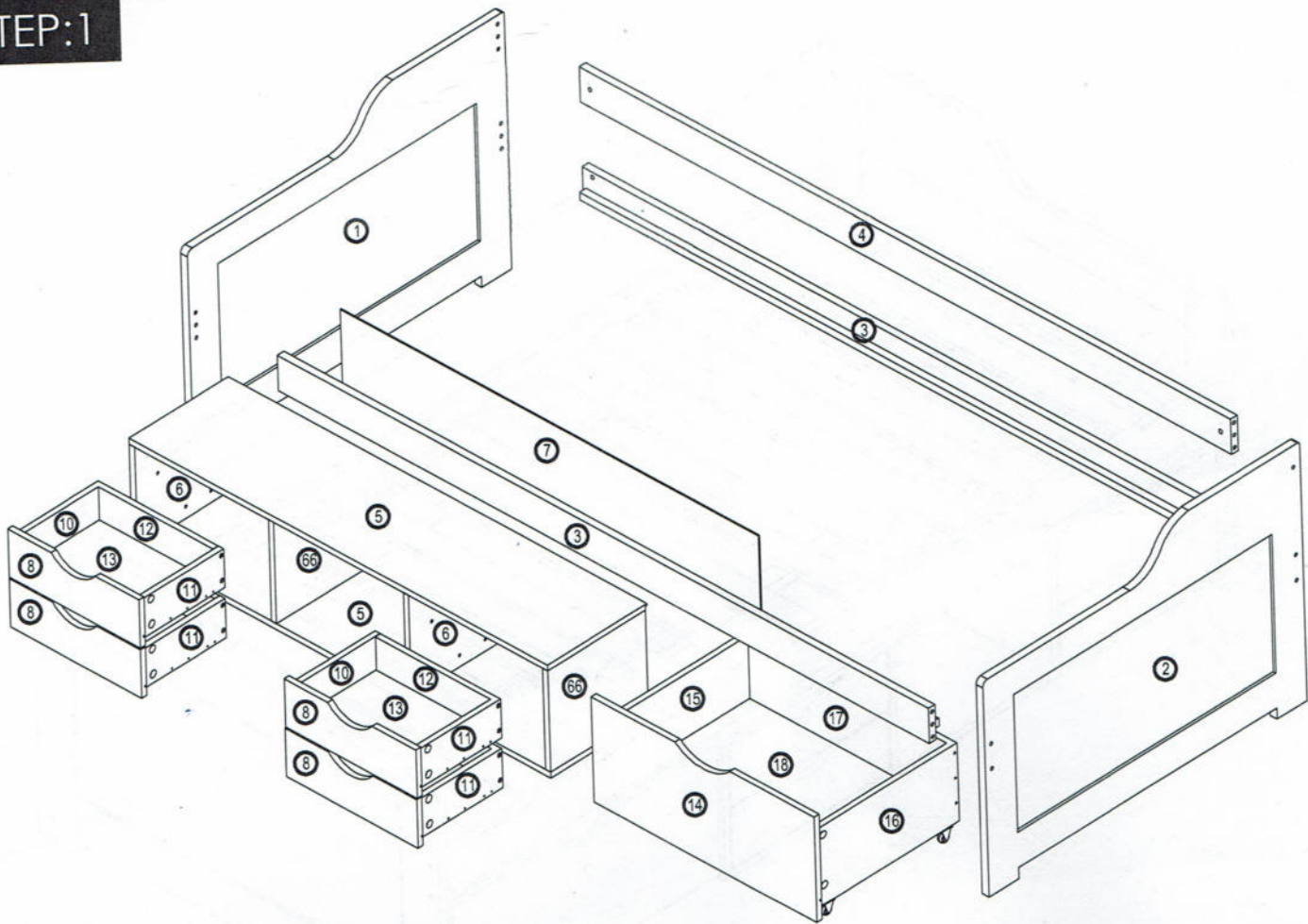
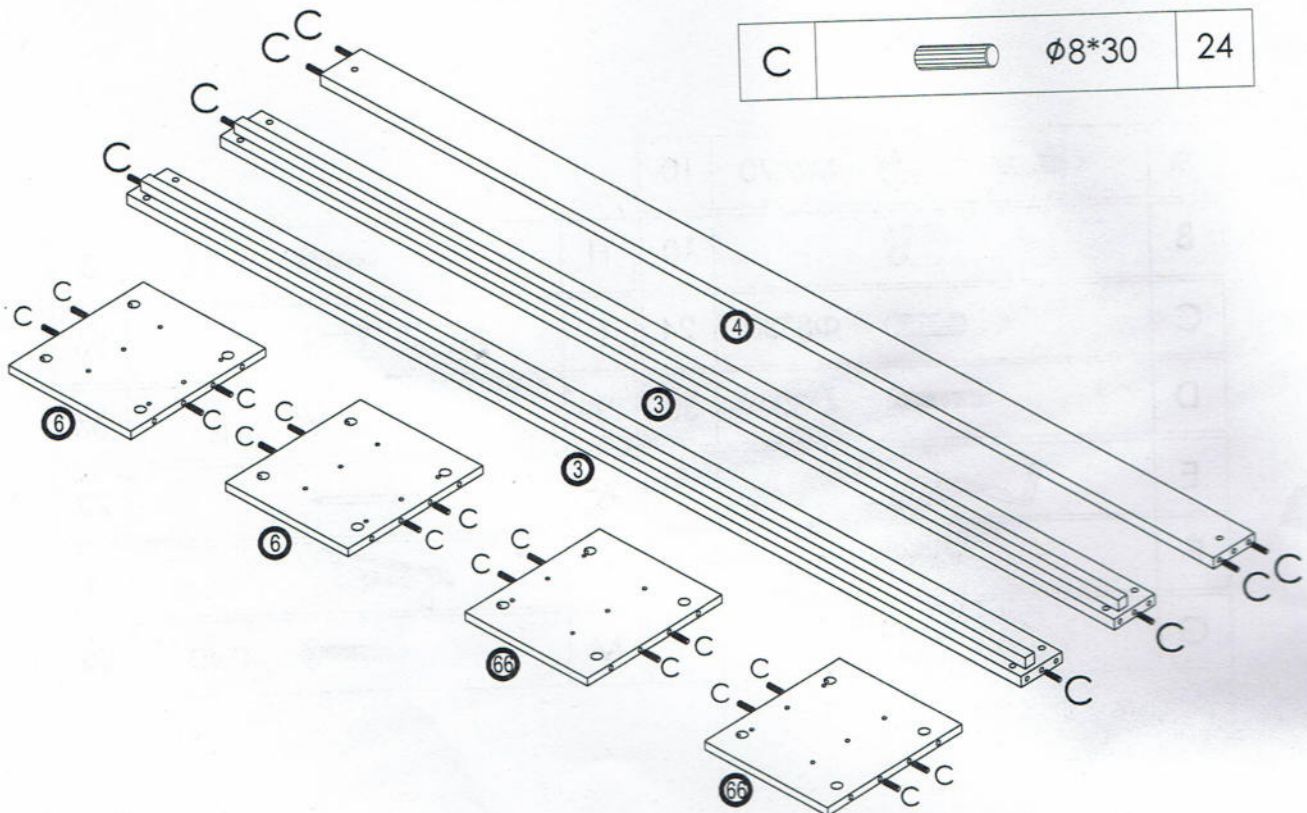


A		M6*70	10				
B			10	H		3*16	8
C		Φ8*30	24	I			36
D		4*30	30	J		1510	36
E		4 mm	1	K			22
F		3*12	56	L			4
G		35 mm	4	M		4*40	22

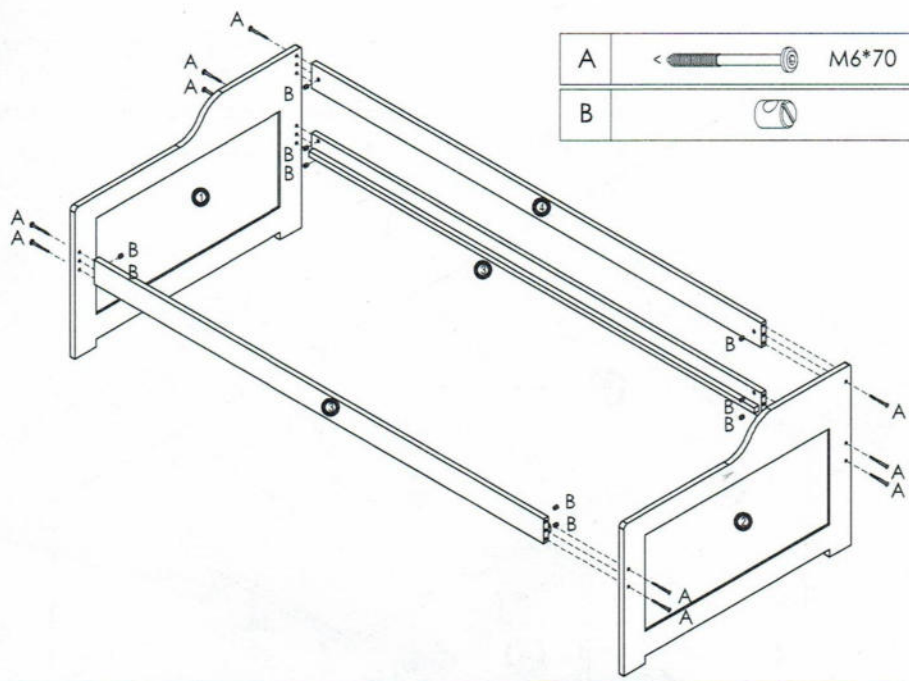
STEP:1





STEP:2

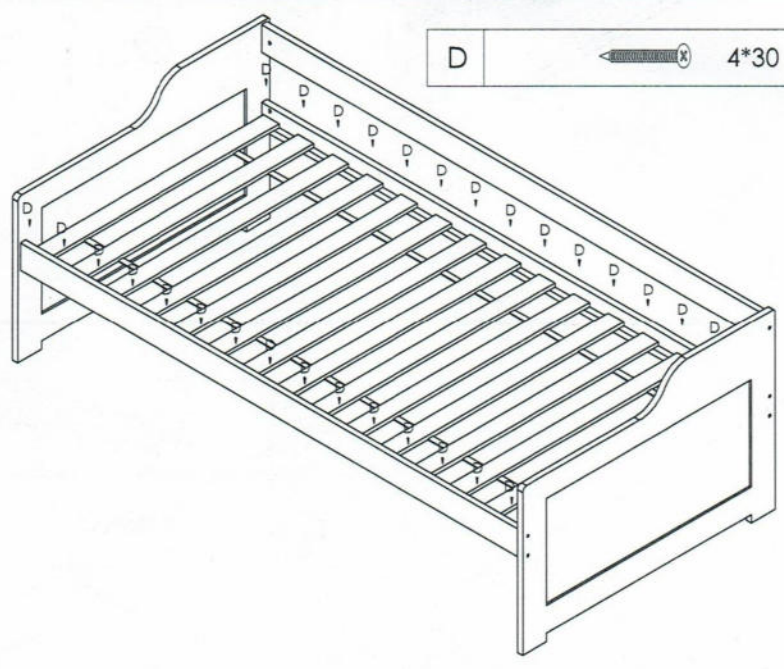



EP:3



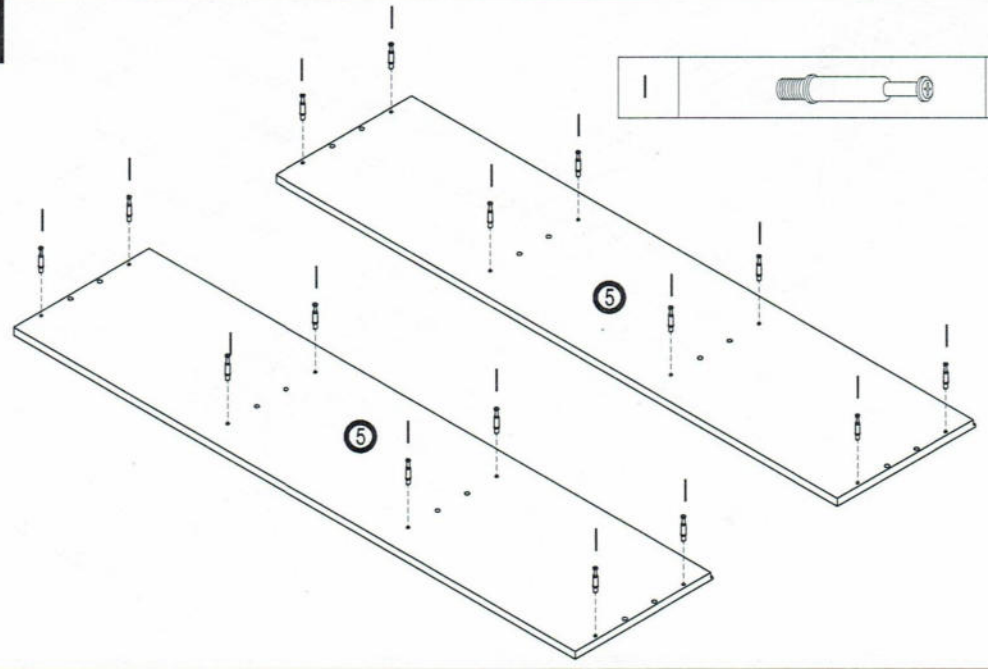
A		M6*70	10
B			10


EP:4



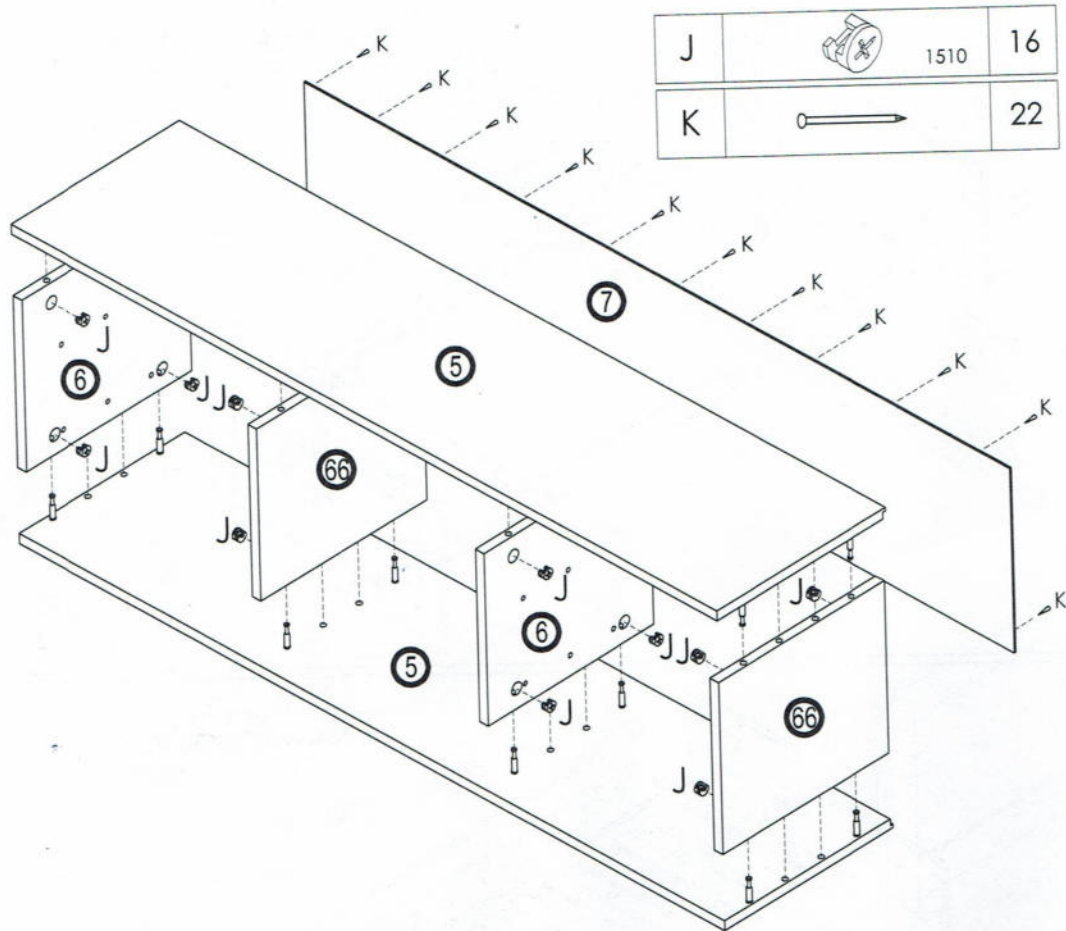
D		4*30	30
---	---	------	----



EP:5



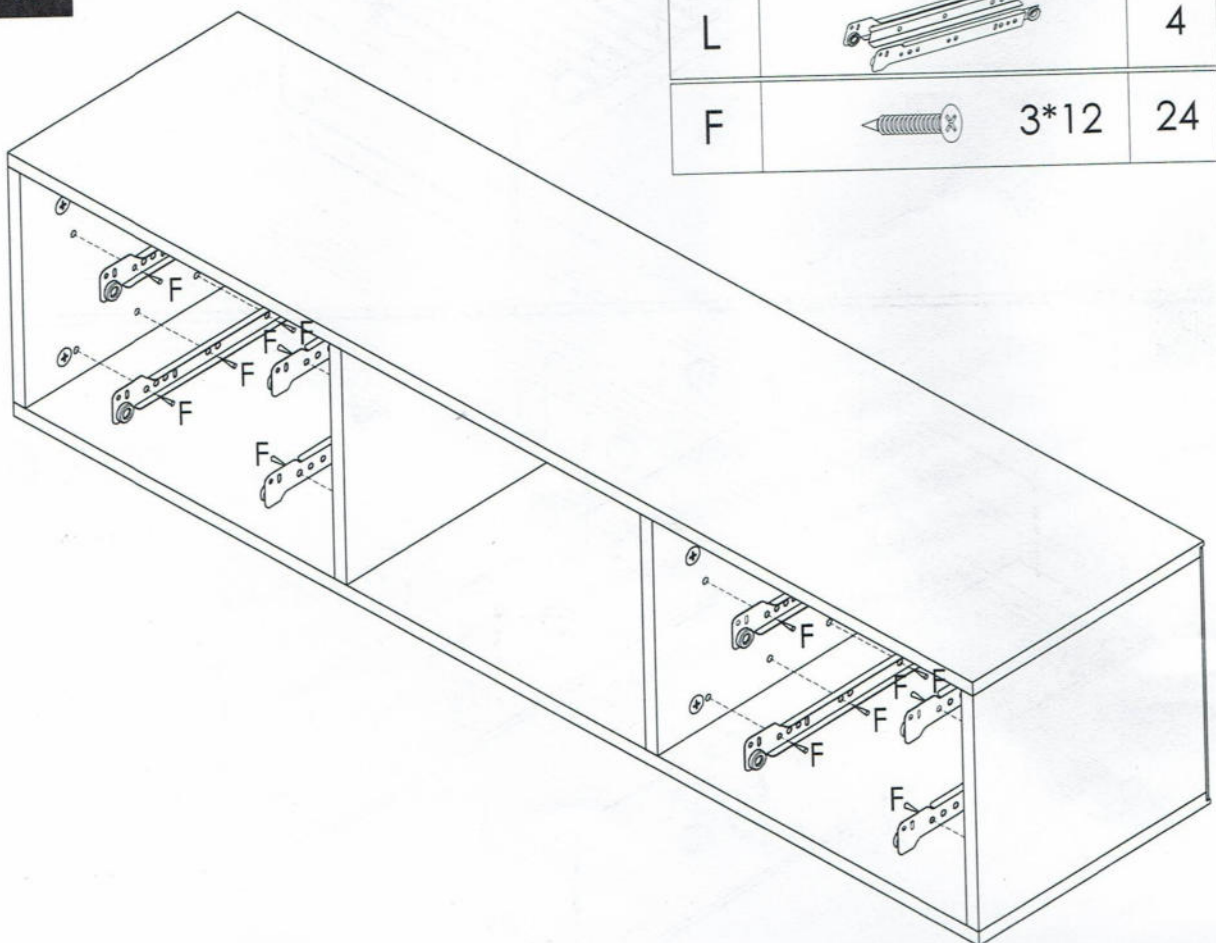
I			16
---	--	--	----



STEP:6



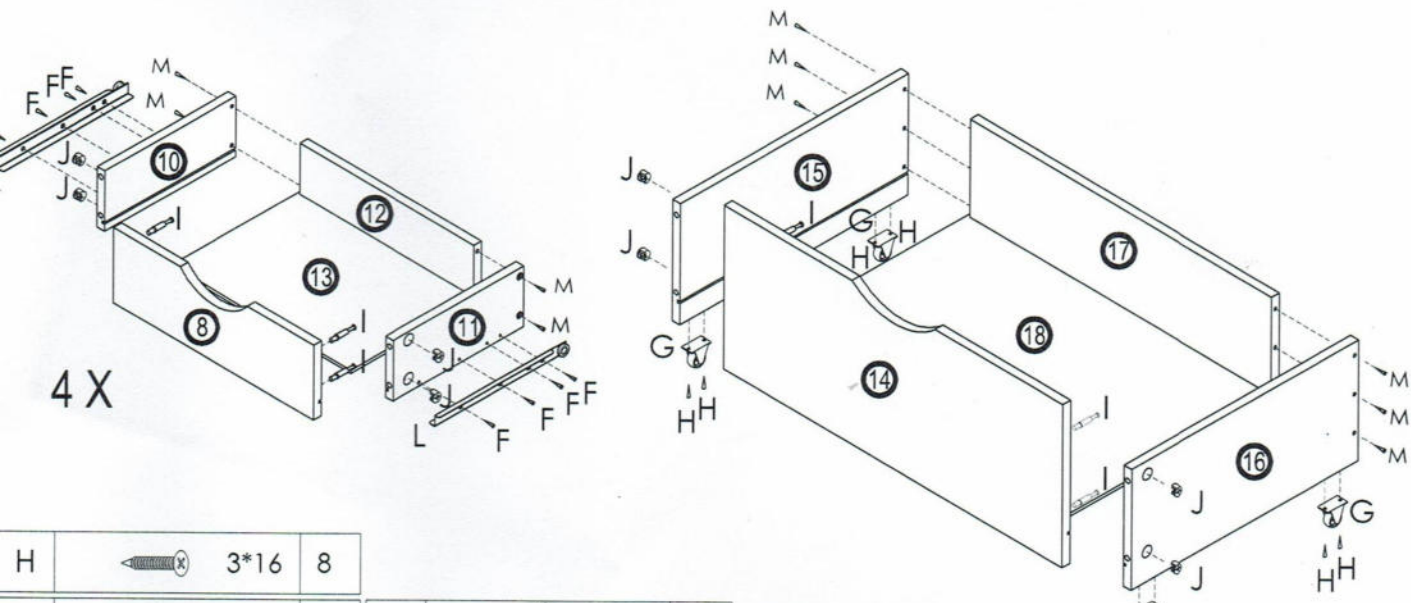
J		1510	16
K			22

STEP:7



L			4
F		3*12	24

STEP:8



H		3*16	8		
F		3*12	32	J	1510 20
M		4*40	22	I	20
L			4	G	35 mm 4

STEP:9

