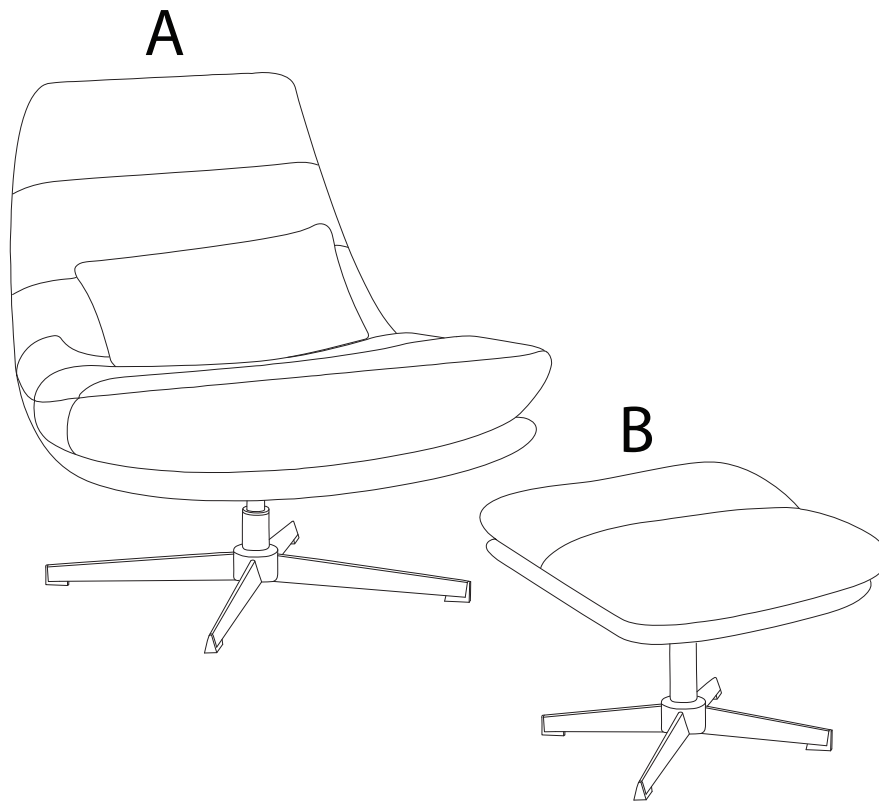


# TOVIK

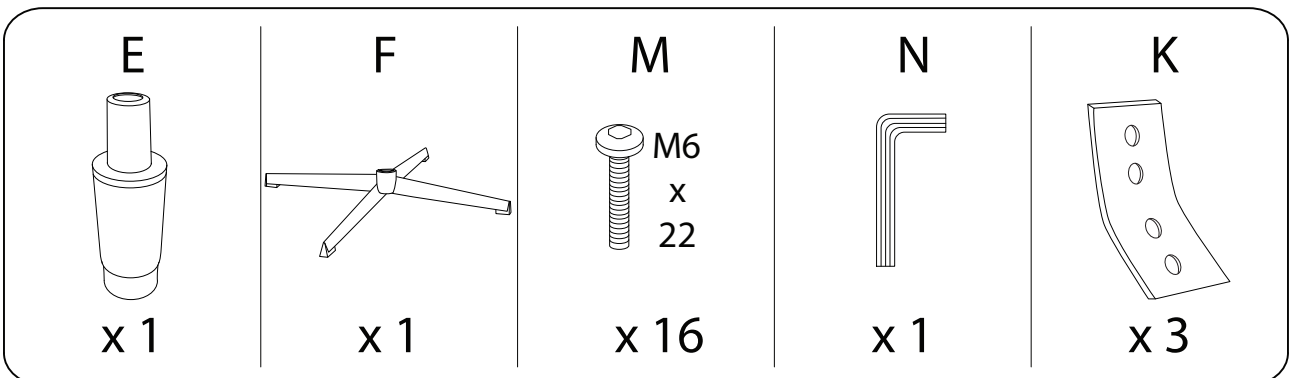
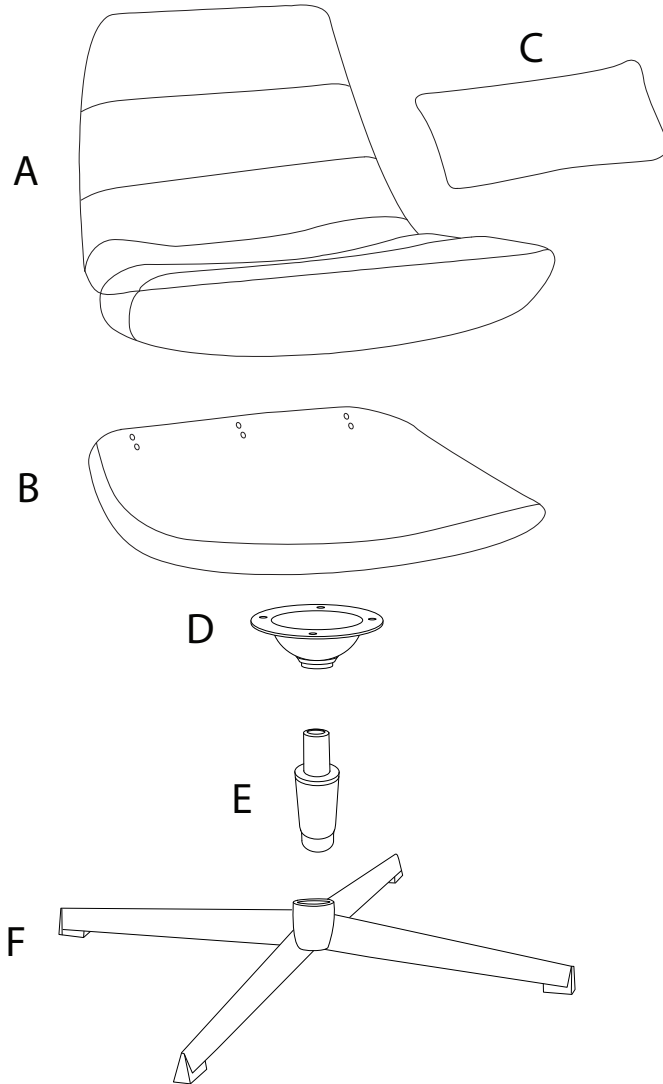
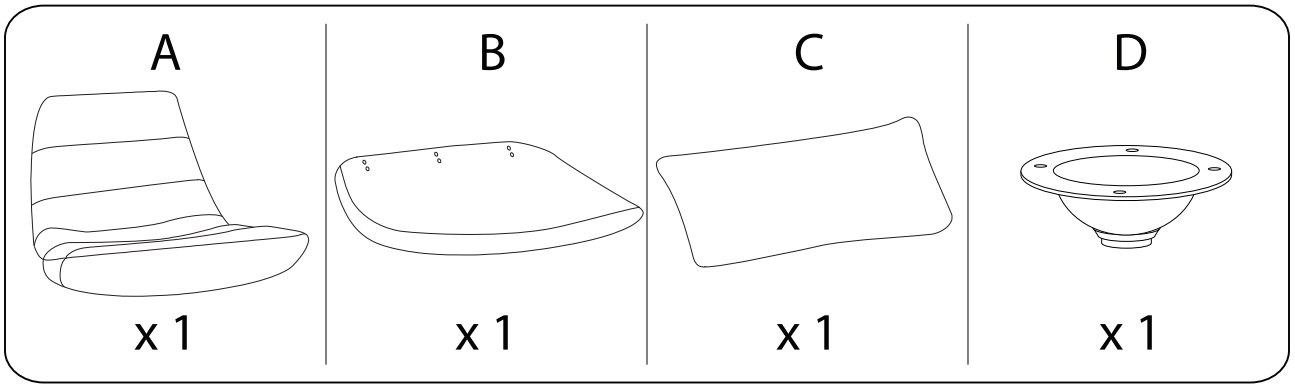




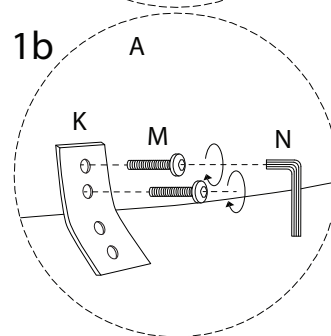
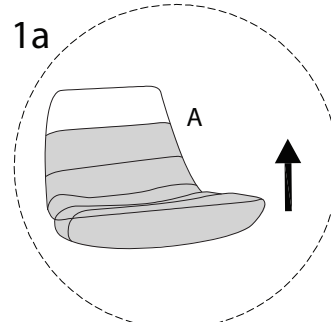
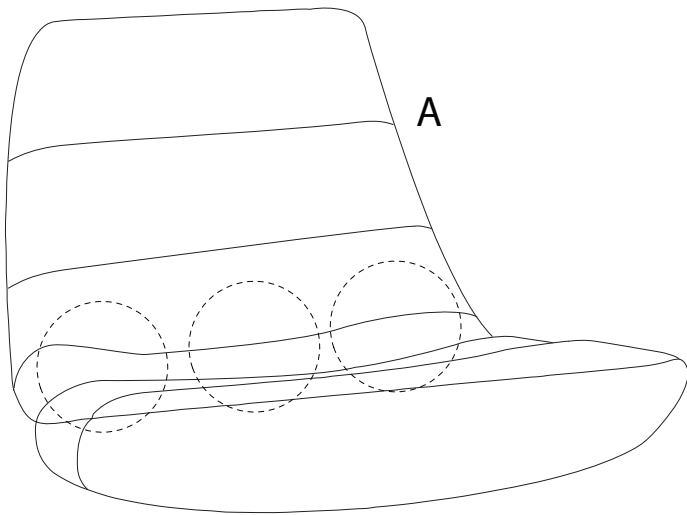
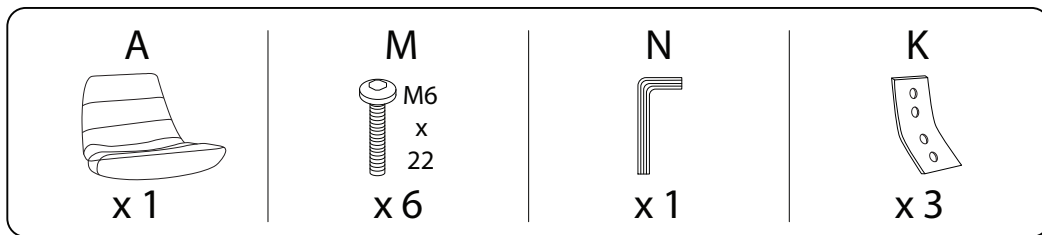
Assembly instructions and warnings:

- Warning 1:** Do not use a power drill to tighten the L-shaped footrest cap. Use the provided Allen key instead.
- Warning 2:** Do not place the chair on a soft surface like a rug or carpet. Place it on a hard, flat floor.
- Time:** 15' (15 minutes)
- Personnel:** 2 people

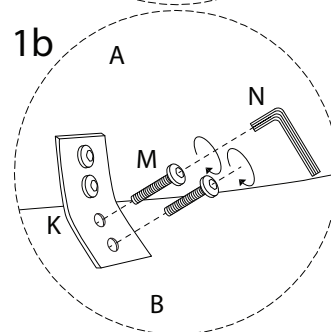
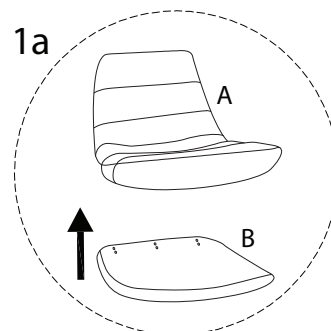
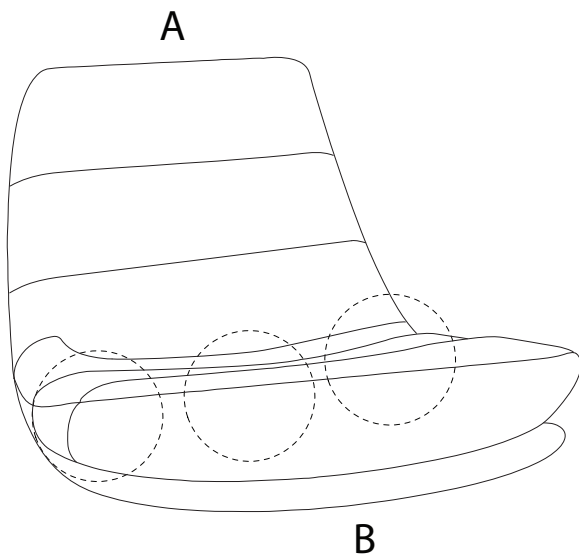
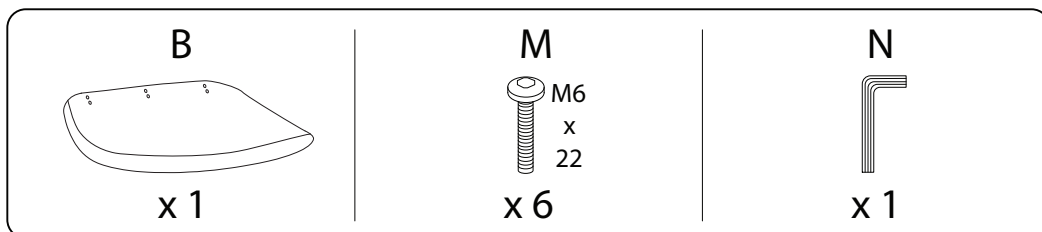
# A



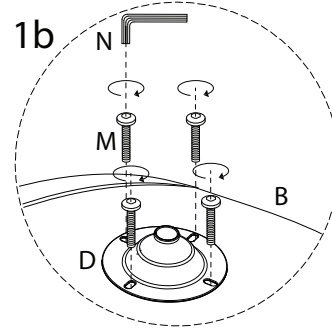
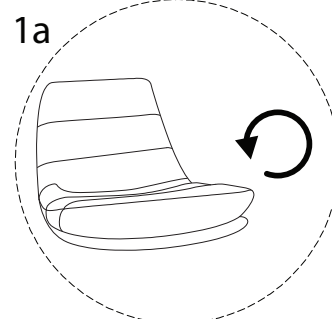
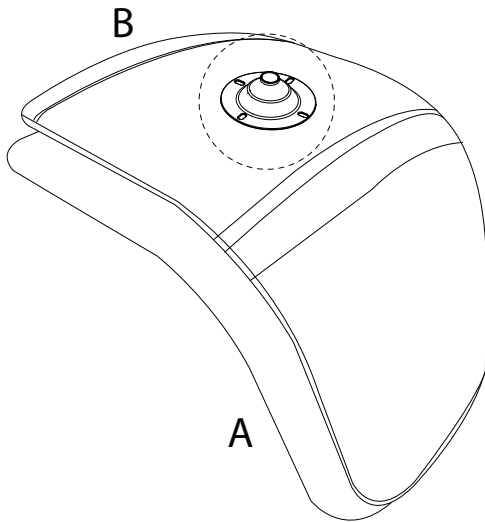
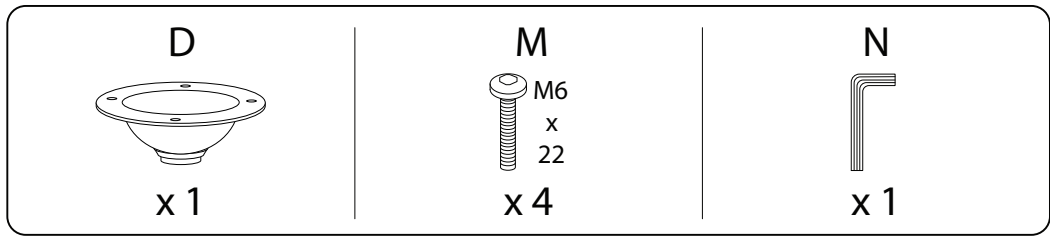
1



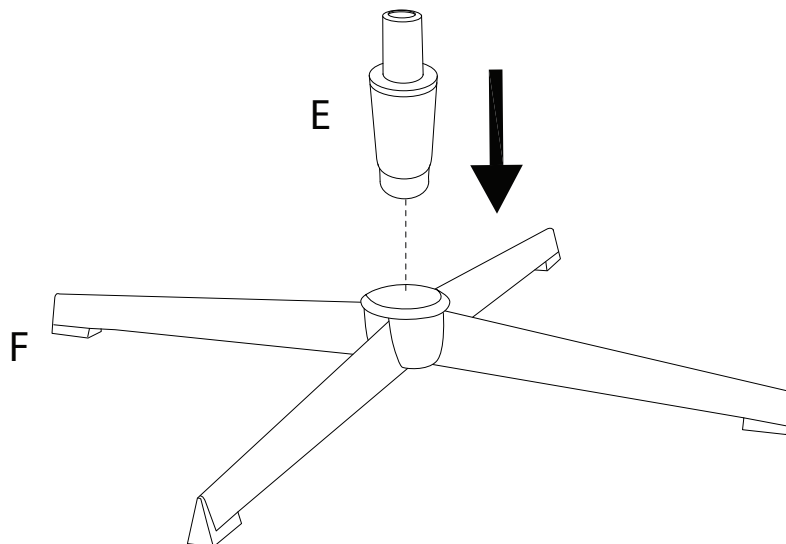
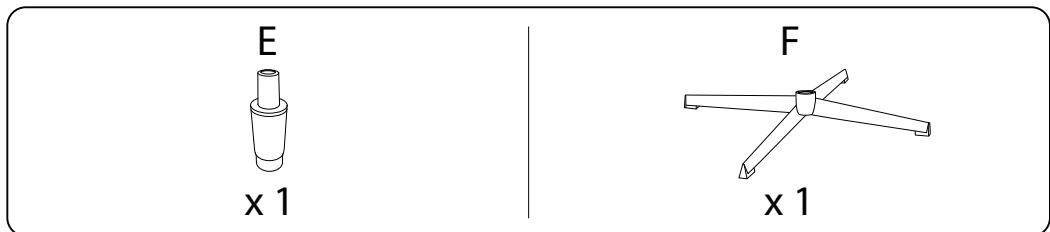
2



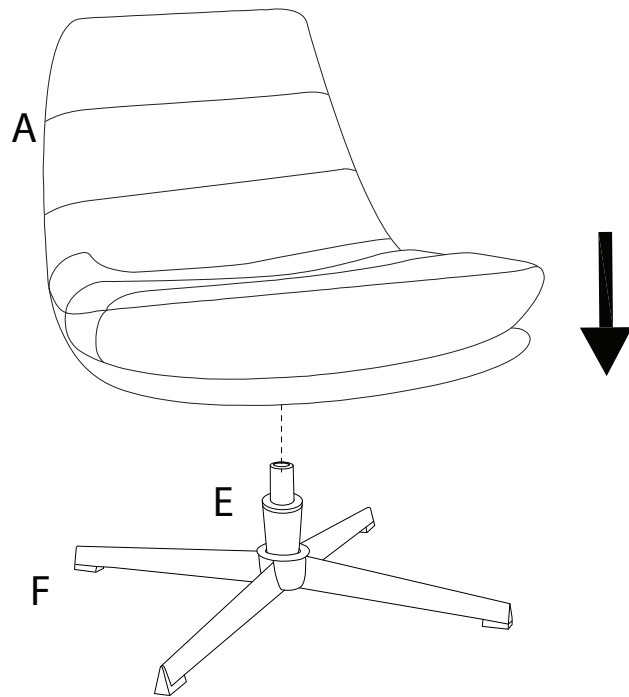
3



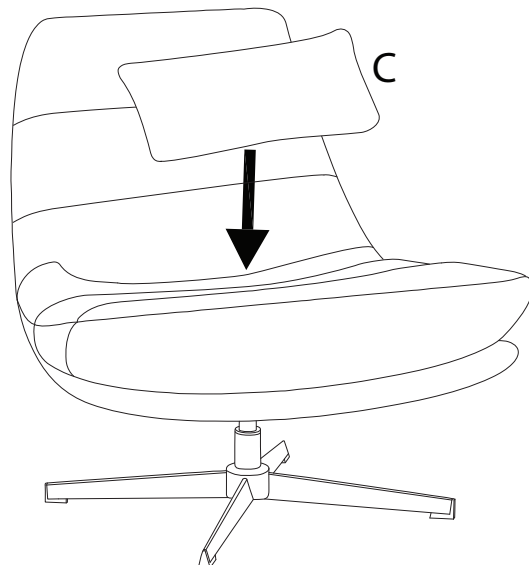
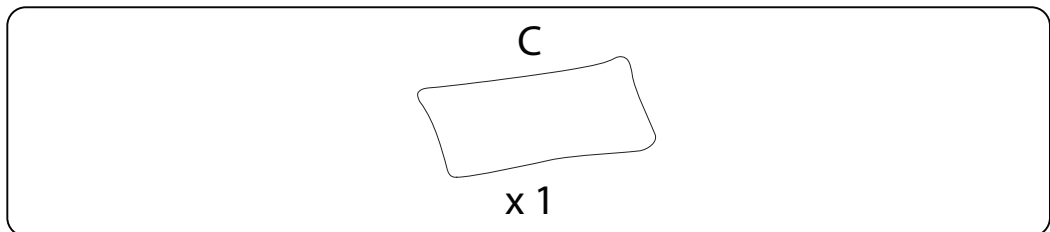
4



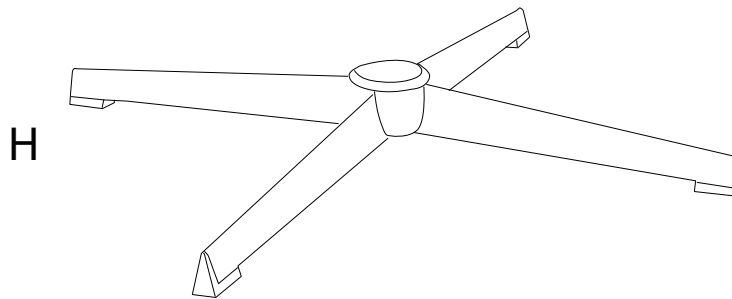
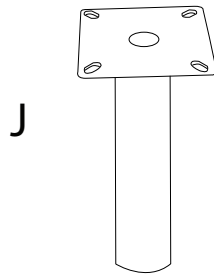
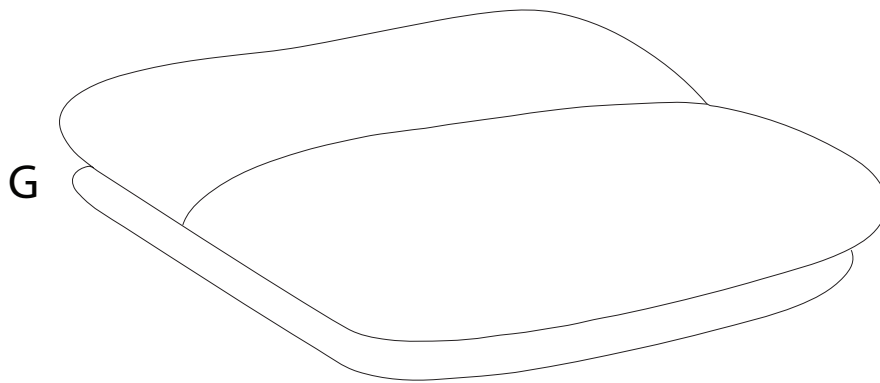
5

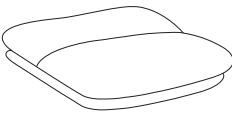
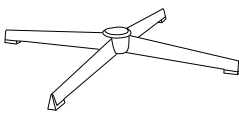
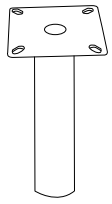
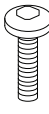



6

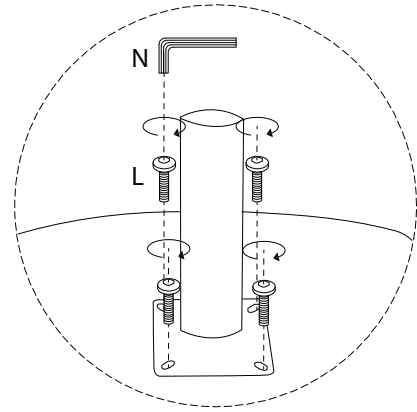
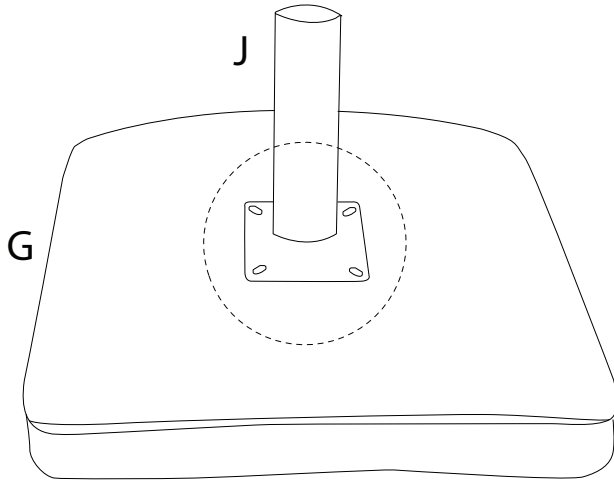
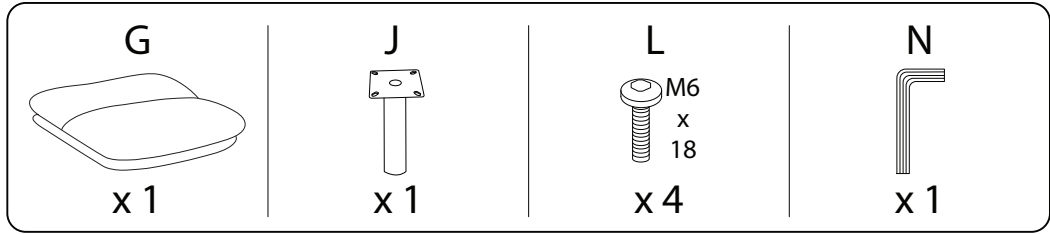


**B**



<b>G</b>	<b>H</b>	<b>J</b>	<b>L</b>	<b>N</b>
			 M6 x 18	
<b>x 1</b>	<b>x 1</b>	<b>x 1</b>	<b>x 4</b>	<b>x 1</b>

1



2

