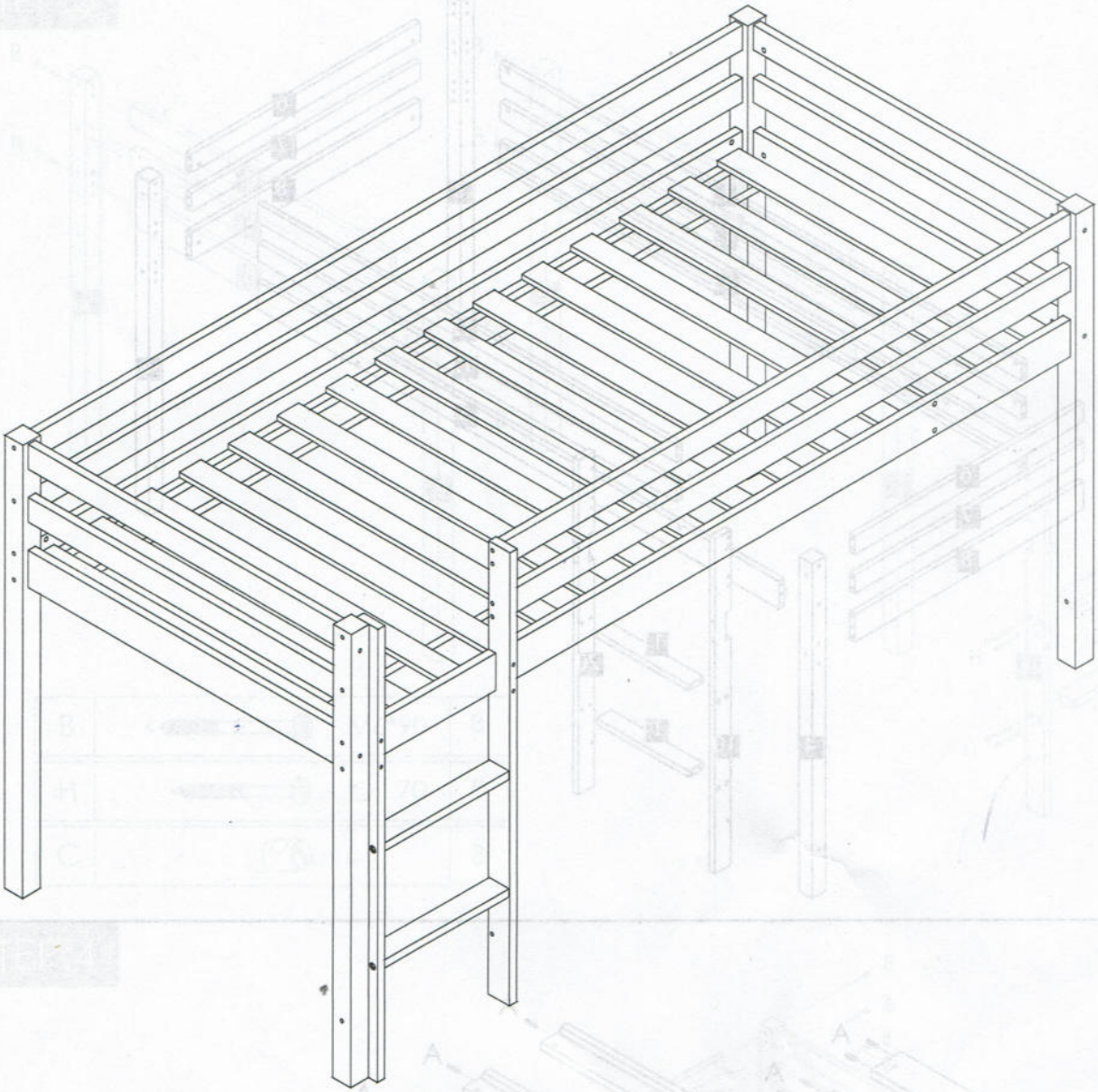
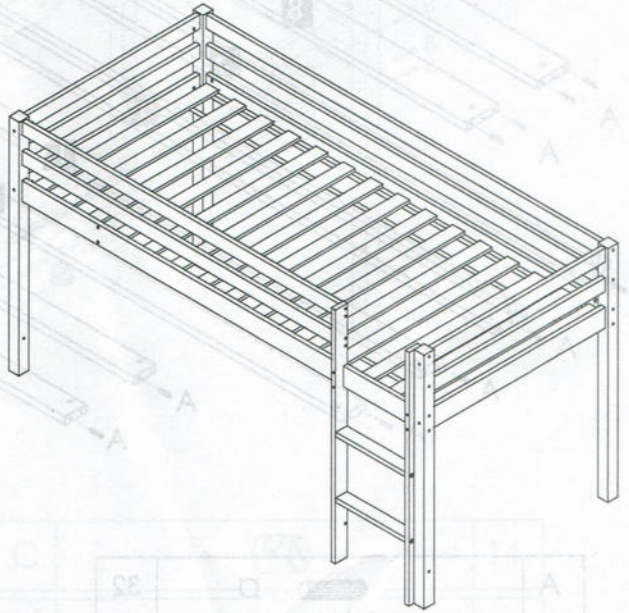













STEP 1

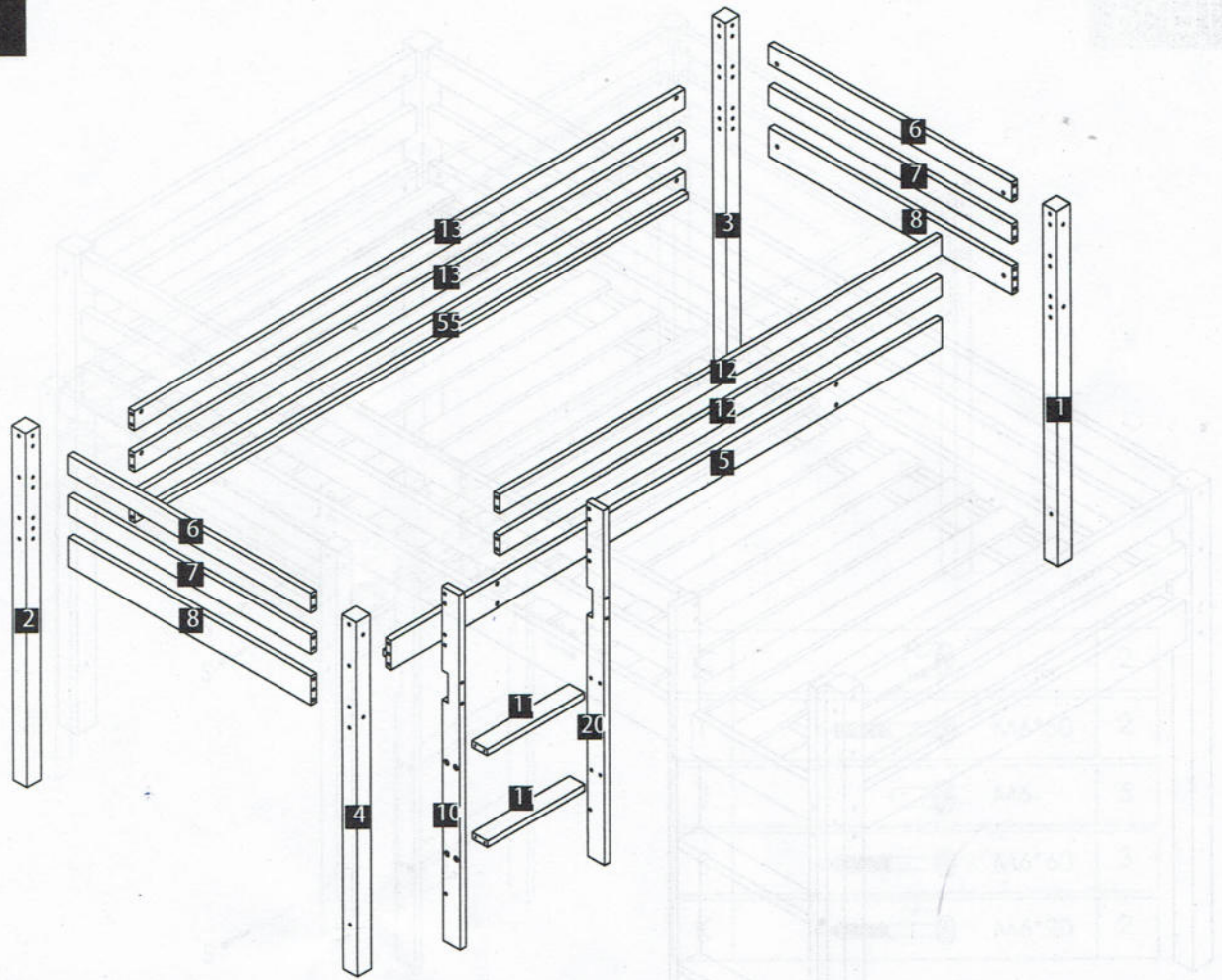


STEP 2

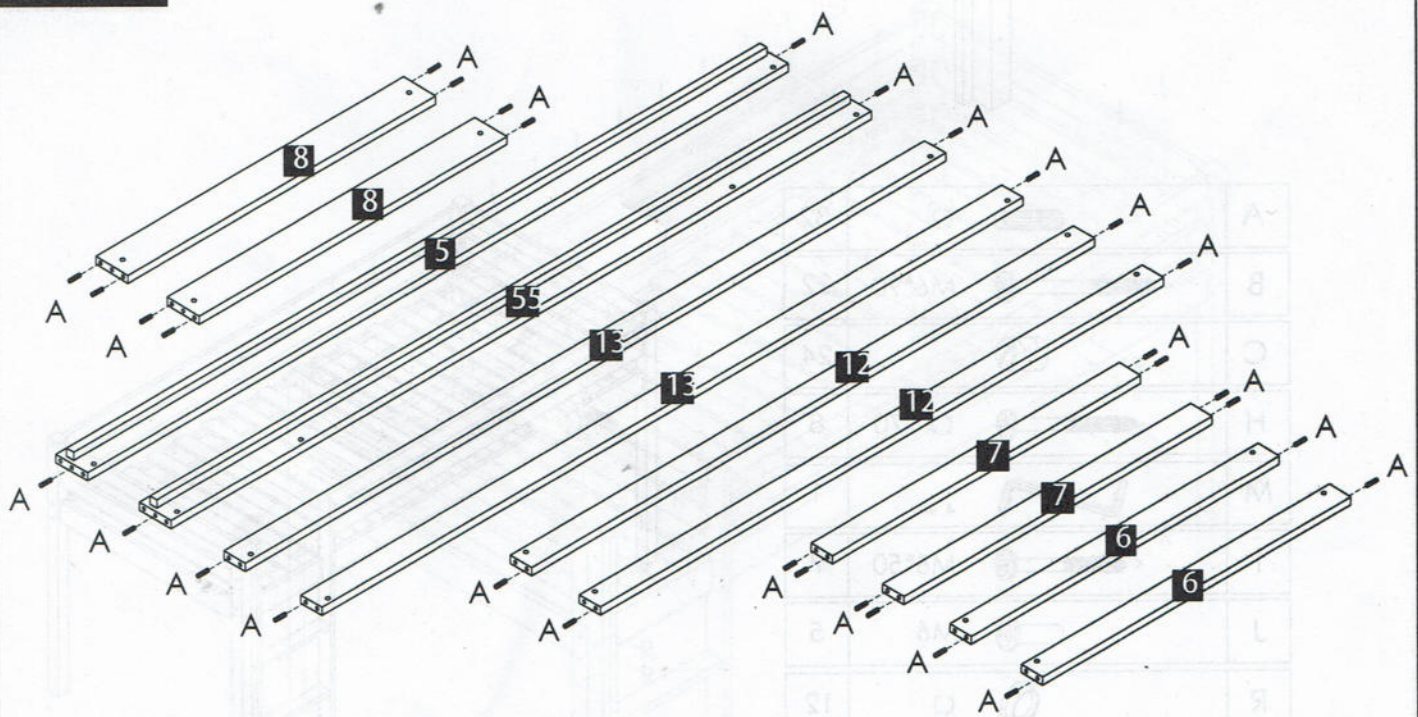


A		∅	32
B		M6*90	22
C			24
H		∅ 70	8
M		4 mm	1
I		M6*50	2
J		M6	5
R		∅	12
S		M6*60	3
K		M6*70	2
L		4*30	32

STEP:1



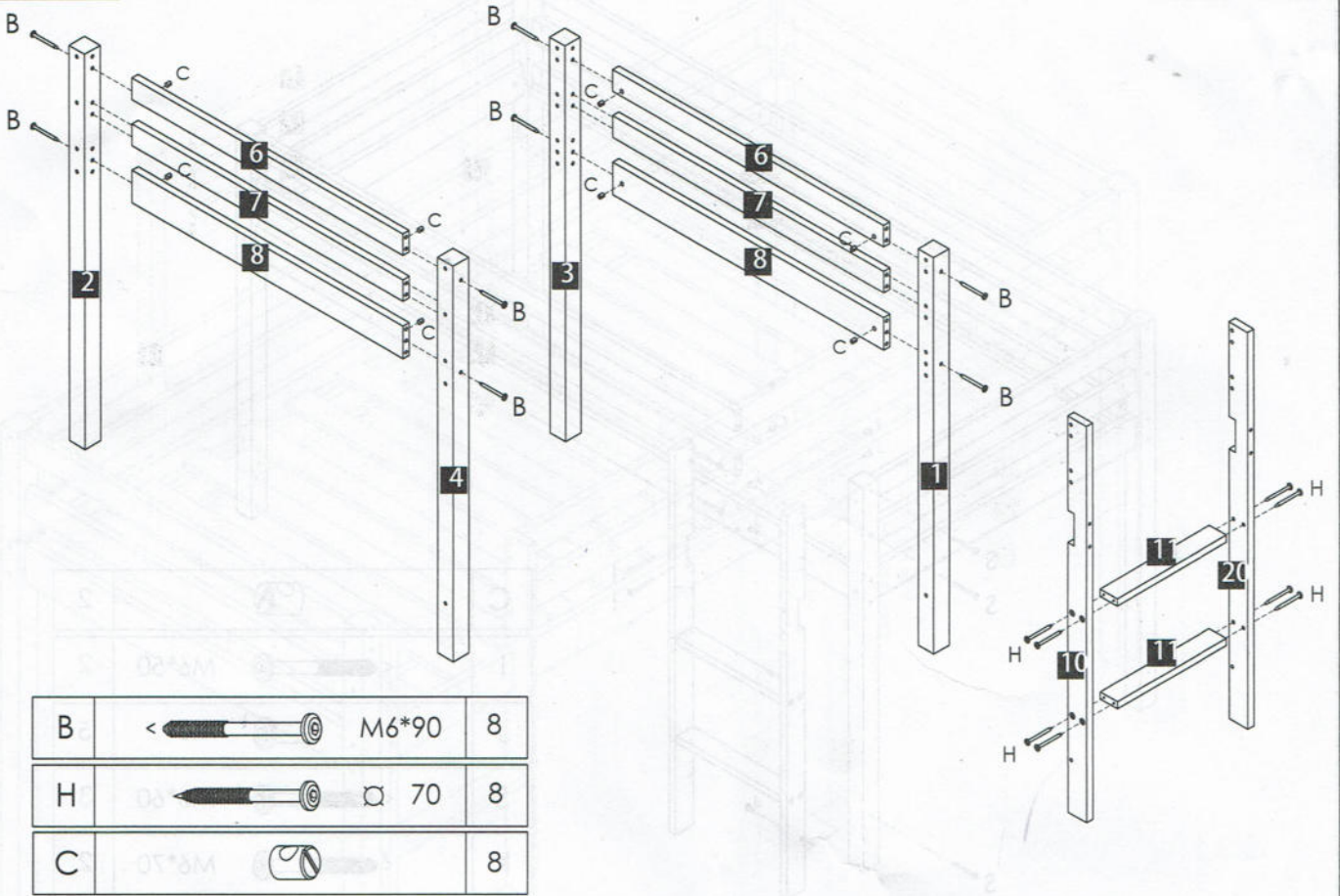
STEP:2



A			32
---	-------------------------------------------------------------------------------------	-------------------------------------------------------------------------------------	----

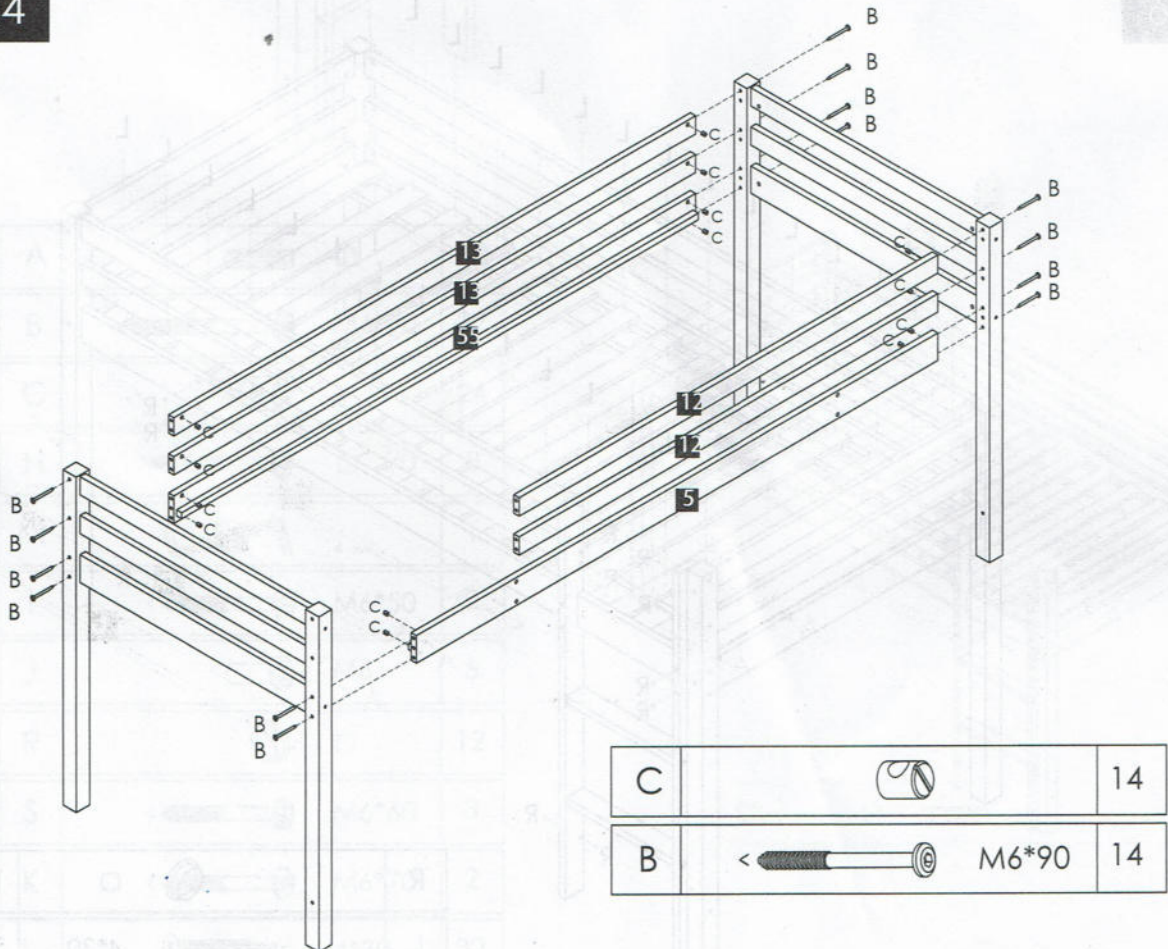
STEP:3

19312

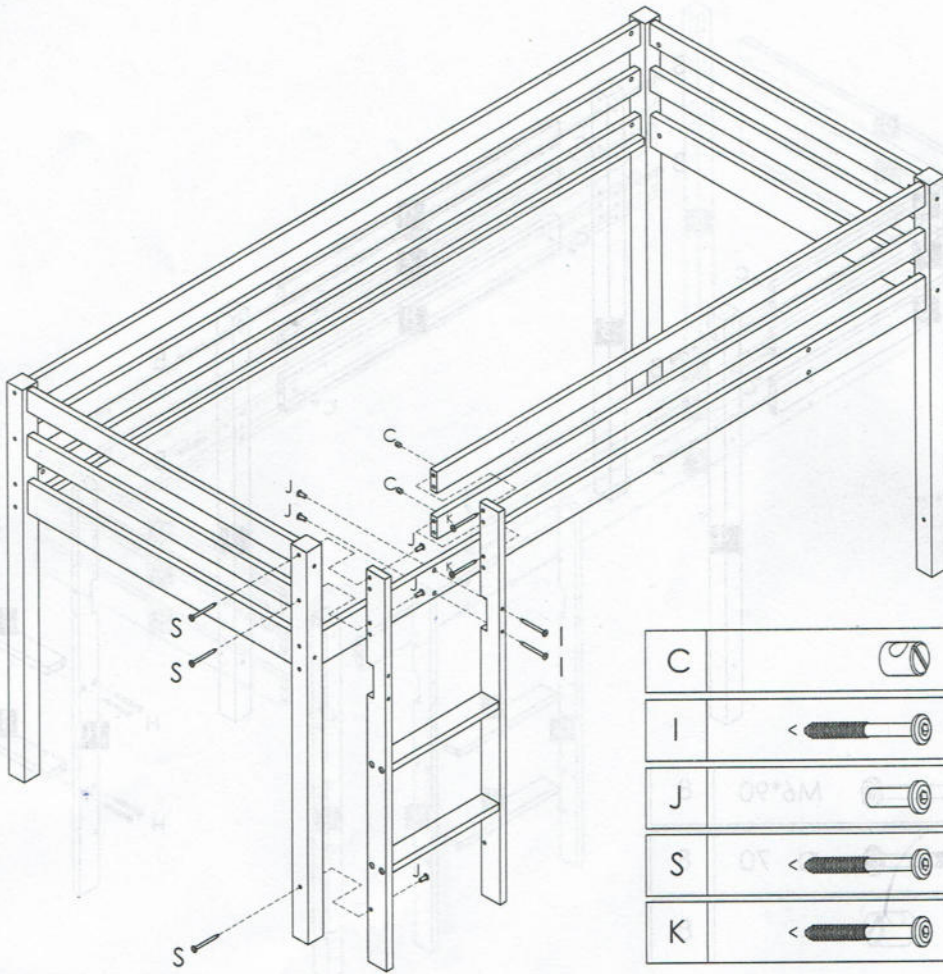







STEP:4

19312

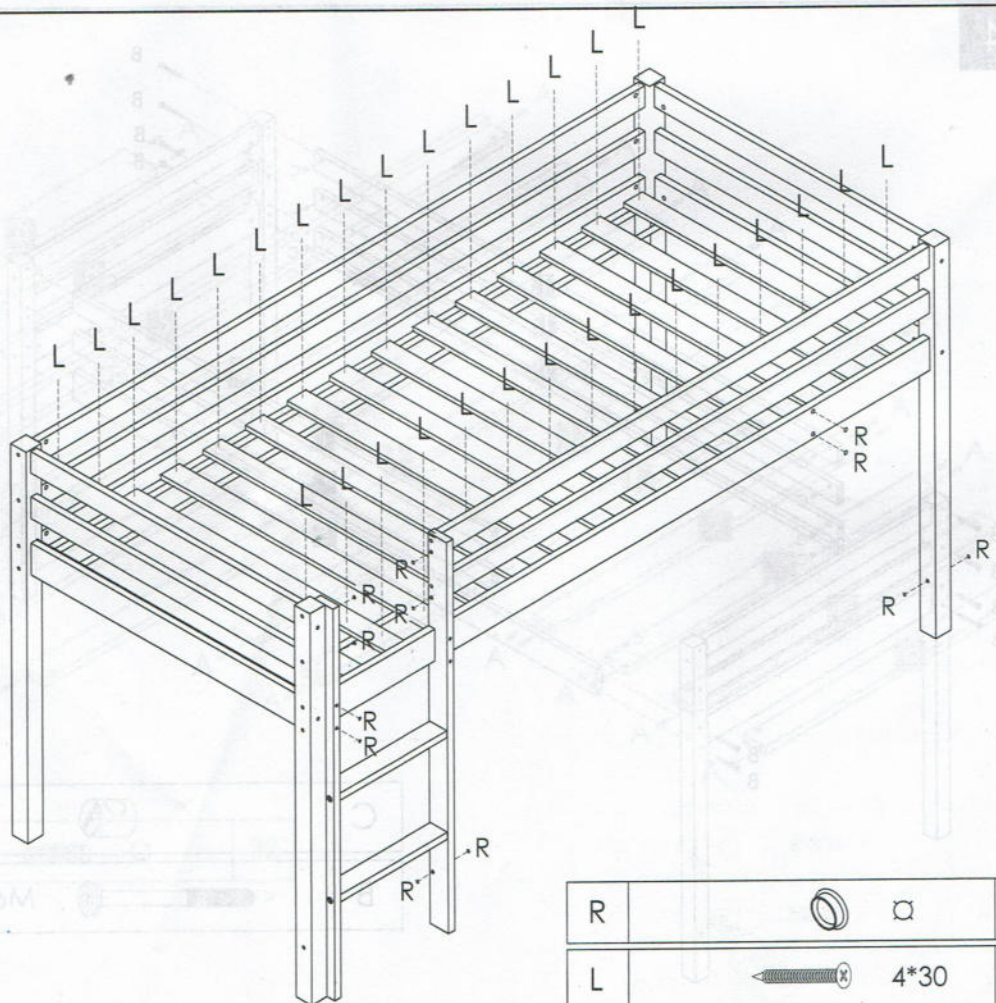





STEP:5

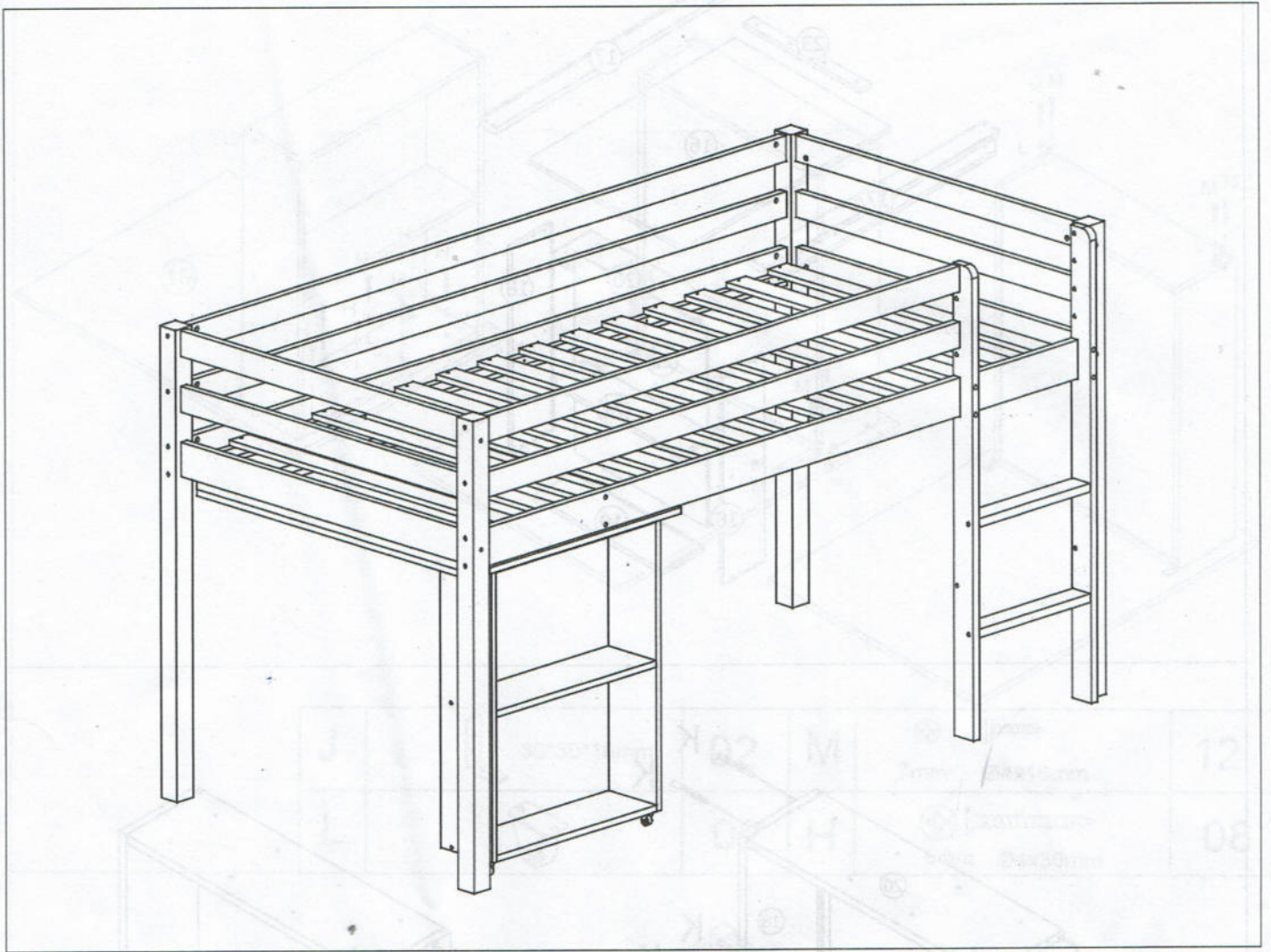


C		2
I	 M6*50	2
J	 M6	5
S	 M6*60	3
K	 M6*70	2

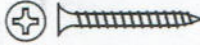





STEP:6

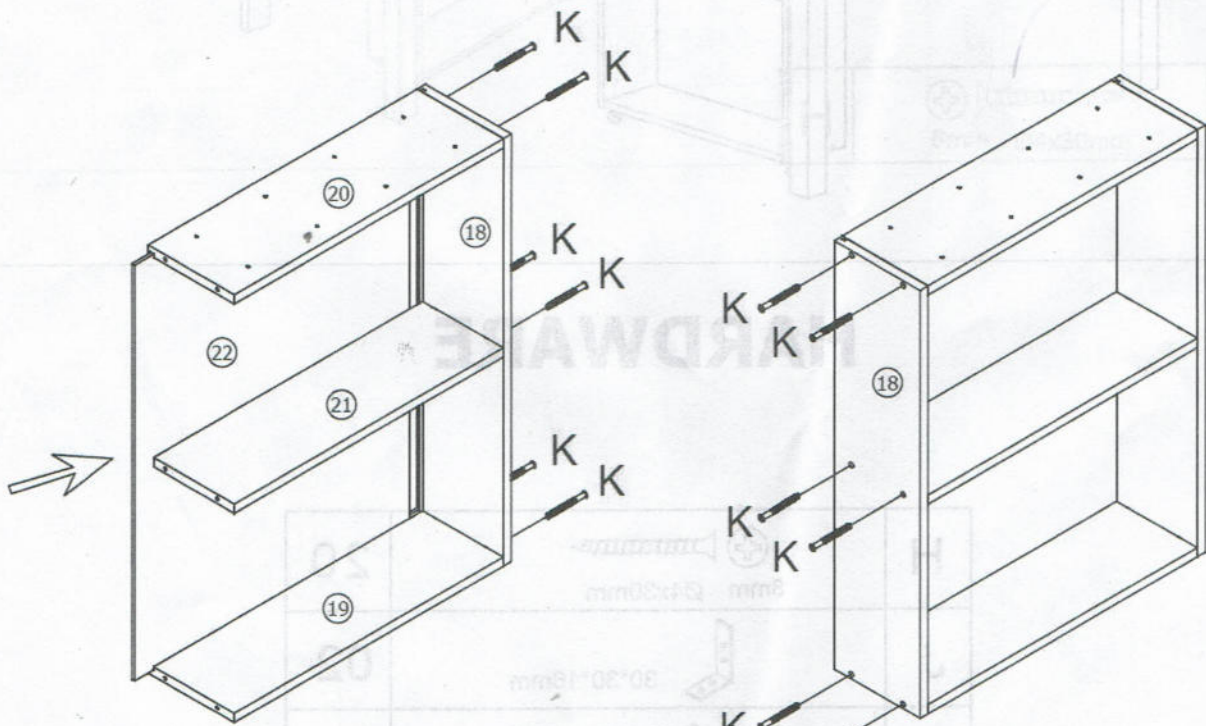
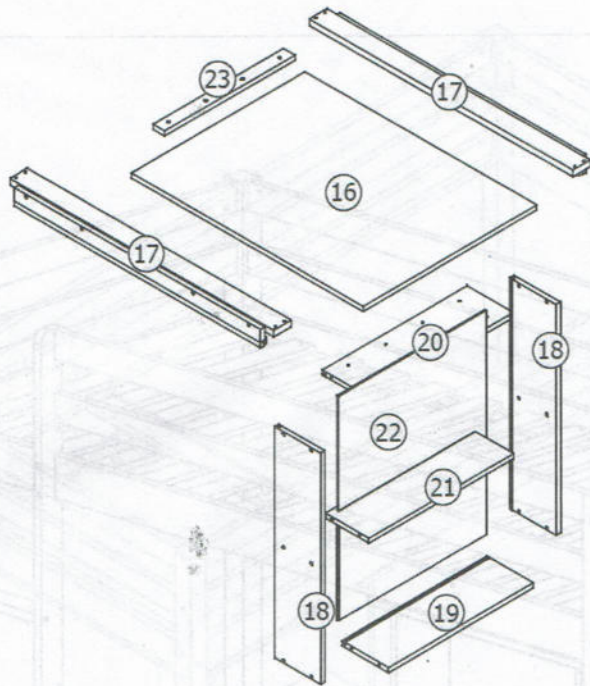




R	 	12
L	 4*30	32

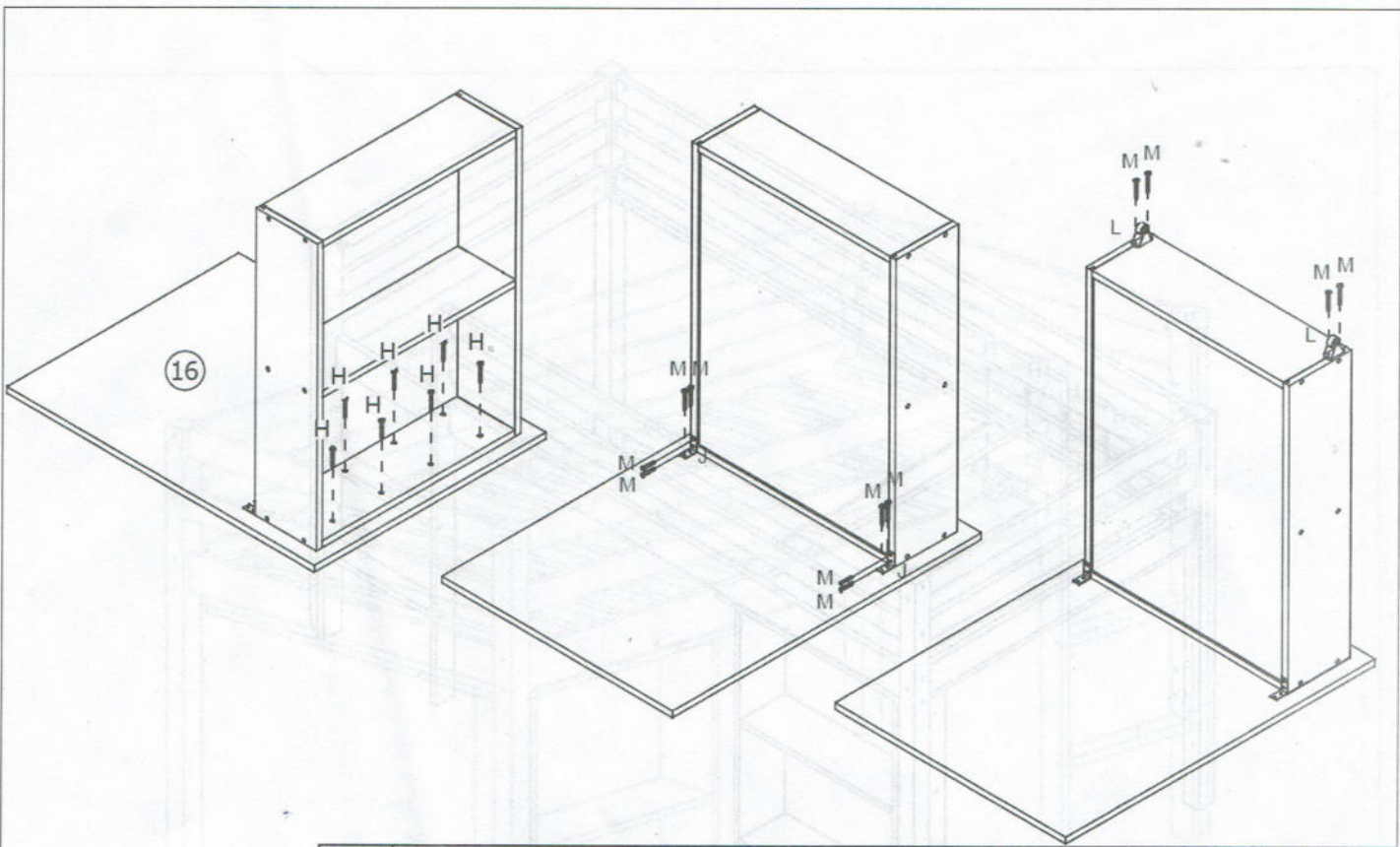





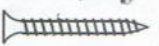
HARDWARE

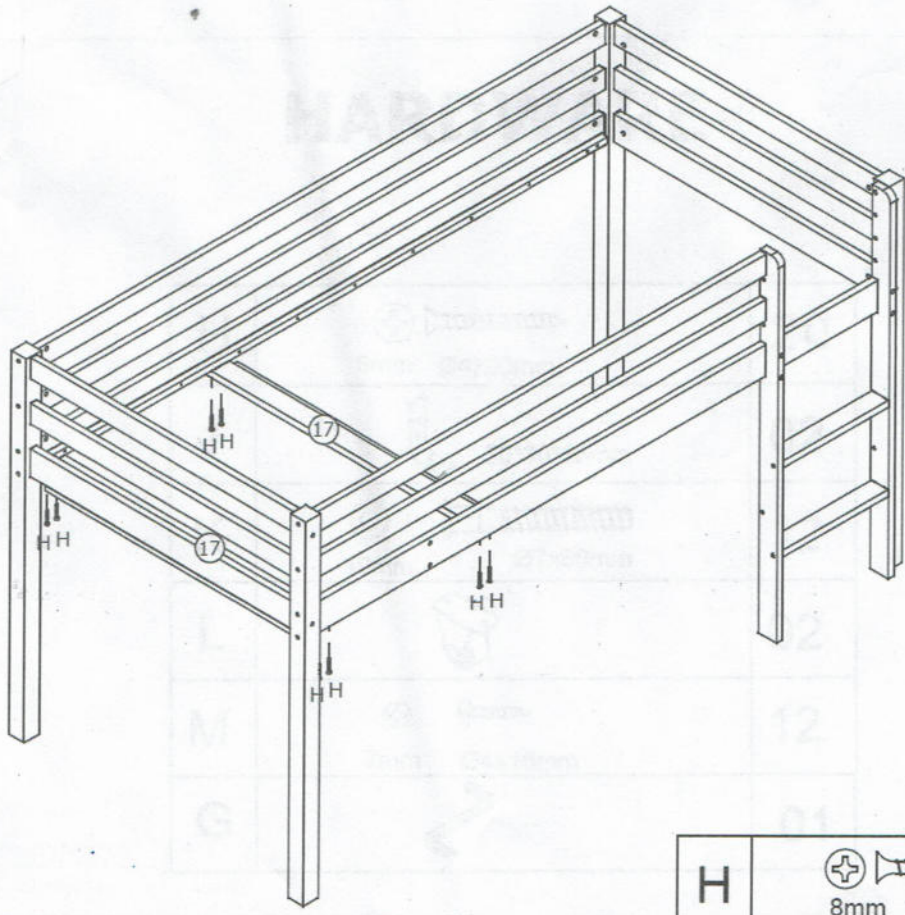
H	 8mm Ø4x30mm	20
J	 30*30*16mm	02
K	 10mm Ø7x60mm	12
L		02
M	 7mm Ø4x16mm	12
G		01

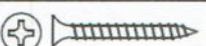


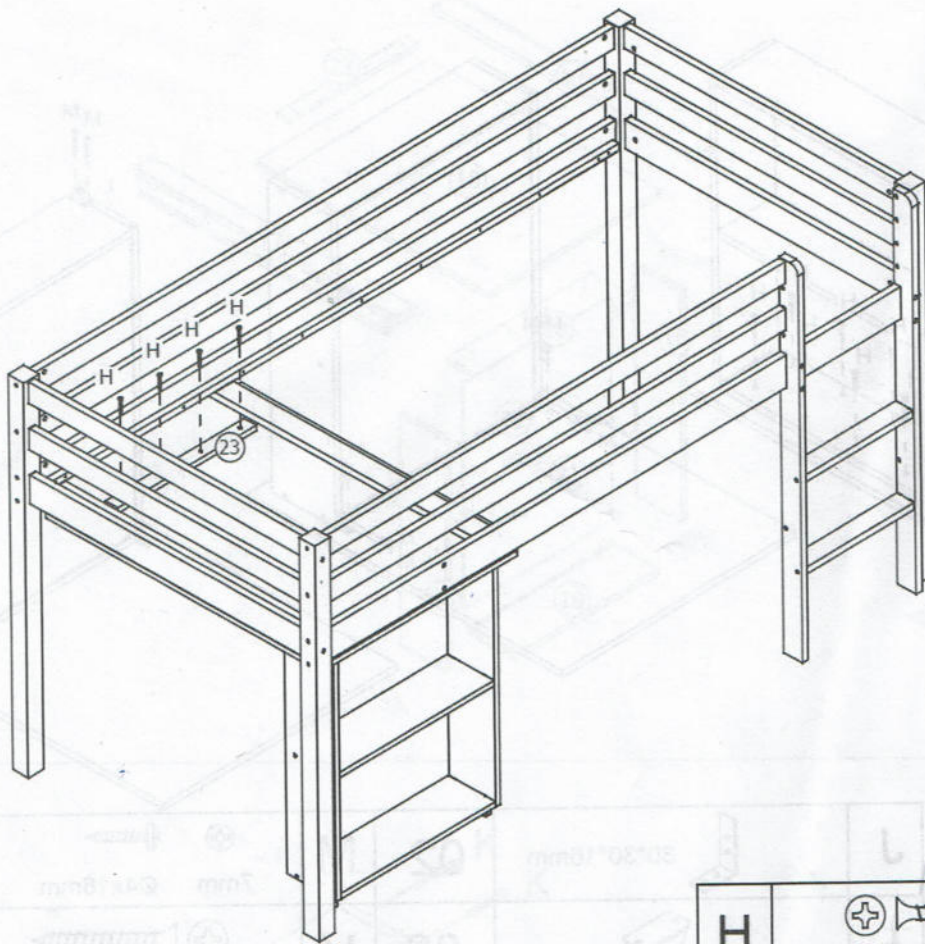
K	 10mm	 Ø7x60mm	12
---	-----------------------------------------------------------------------------------------------	--------------------------------------------------------------------------------------------------	----



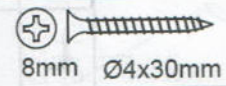
J	 30*30*16mm	02	M	 7mm Ø4x16mm	12
L		02	H	 8mm Ø4x30mm	08



H	 8mm Ø4x30mm	08
---	------------------------------------------------------------------------------------------------------	----

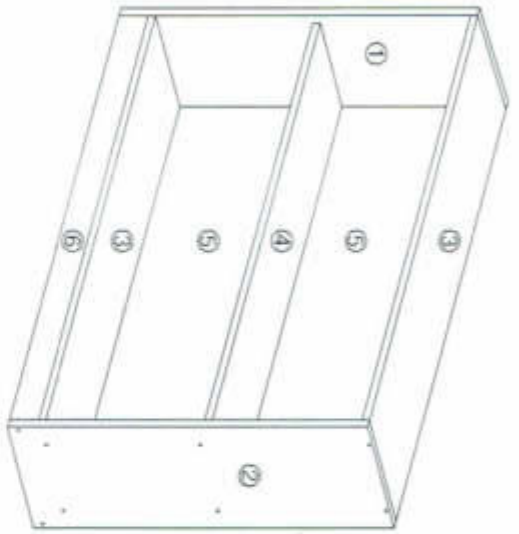


H



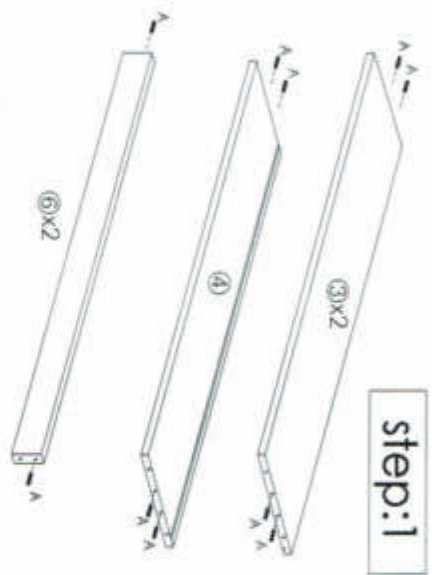
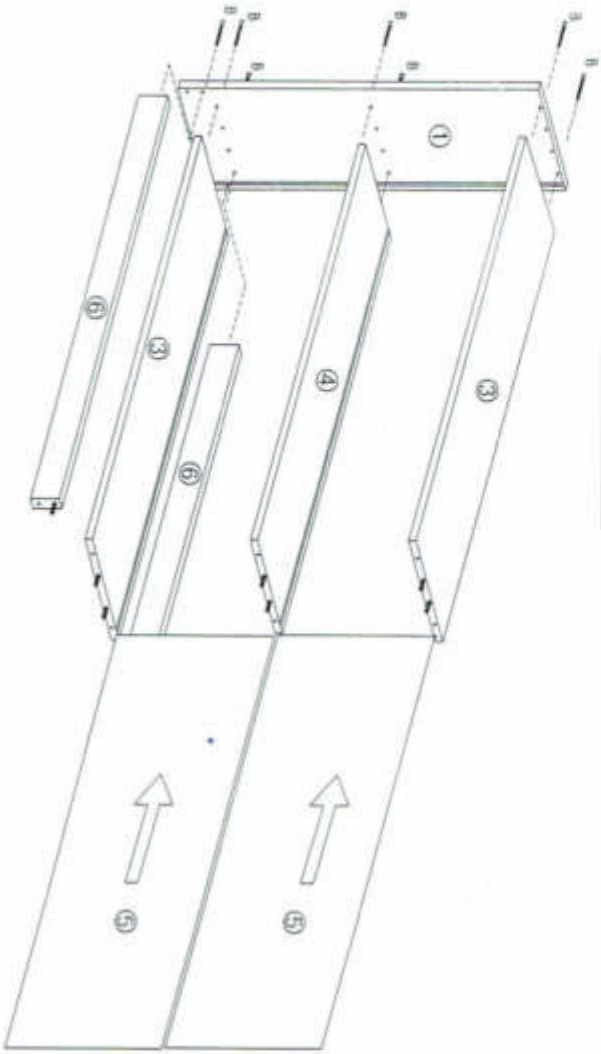
8mm Ø4x30mm

04



step: 2

A		ø8x30	16
B		ø6x50	16



step: 1

step: 3

